



H A Harman International Company

PR 81

Portable Wireless Receiver

Description

Traditionally, the video taping of a roving announcer with a microphone has required an audio cable to the video camera. This practice limits the range of camera movement, making it difficult for the announcer to move around during field assignments. The PR 81 solves this problem by providing a small receiving unit that can be strapped to the battery-powered camera, giving both camera operator and announcer complete freedom to move about as needed. In typical use, the announcer's microphone is received by the stationary receiving station; at the same time, a PR 81 mounted on the video camera provides local audio feed to that camera. A manual squelch control is necessary because of the high RF environment in which the PR 81 may be used.

The PR 81 is a small unit weighing only 2.8 ounces, and as such the video camera operator will hardly be aware of it. The unit operates on the true diversity principle and has all of the control functions that are found in the SR 81.

Specifications

Receiver type:	Diversity
Carrier frequency range:	710 MHz to 737.2 MHz
Antenna inputs:	2 permanently attached 1/4 wave diversity antennae
Modulation type:	FM
Input sensitivity:	Typical -95 dB
Squelch threshold:	Manual adjustment
Audio bandwidth:	50 to 20,000 Hz
THD at 1 kHz:	<0.8%
Signal-to-noise:	>108 dB (A-weighted)
Audio outputs:	Unbalanced line (pin 2): -6 dBm into 600 ohms headphones (pin 3): 30 mW into 15 to 100 ohms
Battery life:	>6 hours (2 x 1.5V AA)
Dimensions:	3.625 x 2.462 x .812 in. (92 x 65 x 20 mm)
Weight:	2.8 ounces (80 g)
Standard Accessories:	PR 81/880/*: Portable receiver with handheld transmitter and D 880 microphone capsule w/hard plastic case

PR 81/417/*: Portable receiver with
pocket transmitter and C 417 Lavalier
microphone w/hard plastic case

Both sets include 1/8" and XLR
camera audio inputs and a "Y"
adapter for headphone use



Features

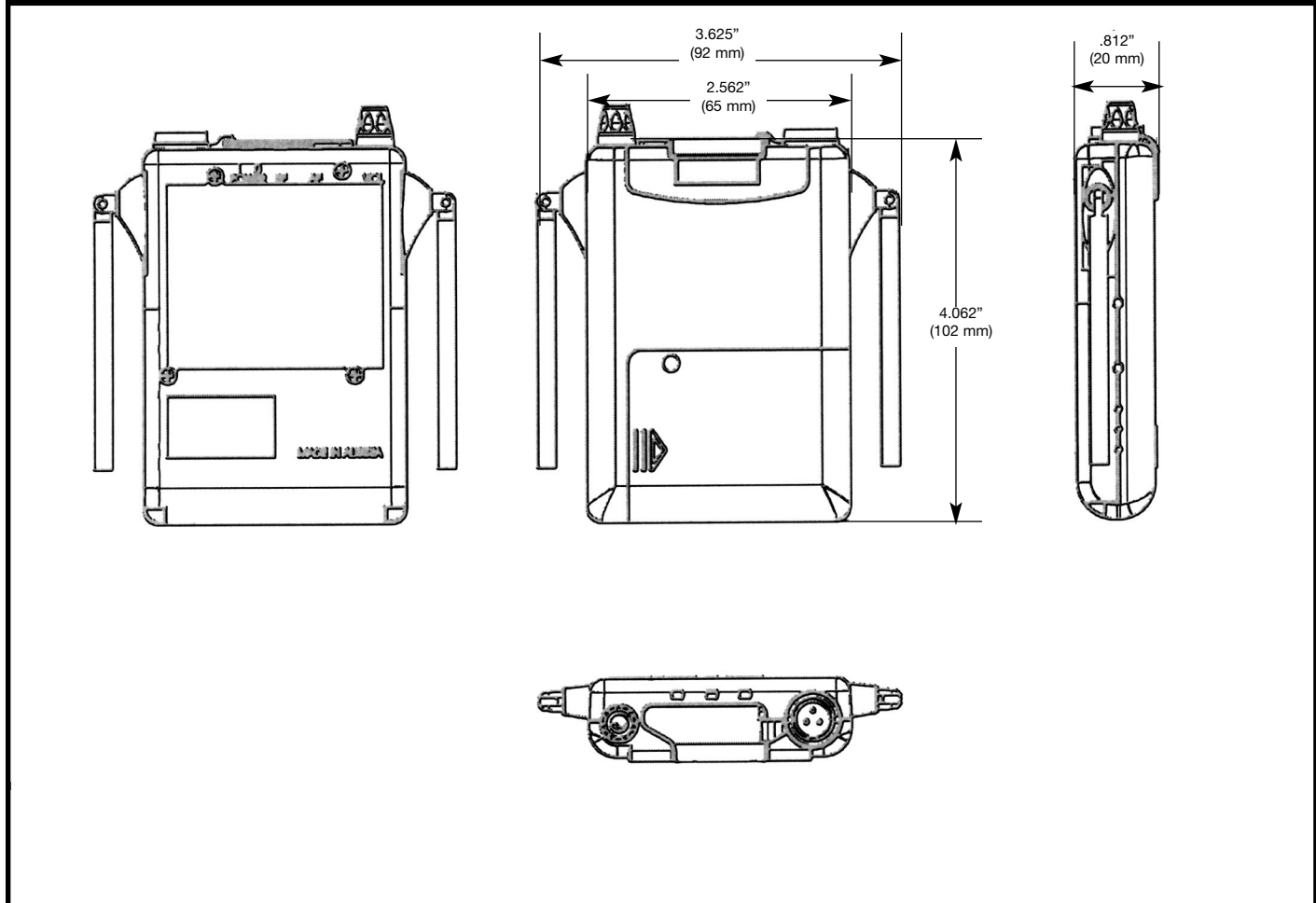
- Eliminates dependence on wired microphones
- True diversity reception for best audio performance
- Operates over UHF range from 710 to 732.2 MHz
- Very small size and weight
- Battery life in excess of 6 hours

Architects and Engineers Specifications

The portable wireless receiver shall operate over the UHF frequency range from 710-737.2 MHz and shall weigh no more than 2.8 ounces (80 grams). An integral squelch control shall provide for quiet operation in high RF environments. The receiver shall operate on the diversity principal. The receiver shall have at

least two outputs: line level at -6 dBV into a load no less than 600 ohms, and headphone output capability of at least 30 mW into a load no less than 100 ohms. The portable wireless receiver shall be the AKG Acoustics Model PR 81.

Graphical Data



AKG is constantly improving and modifying its products, therefore, specifications are subject to change without notice.

Limited Warranty

Valid only in the United States. AKG Acoustics warrants AKG products against defects in material or workmanship for a period of two years from the date of original purchase for use, and agrees to repair or, at our option, replace any defective unit without charge for either parts or labor. Important: This warranty does not cover damage resulting from accident, misuse or abuse, lack of reasonable care, the affixing of any attachment not provided with the product, loss of parts or connecting the product to any but the specified receptacles. This warranty is void unless service or repairs are performed by an authorized service center. No responsibility is assumed for any special, incidental

or consequential damages. However, the limitation of any right or remedy shall not be effective where such is prohibited or restricted by law. Simply take or ship your AKG product prepaid to our service department. Be sure to include your sales slip as proof of purchase date. (We will not repair transit damage under the no-charge terms of this warranty.) Note: No other warranty, written or oral is authorized by AKG Acoustics, Inc. This warranty gives you specific legal rights, and you may also have other rights which vary from state to state. Some states do not allow the exclusion or limitation of incidental or consequential damages or limitation on how long an implied warranty lasts, so the above exclusions and limitation may not apply to you.

Microphones · Headphones · Wireless Microphones · Wireless Headphones · Headsets · Electroacoustical Components



H A Harman International Company

AKG Acoustics GmbH
Lemböckgasse 21-25, P.O.B. 158, A-1230
Vienna/AUSTRIA
Tel: (43 1) 86 654-0*, Fax: (43 1) 86 654-516
Internet: <http://www.akg.com>

AKG Acoustics; A Division of Harman Pro Germany
Bodenseestraße 228, D-81243 München/GERMANY
Tel: (089) 87 16-0, Fax: (089) 87 16-200

Arbiter Pro Audio
Wilberforce Road, London NW9 6AX/ENGLAND
Tel: (0181) 202 1199, Fax: (0181) 202 7076

AKG ACOUSTICS, U.S.
914 Airpark Center Drive
Nashville, TN 37217, U.S.A.
Tel: (615) 620-3800, Fax: (615) 620-3875

Studer Japan Ltd.
2-43-7, Uehara, Shibuya-ku, Tokyo 151-0064/JAPAN
Tel: (813) 3465-2211, Fax: (813) 3465-2214

Erikson Pro Audio
620 McCaffrey, St-Laurent, Quebec, H4T 1N1, CANADA
Tel: (514) 738-3000, Fax: (514) 737-5069
Internet: www.jam-ind.com/eriksonpro