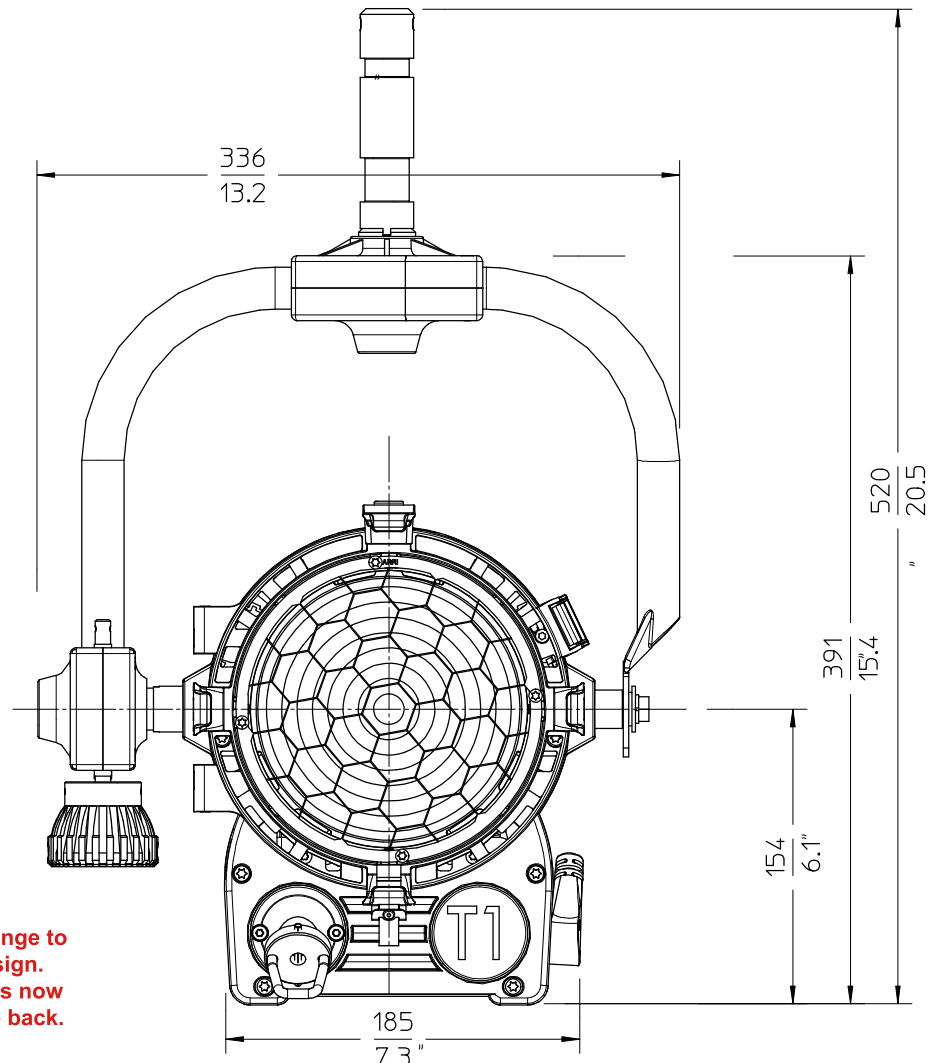
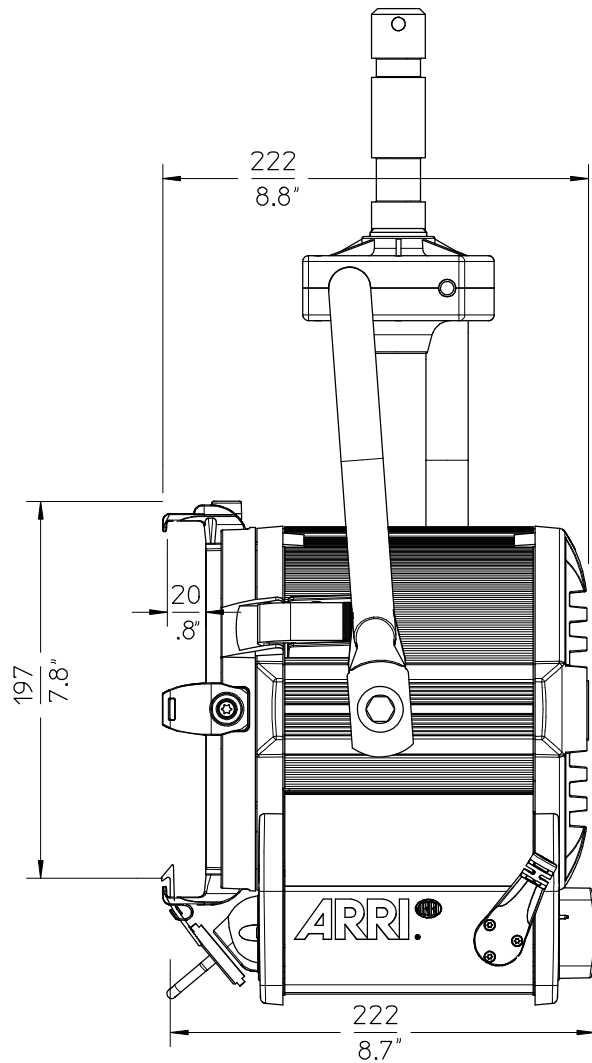


Schutzvermerk nach DIN34 beachten



**Attention!**  
Please note a change to  
the product design.  
The cable outlet is now  
positioned in the back.

Scheinwerfertyp type of lamphead	ARRI TRUE BLUE T1-PO	Packmass packed size	-390x390x360 mm -15,3x15,3x14,1 "		Ident Nr.:	Gewicht		Packgewicht		
Leuchtmittel lamp	230V:FK3(CP/71,CP/40)	Packvolumen packed volume	-54,7 l -1,9 ft3		L1.39610	kg.	lbs.	kg.	lbs.	
Lampensockel lamp base	G22	Linse lenses	Ø 150 mm Ø 6 "			.A	6	13,2	7,5	16,5
Zubehoer accessories	Ø 197 mm Ø 7,75 "	Dateiname file name	T1000_LPE_MB_01			.H	5	11,0	6,5	14,3
Fluegeltor barndoor	Ø 197 mm Ø 7,75 "	Version / Stand version / as at...	1.0/28.02.08			.B	5,5	12,1	7,0	15,4
						.D	5,5	12,1	7,0	15,4
						.J	7,5	16,5	9,0	19,8
					.K	7,5	16,5	9,0	19,8	



Arnold & Richter Cine Technik  
Pulvermuehle  
D-83071 Stephanskirchen