



Single Channel Full Frame 4:2:2 Time Base Corrector

TBC-100

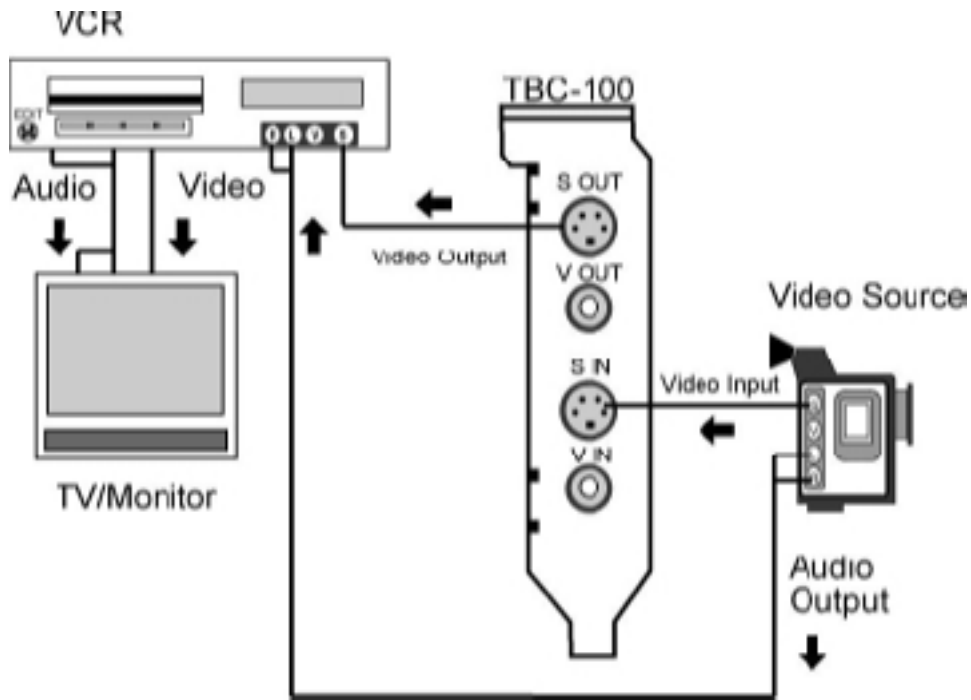


Instruction Manual

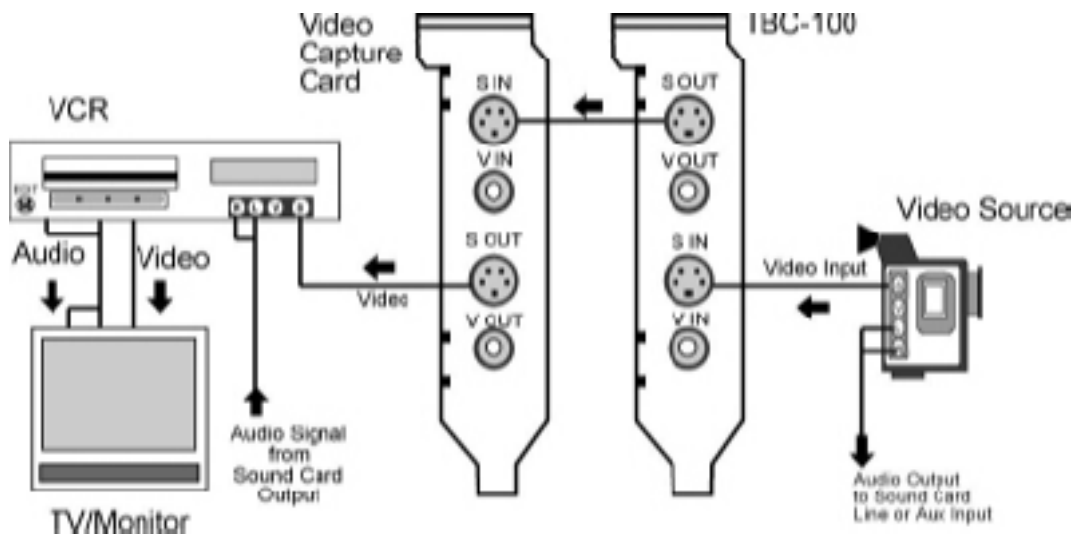
TBC-100 is specially designed for video processing with a PC. Most video camcorders do not produce stable synchronized signals. This can cause poor video image quality when capturing video to your PC. The TBC-100 corrects this problem by replacing all sync signals from the video source with new signals. By using a digital full frame synchronizer, the TBC-100 insures that your video captures are clear and clean.

- Frame synchronization with full frame memory
- Re-generates all synchronization signals to stabilize the video
- Compatible with all formats (VHS, S-VHS, VHS-C, S-VHS-C, Video 8 & Hi8)
- Auto-detects NTSC or PAL format
- Wide bandwidth- 4.5 MHz in Y/C and 3.5 MHz in composite
- 8-bit video resolution – 4:2:2 sampling rate
- DP less than 1 degree – DG less than 2%
- Low noise – S/N ratio >50dB

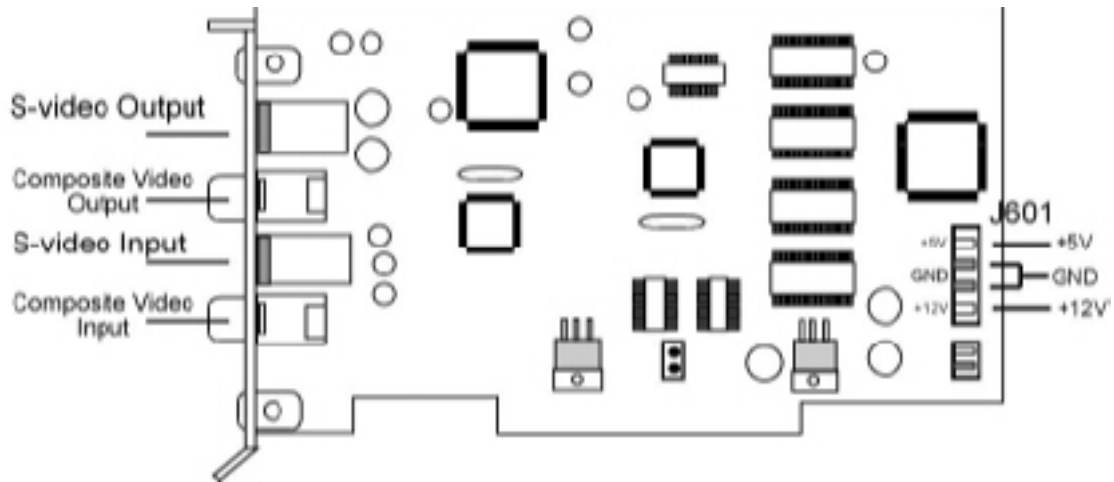
Typical Installation



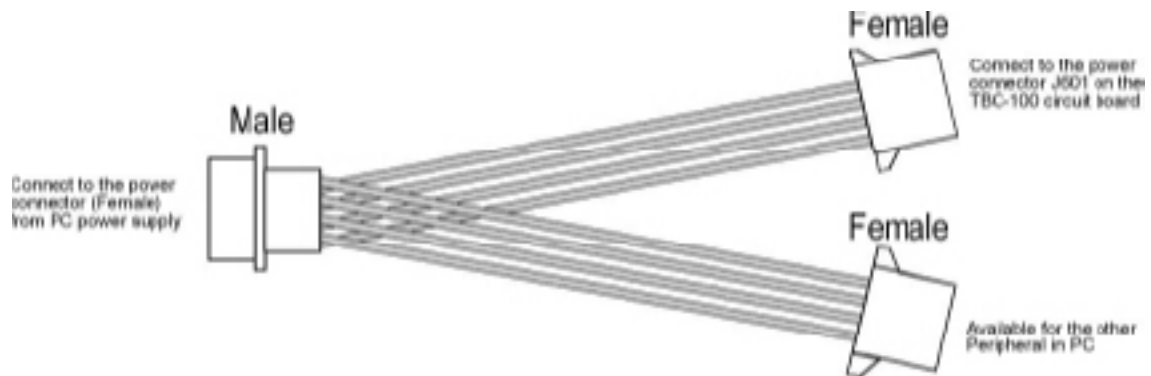
Installation with a Capture Card



Connection



1. If you connect both S-video and composite video sources to the TBC-100, the card will automatically default to S-video. For composite video, you can not plug in an S-video input.
2. DC power input connector J601, use the enclosed "Pigtail" connector to connect the power source from PC power supply to the TBC-100 Pigtail Extension Connector (included)



3. TBC-100 supplies both S-video and Composite video outputs for either S-video or Composite video input.

Installation

1. Turn off PC.
2. Disconnect power cord from PC.
3. Insert the TBC-100 into any PCI slot in your PC.
4. Use a "pigtail" connector to hook up the power connector from your PC power supply to TBC-100 dual power input socket J601 (Label on card diagram). If you do not have an extra power supply, see your dealer or a qualified technician for assistance.
5. Install the video equipment as shown in installation diagram.
6. The TBC-100 is a stand alone circuit board, therefore software is not required.

NOTE: The installation of the TBC-100 requires you to make a connection To your PC's power supply. If you are not sure how to do this, contact your dealer or a qualified technician for installation.

Specifications

INPUTS

S (Y/C) Video & Composite
Video Source

Y/C in: 4—pin 75 ohm DIN connector
Composite Video Out: 75 ohm RCA
Connector, Level: 1.0 Vp-p

OUTPUTS

S (Y/C) Video & Composite
Composite Video Source

Y/C out: 4—pin 75 ohm DIN connector
Composite Video Out: 75 ohm RCA
Connector, Level: 1.0 Vp-p/ unity

GENERAL

Frequency Response
DG, DP
S/N Ratio
Component
Correction Range
Video System
Power Requirement
Ambient Temperature
Ambient Humidity
Accessories

S-Video 4.5 MHz +/-3dB
+/-2 %, 1
>50dB
YUV 4:2:2 8-bit, Y: 13.5 MHz
Single Channel full frame TBC
PAL/NTSC system auto detect
DC +5V/700mA & +12V/150mA
32 - 131 F (0 - 55 C)
Less than 90%
RCA & S-Video Cables Power Extension
Connector (Pigtail)