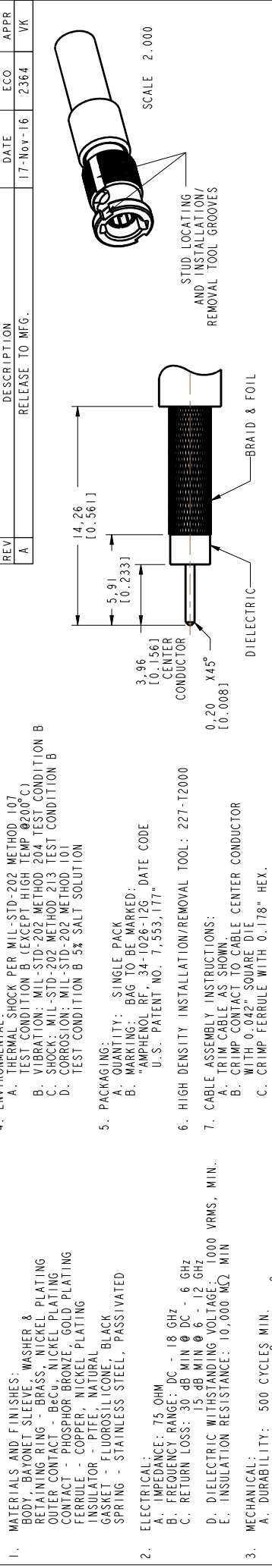


THIRD ANGLE PROJ.		REVISIONS	
REV	DESCRIPTION	DATE	ECO
A	RELEASE TO MFG.	17-Nov-16	2364
			VK



**RECOMMENDED CABLE STRIPPING DIMENSIONS**



**NOTES:**

- MATERIALS AND FINISHES:**  
BODY, BAYONET SLEEVE, WASHER & RETAINING RING - BRASS, NICKEL PLATING  
OUTER CONTACT - BRASS, NICKEL PLATING  
CONTACT - PHOSPHOR BRONZE, GOLD PLATING  
FERRULE - COPPER, NICKEL PLATING  
INSULATOR - PIPE, NATURAL  
GASKET - FLUOROSILICONE, BLACK  
SPRING - STAINLESS STEEL, PASSIVATED
- ELECTRICAL:**  
A. IMPEDANCE: 75 OHM  
B. FREQUENCY RANGE: DC - 18 GHz  
C. RETURN LOSS: 30 dB MIN @ DC - 6 GHz  
15 dB MIN @ 6 - 12 GHz  
D. DIELECTRIC WITHSTANDING VOLTAGE: 1000 VRMS, MIN.  
E. INSULATION RESISTANCE: 10,000 MΩ MIN
- MECHANICAL:**  
A. DURABILITY: 500 CYCLES MIN.  
B. TEMPERATURE RANGE: -65°C TO +165°C

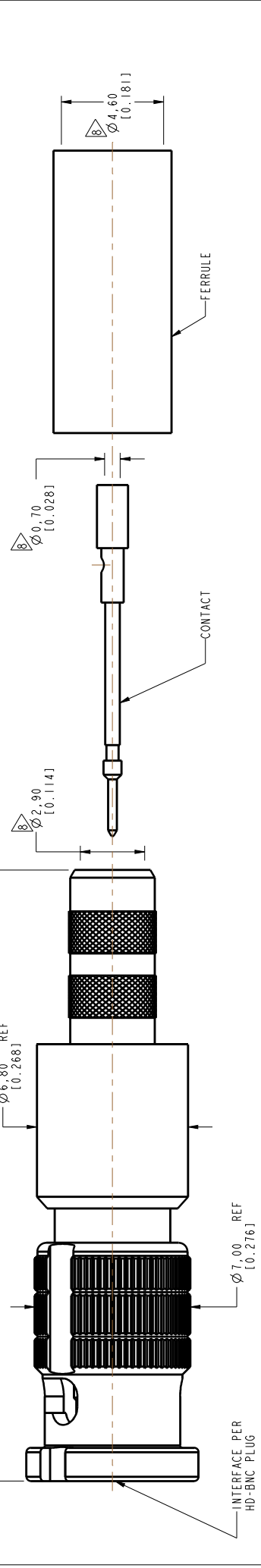
**4. ENVIRONMENTAL:**  
A. THERMAL SHOCK PER MIL-STD-202 METHOD 107 TEST CONDITION B (EXCEPT HIGH TEMP @200°C)  
B. VIBRATION: MIL-STD-202 METHOD 204 TEST CONDITION B  
C. SHOCK: MIL-STD-202 METHOD 213 TEST CONDITION B  
D. CORROSION: MIL-STD-202 METHOD 101 TEST CONDITION B 5% SALT SOLUTION

**5. PACKAGING:**  
A. QUANTITY: SINGLE PACK  
B. MARKING: BAG TO BE MARKED:  
"AMPHENOL RF, 34-1026-126 DATE CODE U.S. PATENT NO. 7,553,177"

**6. HIGH DENSITY INSTALLATION/REMOVAL TOOL: 227-T2000**

**7. CABLE ASSEMBLY INSTRUCTIONS:**  
A. TRIM CABLE AS SHOWN  
B. CRIMP CONTACT TO CABLE CENTER CONDUCTOR  
C. CRIMP FERRULE WITH 0.178" HEX.

**RECOMMENDED CABLE STRIPPING DIMENSIONS.**



PROTECTED UNDER U.S. PATENT # 7,553,177		CUSTOMER OUTLINE DRAWING	
UNLESS OTHERWISE SPECIFIED, DIMENSIONS ARE IN METRIC AND TOLERANCES ARE:		ALL OTHER SHEETS ARE FOR INTERNAL USE ONLY	
<math>\pm 0.5mm</math>	0.5 - 6mm	<math>\pm 0.1mm</math>	6 - 30mm
<math>\pm 0.3mm</math>	30 - 120mm	<math>\pm 0.2mm</math>	120mm - 1.5m
<p>NOTICE - These drawings, specifications, or other data (1) are, and remain the property of Amphenol Corp. (2) must be returned upon request; and (3) are confidential and not to be disclosed to any person other than those to whom they are given by Amphenol Corp. The furnishing of these drawings, specifications, or other data by Amphenol Corp., or to any other person to anyone for any purpose is to be regarded as implying the acceptance of any manufacturing, drawing, or other data by the recipient. Amphenol Corp. does not warrant, guarantee, or accept any liability for any product, process or design, patented or otherwise, that may in any way be related to or disclosed by said drawings, specifications, or other data.</p>			
DRAWN MADHAN G		DATE 01-Jul-16	
ENGINEER MADHAN G		DATE 01-Jul-16	
APPROVED K. CAPOZZI		DATE 17-Nov-16	
CAD FILE		CONFIGURATION LEVEL: In Work	
FINISH		REFERENCE EAR # 3984	
SEE NOTES		MATERIAL	
TITLE HD-BNC STR PLUG FOR BELDEN 1855A CABLE		DWG SIZE B	
Amphenol RF		SCALE: 5.8:1.0 SHEET 2 OF 2	
www.amphenolrf.com		REV A	
DRAWING NO. 34-1026-126		ITEM NO. 34-1026-126	
PART NO. 34-1026-126			