



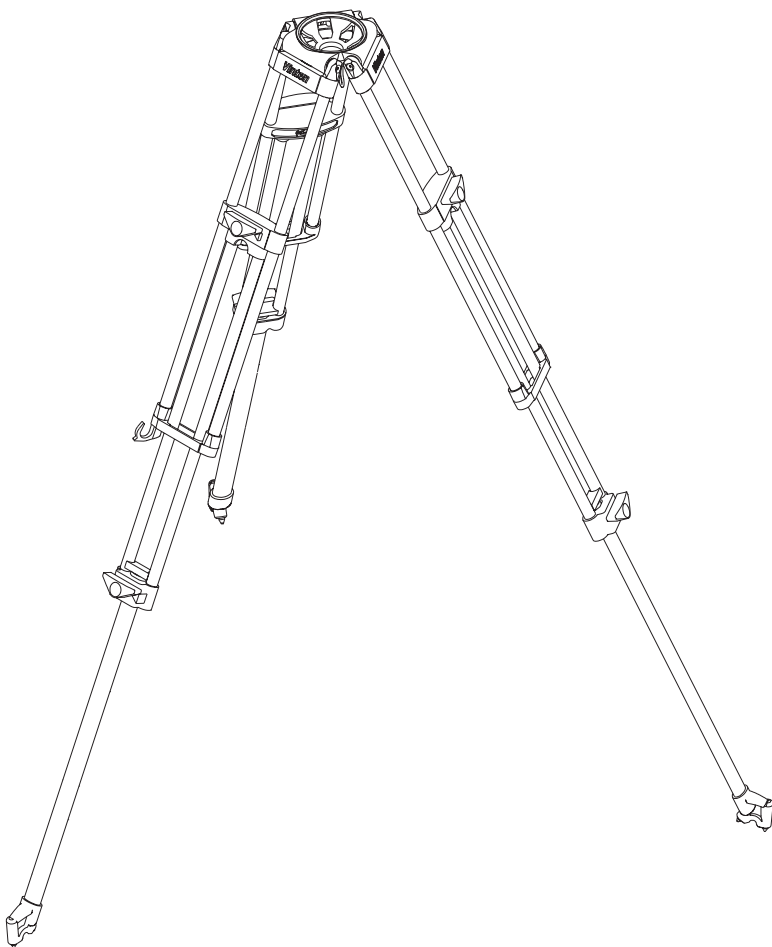
Next
Page

Previous
View



Vision Pozi-Loc Tripods

Spares & Repairs



Maintenance Manual



VISION POZI-LOC TRIPODS

SPARES & REPAIRS

PUBLICATION PART No. 3770-9

ISSUE 5

Copyright © Vinten Broadcast Limited 2005

All rights reserved throughout the world. No part of this document may be stored in a retrieval system, transmitted, copied or reproduced in any way including, but not limited to, photocopy, photograph, magnetic or other record without the prior agreement and permission in writing of Vinten Broadcast Limited.

Vinten, Vision and Quickfit are registered trademarks of Vinten Broadcast Limited.

Foreword

Part 1 of this manual provides detailed spare parts information for Vinten Vision 'Pozi-Loc' tripods. The various products are listed in Part Number order. A list of consumables, such as adhesives and lubricants, appears on [page 7](#).

Part 2 contains repair procedures.

To order spare parts or to obtain further information, application should be made to Vinten Broadcast Limited or to your local distributor, or visit our website at www.vinten.com.

NOTE: Information contained in this document is subject to change. Vinten Broadcast Ltd reserves the right, without notice, to make changes in equipment design or performance as progress in engineering, manufacturing or technology may warrant.

Notes to readers





This is the on-line version of 'Vision Pozi-Loc Tripods - Spares and Repairs' (3770-9). Readers should be aware that the pagination differs between on-line and printed versions.

Navigation

Clicking the mouse on any [blue text](#) will move you around the document. For example, if you click on one of the blue call-outs on an exploded drawing, you will be taken to the appropriate line in the relevant parts list.

[Contents](#)

Clicking here will take you to the Contents Page.

-  Clicking here will take you to the first page.
-  Clicking here will take you to the previous page.
-  Clicking here will take you to the next page.
-  Click here to go back to the previous view.

Alternatively, you may use the Acrobat Reader navigation buttons.

Contents

	Page
Foreword	3
Notes to readers	4
Adhesives and Lubricants	7
Part 1 - Illustrated Parts Lists	
Carrying Strap Assembly (3425-3)	9
Two-Stage Pozi-Loc ENG Tripod (100 mm Bowl, Aluminium Legs) (3770-3)	11
Two-Stage Leg Assembly (3770-11)	13
Single-Stage Pozi-Loc ENG Tripod (100 mm Bowl, Aluminium Legs) (3771-3)	16
Single-Stage Leg Assembly (3771-11)	18
Two-Stage Pozi-Loc ENG Tripod (100 mm Bowl, Carbon Fibre Legs) (3772-3)	20
Two-Stage Leg Assembly (Carbon Fibre) (3772-11)	22
Single-Stage Pozi-Loc ENG Tripod (100 mm Bowl, Carbon Fibre Legs) (3773-3)	25
Single-Stage Leg Assembly (Carbon Fibre) (3773-11)	27
Two-Stage Pozi-Loc ENG Tripod (75 mm Bowl, Aluminium Legs) (3774-3)	29
Single-Stage Pozi-Loc ENG Tripod (75 mm Bowl, Aluminium Legs) (3775-3)	31
Two-Stage Pozi-Loc ENG Tripod (75 mm Bowl, Carbon Fibre Legs) (3776-3)	33
Single-Stage Pozi-Loc ENG Tripod (75 mm Bowl, Carbon Fibre Legs) (3777-3)	35
Pozi-Loc Baby Legs ENG Tripod (100 mm Bowl) (3778-3)	37
Pozi-Loc Baby Legs ENG Tripod (75 mm Bowl) (3779-3)	39
Two-Stage Leg Assembly (Baby legs) (3778-11)	41
Single-Stage Pozi-Loc ENG 2 Metre Tripod (100 mm Bowl, Aluminium Legs) (3796-3)	44
Extended Leg Assembly (3771-51)	46
Pozi-Loc EFP Tripod (150 mm Bowl, Aluminium Legs) (3880-3)	48
Leg Assembly (Aluminium EFP Tripod) (3880-11)	50
Leg Assembly - Lined Leg (Aluminium EFP Tripod) (3880-12)	53
Pozi-Loc EFP Tripod (150 mm Bowl, Carbon Fibre Legs) (3881-3)	56
Leg Assembly (Carbon Fibre EFP Tripod) (3881-11)	58
Leg Assembly - Lined Leg (Carbon Fibre EFP Tripod) (3881-12)	61
Pozi-Loc Baby Legs EFP Tripod (150 mm Bowl) (3882-3)	64
Leg Assembly (Baby Legs EFP Tripod) (3882-11)	66
Pozi-Loc EFP Tripod (100 mm Bowl, Aluminium Legs) (3883-3)	69
Leg Assembly (Aluminium EFP Tripod) (3883-11)	71
Leg Assembly - Lined Leg (Aluminium EFP Tripod) (3883-12)	74
Pozi-Loc EFP Tripod (100 mm Bowl, Carbon Fibre Legs) (3884-3)	77
Leg Assembly (Carbon Fibre EFP Tripod) (3884-11)	79
Leg Assembly - Lined Leg (Carbon Fibre EFP Tripod) (3884-12)	82

Contents (Cont)	Page
Part 2 - Repairs	
Identifying modified bottom clamps	86
Adjusting 'Pozi-Loc' leg clamps	89
Replacing the components of the top clamp assembly (ENG and EFP tripods)	92
Replacing the components of the bottom clamp assembly (two-stage ENG tripods)	94
Replacing the components of the bottom clamp assembly (two-stage EFP tripods)	98
Replacing tripod legs (ENG tripods)	102
Replacing tripod legs (100 mm EFP tripods)	104
Replacing tripod legs (150 mmEFP tripods)	106
Installing a carrying strap	108



Adhesives and Lubricants

1 Adhesives and lubricants are indicated on each illustration by letter. These letters are standard throughout the manual and refer to the table below.

NOTE: Adhesives and lubricants are not supplied by Vinten Broadcast Ltd and should be obtained under local arrangements.

Letter	Vinten Part No.	Item
A	Z002-026	Adhesive, screwlock, Loctite 221
B	Z002-086	Adhesive, instant, rubber & plastics, Loctite 406 Prism
C	Z150-085	Lubricant, grease, bearing, white
D	Z150-105	Lubricant, grease, white, Chesterton



First
Page



Previous
Page



Next
Page

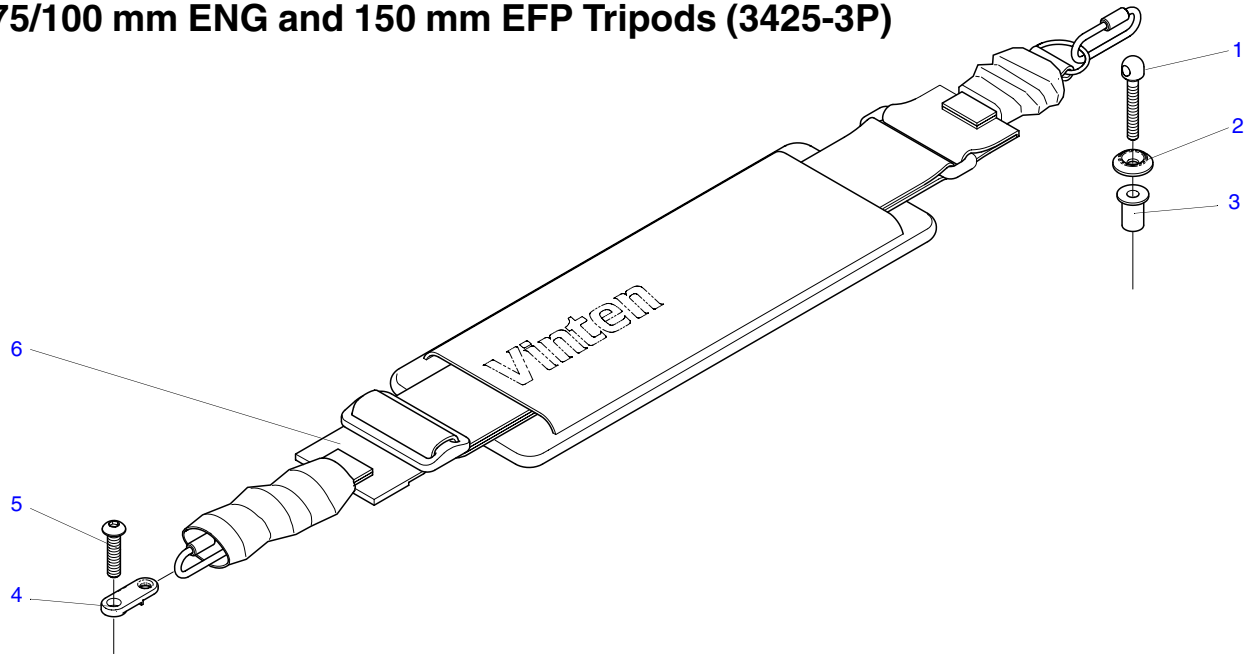


Previous
View

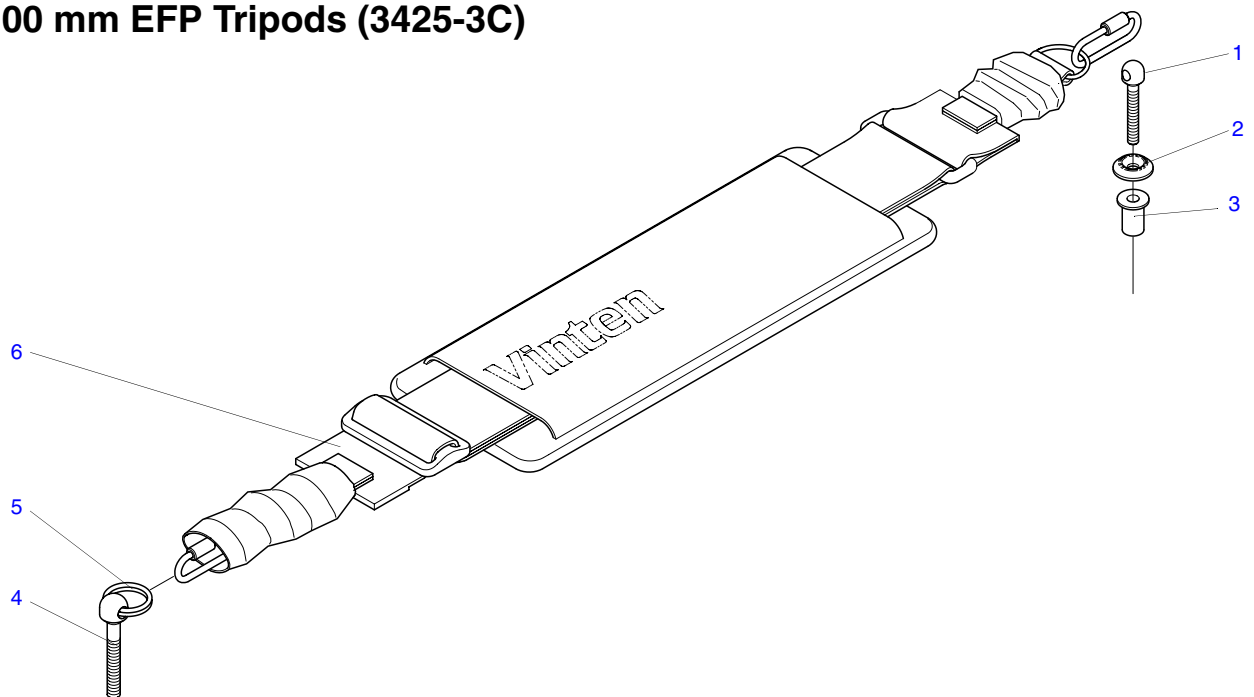
Part 1 - Illustrated Parts Lists

Carrying Strap Assembly (3425-3)

75/100 mm ENG and 150 mm EFP Tripods (3425-3P)



100 mm EFP Tripods (3425-3C)



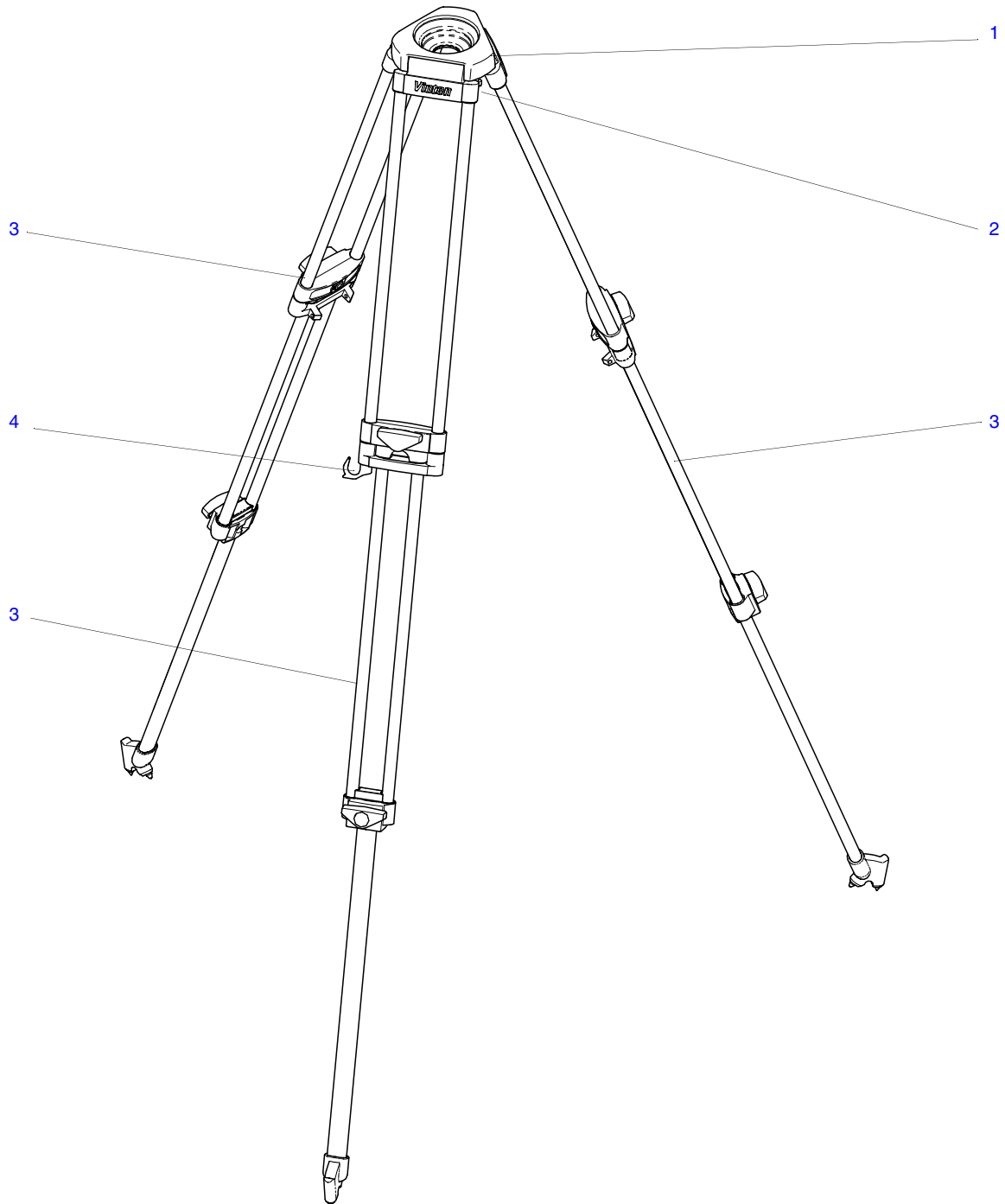
Carrying Strap Assembly - 75/100 mm ENG and 150 mm EFP Tripods (3425-3P)

Item No.	Part No.	Item	Qty
1	3425-201	Strap anchor	1
2	M606-001	Washer, skiffy, 07-3-5	1
3	M500-083	Well-nut, M5	1
4	3425-210	Strap Anchor	1
5	M007-524	Screw, button head, socket, M6 x 25 mm long	1
6	3425-11	Strap - Vinten	1

Carrying Strap Assembly - 100 mm EFP Tripods (3425-3C)

Item No.	Part No.	Item	Qty
1	3425-201	Strap anchor	1
2	M606-001	Washer, skiffy, 07-3-5	1
3	M500-083	Well-nut, M5	1
4	3425-207	Strap anchor (EFP.)	1
5	3425-202	Split ring	1
6	3425-11	Strap - Vinten	1

Two-Stage Pozi-Loc ENG Tripod (100 mm Bowl, Aluminium Legs) (3770-3)





First
Page



Previous
Page



Next
Page

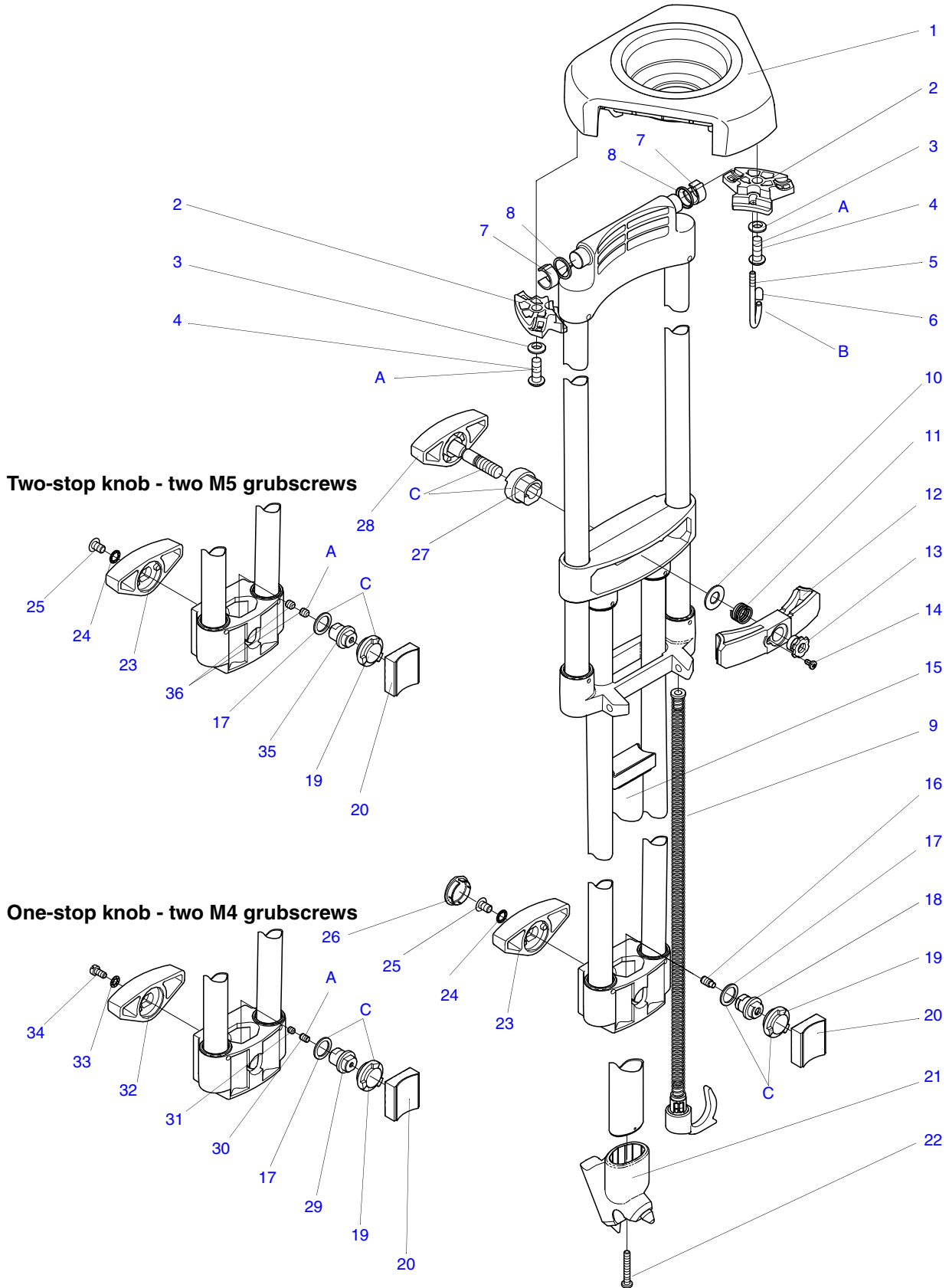


Previous
View

Two-Stage Pozi-Loc ENG Tripod (100 mm Bowl, Aluminium Legs) (3770-3)

Item No.	Part No.	Item	Qty
1	3498-15	Bowl Assembly (100mm) (see page 13)	1
2	3498-322	Hook (see page 13)	1
3	3770-11	Two-stage leg assembly (see page 13)	3
4	3310-12	Strap assembly (see page 13)	1

Two-Stage Leg Assembly (3770-11)



2_ST_75.2

See page 7 for letter key to adhesives and lubricants



Two-Stage Leg Assembly (3770-11)

Item No.	Part No.	Item	Qty
1	3498-15	Bowl Assembly (100mm) 3770-3	1
	3774-15	Bowl assembly (75mm) - 3774-3	1
2	3498-321	Leg Pivot Clamp	3
3	3498-338	Spherical Washer	3
4	M007-506	Screw, button head, socket, M6 x 20 mm long	3
5	3498-322	Hook.	1
6	J550-112	Cap, tube, dome type, to fit over 3.2 mm diameter	1
7	3498-226	Leg Pivot Friction Ring	6
8	3498-229	Leg Pivot Washer.	6
9	3310-12	Strap assembly - one per tripod	
	3770-11	Two-stage leg assembly - replaceable parts as follows:	
10	M600-106	Washer, plain, light, M8	1
11	J532-076	Spring, compression, 0.625 in. free length, 0.480 in. OD x 0.500 in. hole dia., 22.00 lbf/in. rate	1
12	3513-13	Upper clamp assembly	1
13	3392-205	Threaded insert (upper rear)	1
14	L101-026	Screw, self-tapping, pan head, pozidrive, No.4 x 1/4 in. long, type bt	1
15	3770-901SP	Centre leg tube assembly	1
16	M006-813	Screw, grub, dog point, socket head, M5 x 10 mm long	1
17	3770-213	Washer-Lower clamp	1
18	3770-18	Clamp shaft assembly (lower)	1
19	3770-17	Clamp cam follower	1
20	3770-13	Lower clamp assembly	1
21	3770-16	Two-stage foot assembly	1
22	M101-003	Screw, self-tapping, pan head, pozidrive, M4 x 25 mm long	1
23	3770-229	Bottom Clamp Knob (Two Stops)	1
24	M601-010	Washer, shakeproof, internal, M5	1
25	M006-515	Screw, button head, socket, M5 x 8 mm long	1
26	3770-206	Knob cap, lower clamp knob	1
27	3770-219	Top clamp cam insert	1
28	3770-14	Upper clamp knob assembly	1

Two-Stage Leg Assembly (3770-11) (Cont)

Item No.	Part No.	Item	Qty
----------	----------	------	-----

NOTE: The design of the bottom clamp has been modified twice.
 At the following serial numbers, the knobs changed from “one stop” to “two stop” and the shaft thread from M4 to M5. The grubscrews were changed to 2 x M5 x 5 mm
 3770-3 - Serial No. 00758
 3774-3 - Serial No. 01007
 At the following serial numbers, the shaft was fitted with a locking thread insert and the grubscrews were changed to 1 x M5 x 10 mm
 3770-3 - Serial No. 03783
 3774-3 - Serial No. 03757

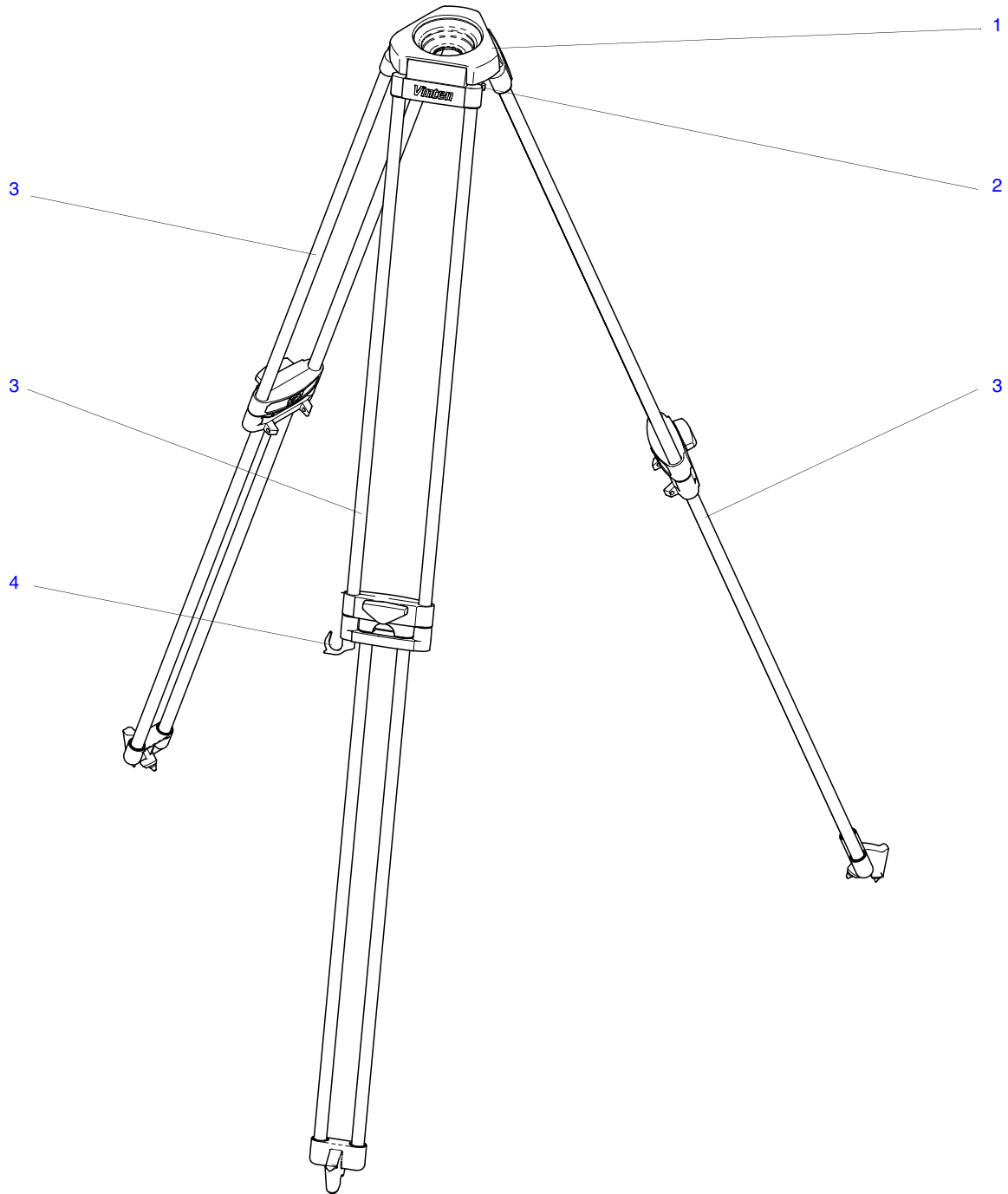
One stop - two M4 grubscrews

17	3770-213	Washer-Lower clamp	1
19	3770-17	Clamp cam follower	1
20	3770-13	Lower clamp assembly	1
29	3770-212	Bottom clamp shaft	1
30	M005-814	Screw, grub, flat point, socket head, M4 x 6 mm long	1
31	M005-812	Screw, grub, knurled cup point, socket head, M4 x 4 mm long	1
32	3770-208	Bottom clamp knob.	1
33	M601-006	Washer, shakeproof, internal, M4	1
34	M005-303	Screw, cheese head, pozidrive, M4 x 8 mm long	1

Two stop - two M5 grubscrews

17	3770-213	Washer-Lower clamp	1
19	3770-17	Clamp cam follower	1
20	3770-13	Lower clamp assembly	1
23	3770-229	Bottom Clamp Knob (Two Stops)	1
24	M601-010	Washer, shakeproof, internal, M5	1
25	M006-515	Screw, button head, socket, M5 x 8 mm long	1
35	3770-231	Bottom Clamp Shaft (M5)	1
36	M006-814	Screw, grub, flat point, skt head, M5 x 5 mm long	2

Single-Stage Pozi-Loc ENG Tripod (100 mm Bowl, Aluminium Legs) (3771-3)





First
Page



Previous
Page



Next
Page

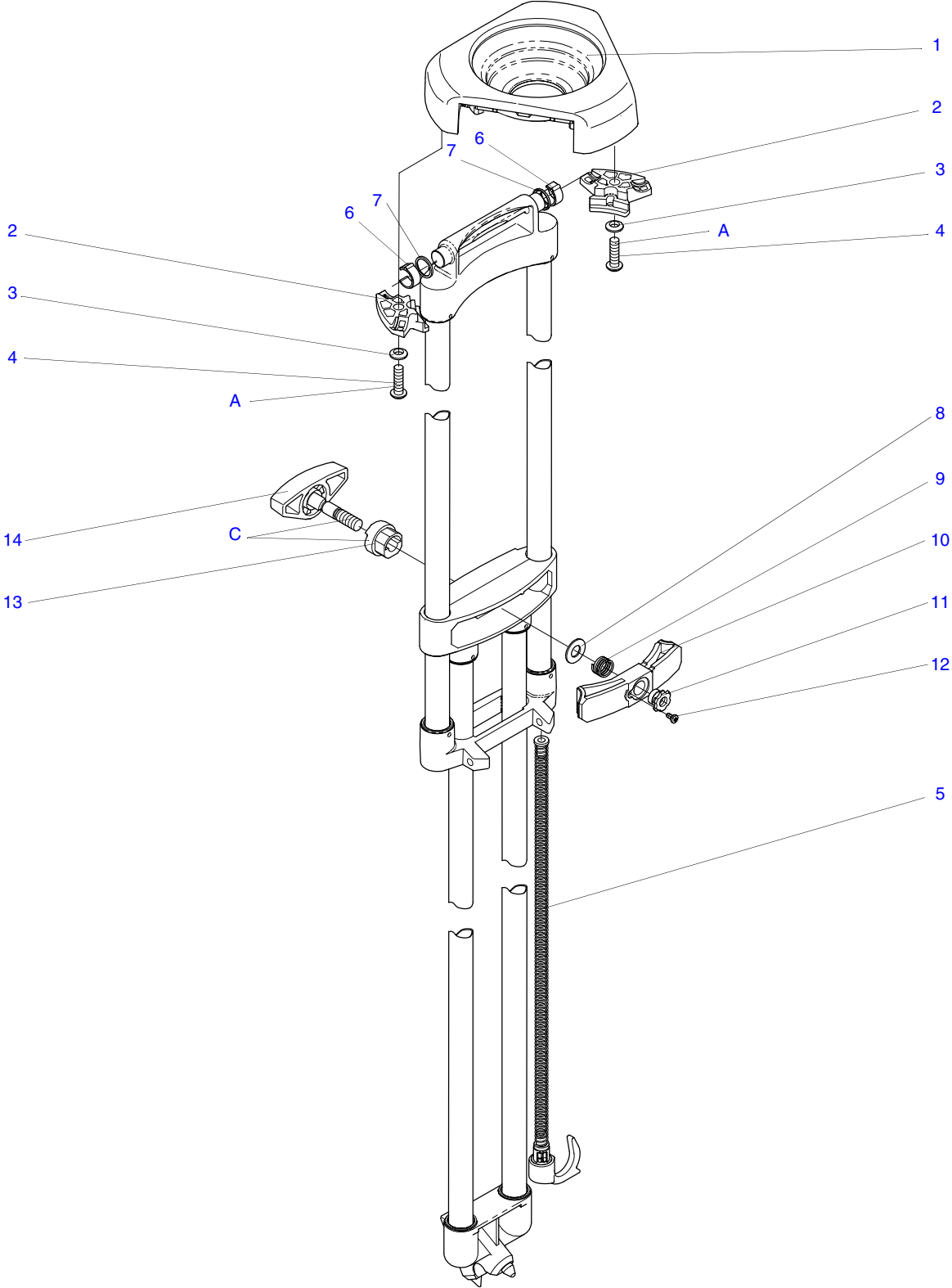


Previous
View

Single-Stage Pozi-Loc ENG Tripod (100 mm Bowl, Aluminium Legs) (3771-3)

Item No.	Part No.	Item	Qty
1	3498-15	Bowl Assembly (100mm) (see page 18)	1
2	3498-322	Hook (see page 18)	1
3	3771-11	Single-stage leg assembly (see page 18)	2
4	3310-12	Strap assembly (see page 18)	1

Single-Stage Leg Assembly (3771-11)



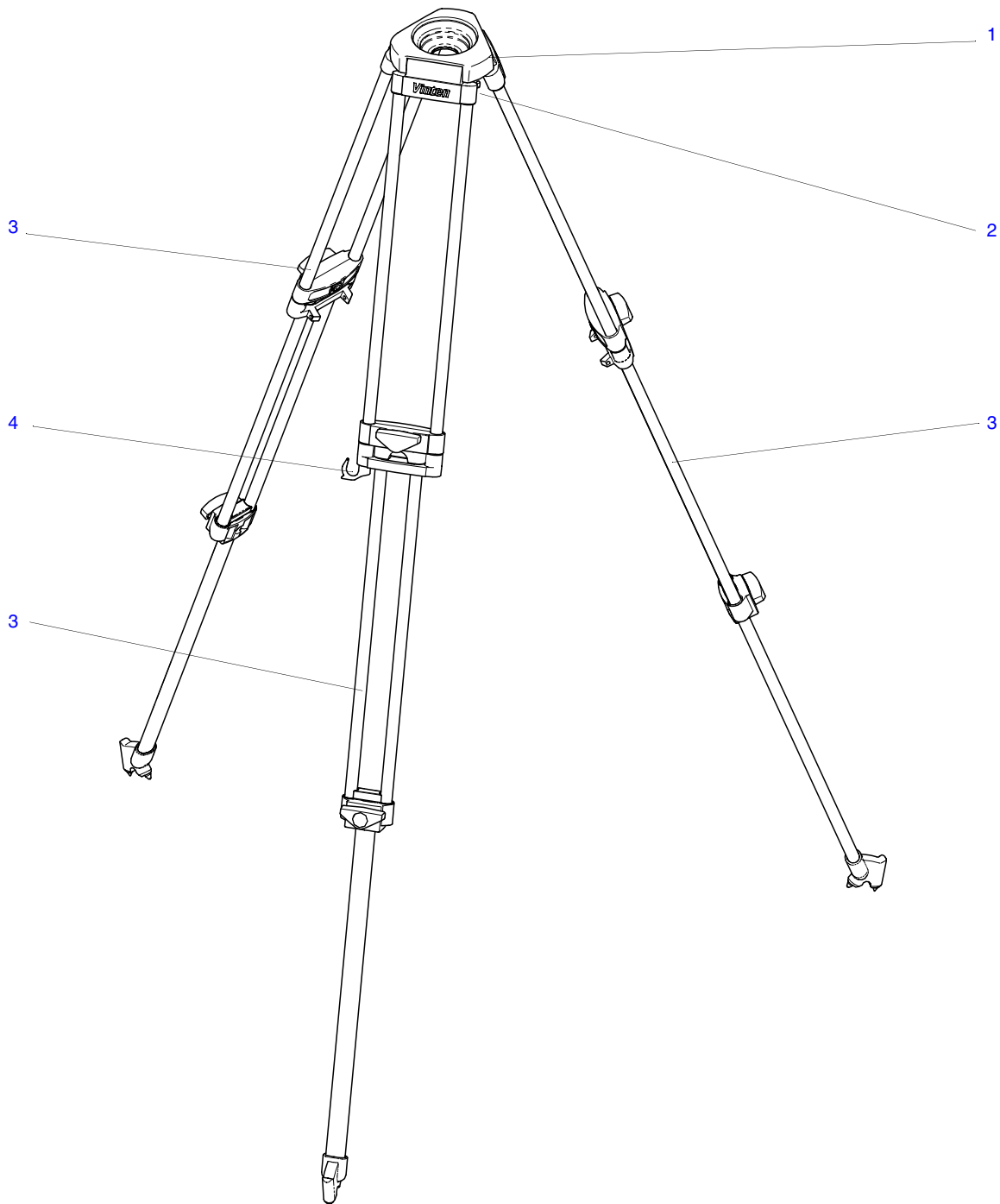
3771_3_IP2

See page 7 for letter key to adhesives and lubricants

Single-Stage Leg Assembly (3771-11)

Item No.	Part No.	Item	Qty
1	3498-15	Bowl Assembly (100mm) - 3771-3 or	1
	3774-15	Bowl assembly (75mm) - 3775-3	1
2	3498-321	Leg Pivot Clamp	3
3	3498-338	Spherical Washer	3
4	M007-506	Screw, button head, socket, M6 x 20 mm long	3
5	3310-12	Strap assembly - one per tripod	1
6	3498-226	Leg Pivot Friction Ring	6
7	3498-229	Leg Pivot Washer.	6
	3771-11	Single-stage leg assembly - replaceable parts as follows:	
8	M600-106	Washer, plain, light, M8	1
9	J532-076	Spring, compression, 0.625 in. free length, 0.480 in. OD x 0.500 in. hole dia., 22.00 lbf/in. rate	1
10	3513-13	Upper clamp assembly	1
11	3392-205	Threaded insert (upper rear)	1
12	L101-026	Screw, self-tapping, pan head, pozidrive, No.4 x 1/4 in. long, type bt	1
13	3770-219	Top clamp cam insert	1
14	3770-14	Upper clamp knob assembly	1

Two-Stage Pozi-Loc ENG Tripod (100 mm Bowl, Carbon Fibre Legs) (3772-3)

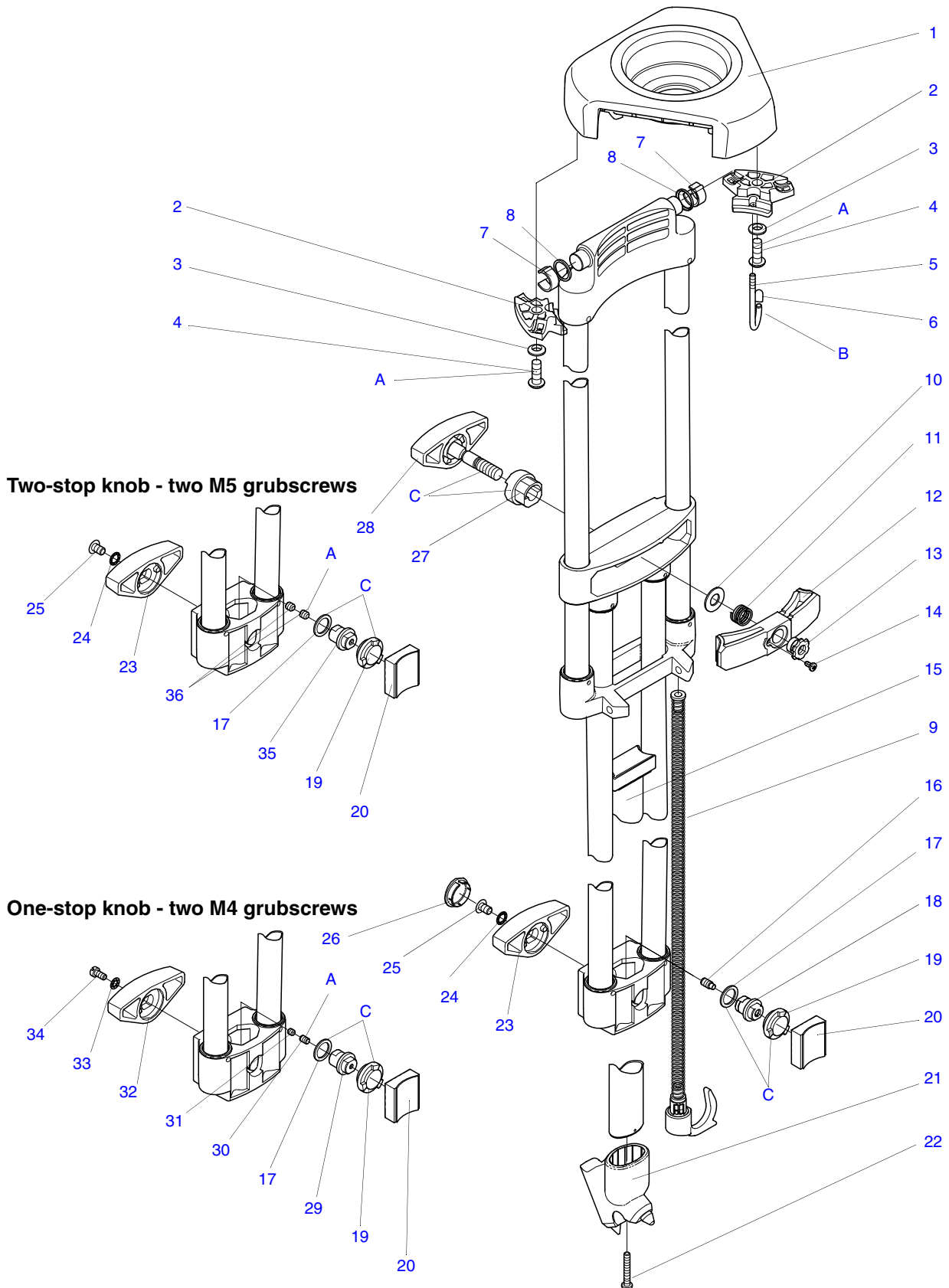




Two-Stage Pozi-Loc ENG Tripod (100 mm Bowl, Carbon Fibre Legs) (3772-3)

Item No.	Part No.	Item	Qty
1	3498-15	Bowl Assembly (100mm) (see page 22)	1
2	3498-322	Hook (see page 22)	1
3	3772-11	Two-stage leg assembly C/F (see page 22)	3
4	3310-12	Strap assembly (see page 22)	1

Two-Stage Leg Assembly (Carbon Fibre) (3772-11)



See [page 7](#) for letter key to adhesives and lubricants

Two-Stage Leg Assembly (Carbon Fibre) (3772-11)

Item No.	Part No.	Item	Qty
1	3498-15	Bowl Assembly (100mm) 3770-3	1
	3774-15	Bowl assembly (75mm) - 3774-3	1
2	3498-321	Leg Pivot Clamp	3
3	3498-338	Spherical Washer	3
4	M007-506	Screw, button head, socket, M6 x 20 mm long	3
5	3498-322	Hook.	1
6	J550-112	Cap, tube, dome type, to fit over 3.2 mm diameter	1
7	3498-226	Leg Pivot Friction Ring	6
8	3498-229	Leg Pivot Washer.	6
9	3310-12	Strap assembly - one per tripod	
	3772-11	Two-stage leg assembly C/F - replaceable parts as follows:	
10	M600-106	Washer, plain, light, M8	1
11	J532-076	Spring, compression, 0.625 in. free length, 0.480 in. OD x 0.500 in. hole dia., 22.00 lbf/in. rate	1
12	3513-13	Upper clamp assembly	1
13	3392-205	Threaded insert (upper rear)	1
14	L101-026	Screw, self-tapping, pan head, pozidrive, No.4 x 1/4 in. long, type bt	1
15	3772-900SP	Centre leg tube assembly (C/F)	1
16	M006-813	Screw, grub, dog point, socket head, M5 x 10 mm long	1
17	3770-213	Washer-Lower clamp	1
18	3770-18	Clamp shaft assembly (lower)	1
19	3770-17	Clamp cam follower	1
20	3770-13	Lower clamp assembly	1
21	3770-16	Two-stage foot assembly	1
22	M101-003	Screw, self-tapping, pan head, pozidrive, M4 x 25 mm long	1
23	3770-229	Bottom Clamp Knob (Two Stops)	1
24	M601-010	Washer, shakeproof, internal, M5	1
25	M006-515	Screw, button head, socket, M5 x 8 mm long	1
26	3770-206	Knob cap, lower clamp knob	1
27	3770-219	Top clamp cam insert	1
28	3770-14	Upper clamp knob assembly	1

Two-Stage Leg Assembly (Carbon Fibre) (3772-11) (Cont)

Item No.	Part No.	Item	Qty
----------	----------	------	-----

NOTE: The design of the bottom clamp has been modified twice.
 At the following serial numbers, the knobs changed from “one stop” to “two stop” and the shaft thread from M4 to M5. The grubscrews were changed to 2 x M5 x 5 mm
 3772-3 - Serial No. 00439
 3776-3 - Serial No. 00337
 At the following serial numbers, the shaft was fitted with a locking thread insert and the grubscrews were changed to 1 x M5 x 10 mm
 3772-3 - Serial No. 04677
 3776-3 - Serial No. 02574

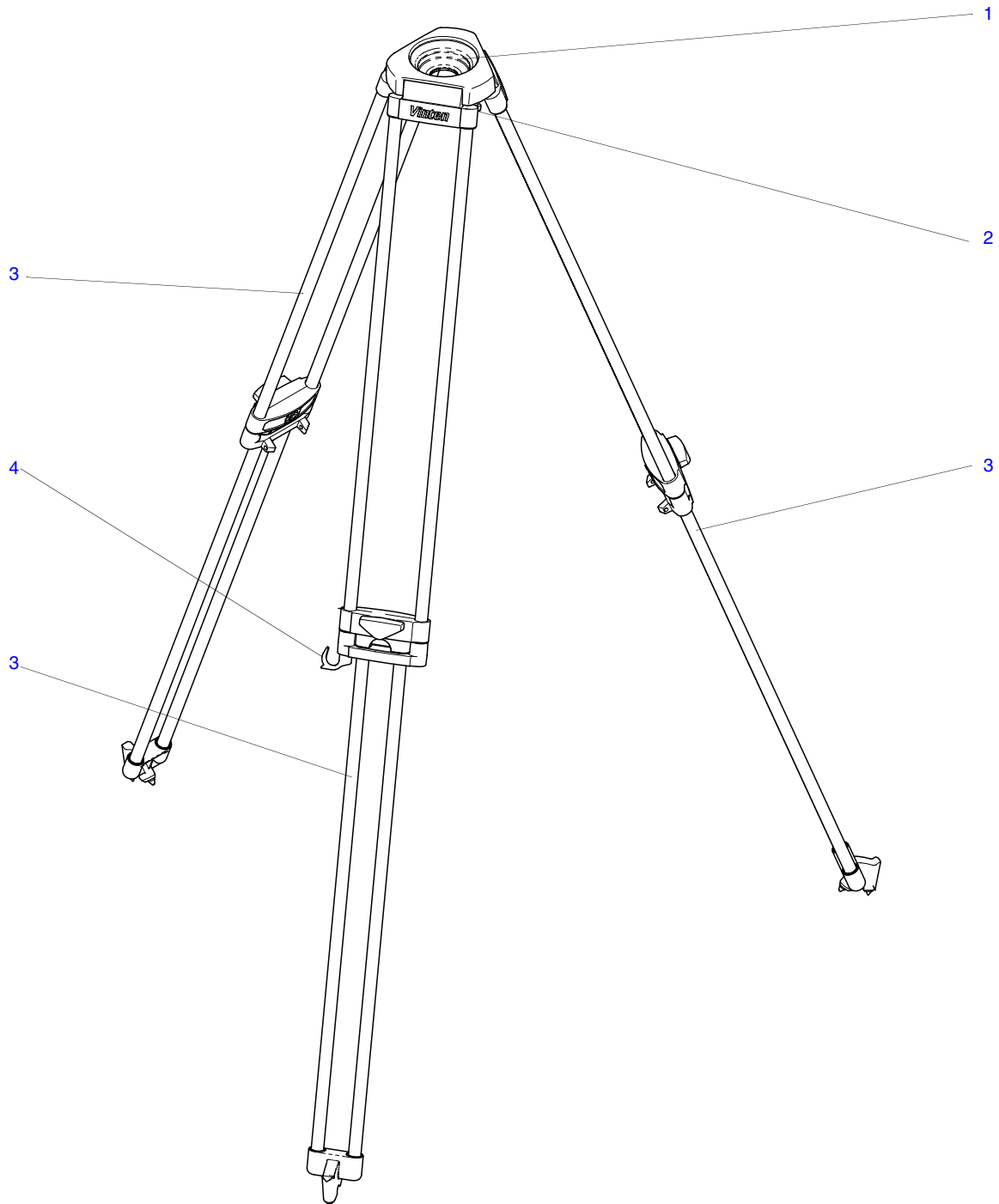
One stop - two M4 grubscrews

17	3770-213	Washer-Lower clamp	1
19	3770-17	Clamp cam follower	1
20	3770-13	Lower clamp assembly	1
29	3770-212	Bottom clamp shaft	1
30	M005-814	Screw, grub, flat point, socket head, M4 x 6 mm long	1
31	M005-812	Screw, grub, knurled cup point, socket head, M4 x 4 mm long	1
32	3770-208	Bottom clamp knob.	1
33	M601-006	Washer, shakeproof, internal, M4	1
34	M005-303	Screw, cheese head, pozidrive, M4 x 8 mm long	1

Two stop - two M5 grubscrews

17	3770-213	Washer-Lower clamp	1
19	3770-17	Clamp cam follower	1
20	3770-13	Lower clamp assembly	1
23	3770-229	Bottom Clamp Knob (Two Stops)	1
24	M601-010	Washer, shakeproof, internal, M5	1
25	M006-515	Screw, button head, socket, M5 x 8 mm long	1
35	3770-231	Bottom Clamp Shaft (M5)	1
36	M006-814	Screw, grub, flat point, skt head, M5 x 5 mm long	2

Single-Stage Pozi-Loc ENG Tripod (100 mm Bowl, Carbon Fibre Legs) (3773-3)

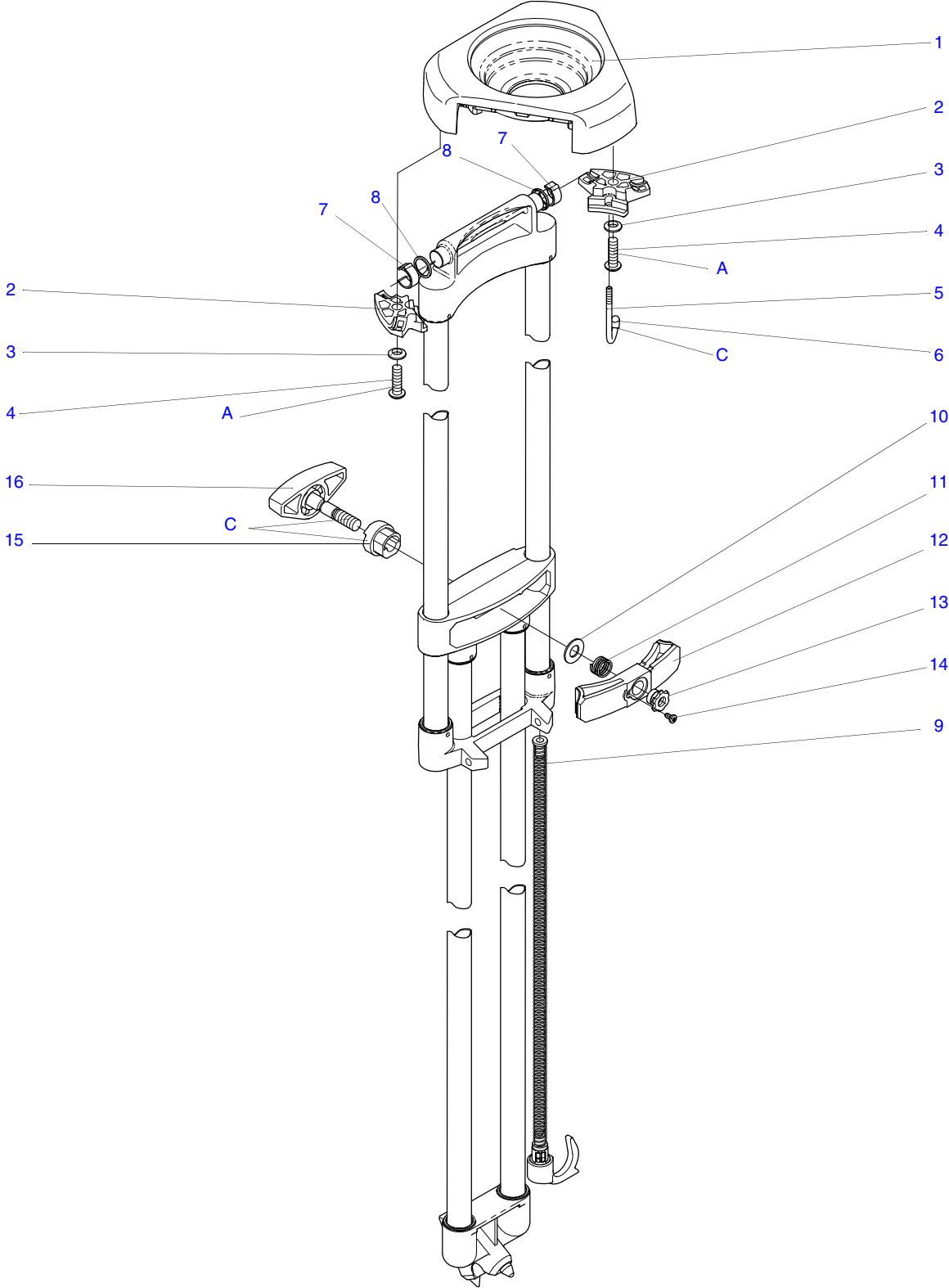




Single-Stage Pozi-Loc ENG Tripod (100 mm Bowl, Carbon Fibre Legs) (3773-3)

Item No.	Part No.	Item	Qty
1	3498-15	Bowl Assembly (100mm) (see page 27)	1
2	3498-322	Hook (see page 27)	1
3	3773-11	Single-stage leg assembly C/F (see page 27)	3
4	3310-12	Strap assembly (see page 27)	1

Single-Stage Leg Assembly (Carbon Fibre) (3773-11)



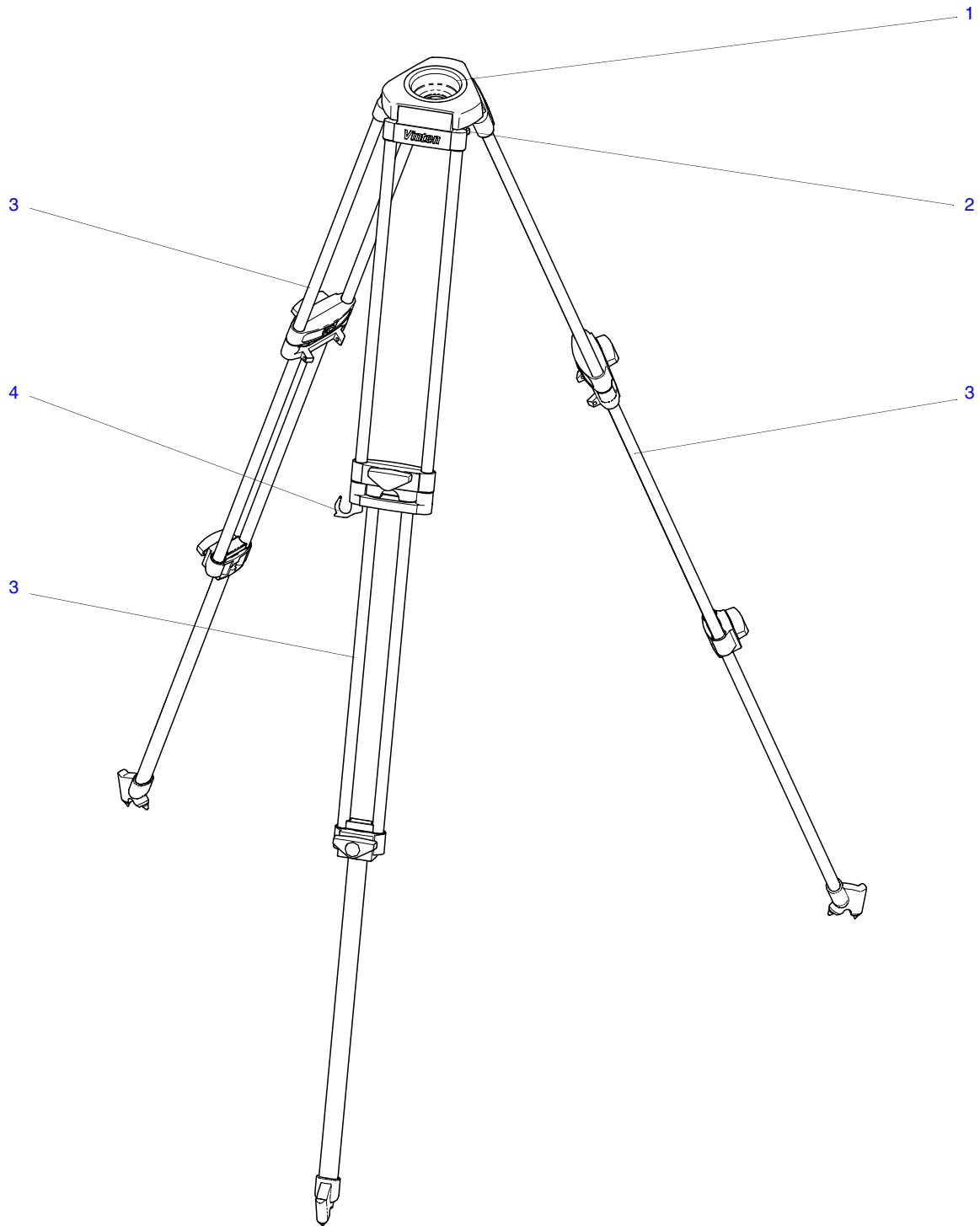
3773_3_IP1

See page 7 for letter key to adhesives and lubricants

Single-Stage Leg Assembly (Carbon Fibre) (3773-11)

Item No.	Part No.	Item	Qty
1	3498-15	Bowl Assembly (100mm) -3773 -3 or	1
	3774-15	Bowl assembly (75mm) - 3777-3	1
2	3498-321	Leg Pivot Clamp	3
3	3498-338	Spherical Washer	3
4	M007-506	Screw, button head, socket, M6 x 20 mm long	3
5	3498-322	Hook	1
6	J550-112	Cap, tube, dome type, to fit over 3.2 mm diameter	1
7	3498-226	Leg Pivot Friction Ring	6
8	3498-229	Leg Pivot Washer.	6
9	3310-12	Strap assembly - one per tripod	1
	3773-11	Single-stage leg assembly C/F - replaceable parts as follows:	
10	M600-106	Washer, plain, light, M8	1
11	J532-076	Spring, compression, 0.625 in. free length, 0.480 in. OD x 0.500 in. hole dia., 22.00 lbf/in. rate	1
12	3513-13	Upper clamp assembly	1
13	3392-205	Threaded insert (upper rear)	1
14	L101-026	Screw, self-tapping, pan head, pozidrive, No.4 x 1/4 in. long, type bt	1
15	3770-219	Top clamp cam insert	1
16	3770-14	Upper clamp knob assembly	1

Two-Stage Pozi-Loc ENG Tripod (75 mm Bowl, Aluminium Legs) (3774-3)





First
Page



Previous
Page



Next
Page

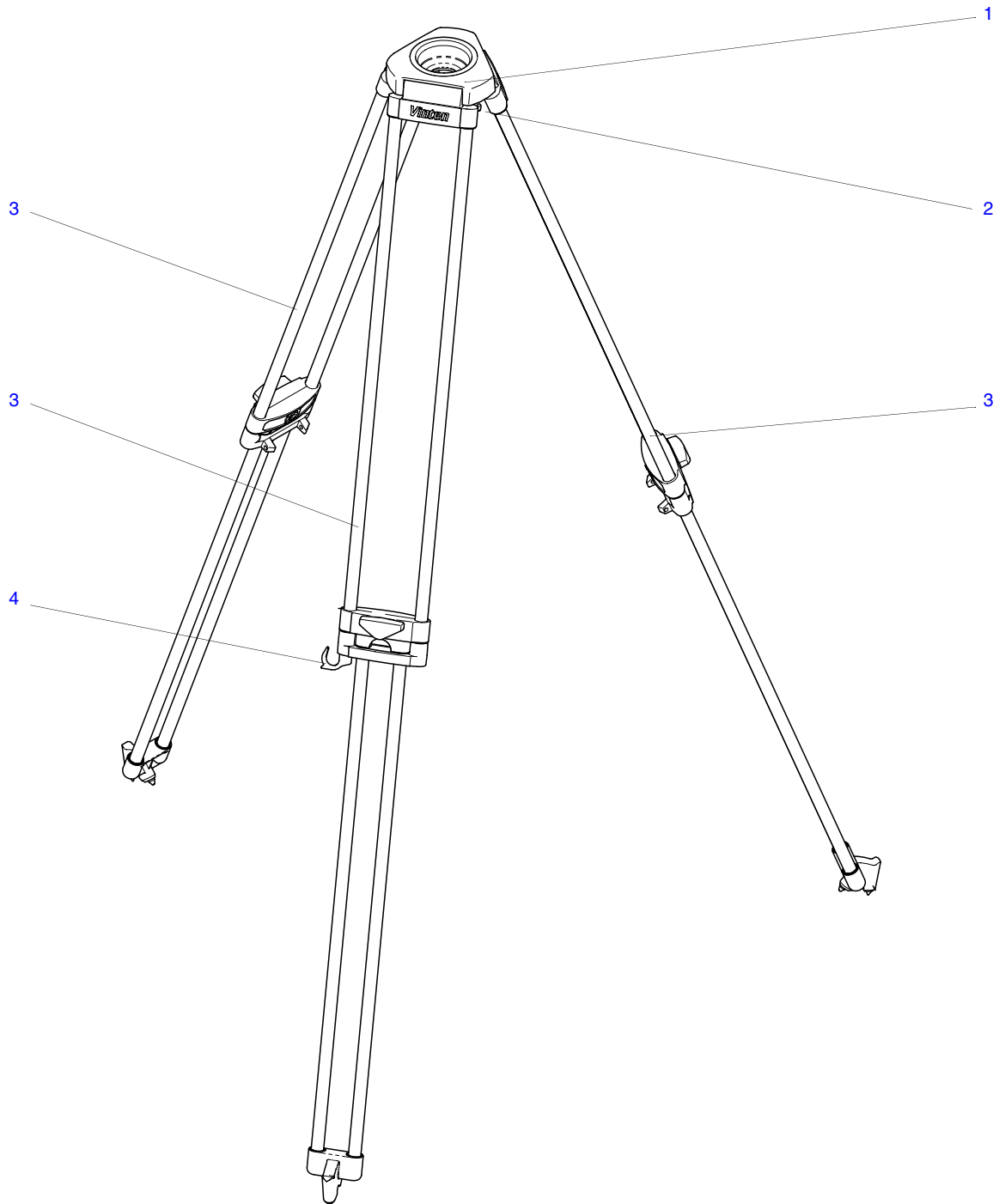


Previous
View

Two-Stage Pozi-Loc ENG Tripod (75 mm Bowl, Aluminium Legs) (3774-3)

Item No.	Part No.	Item	Qty
1	3774-15	Bowl assembly 75mm (see page 13)	1
2	3498-322	Hook (see page 13)	1
3	3770-11	Two-stage leg assembly (see page 13)	3
4	3310-12	Strap assembly (see page 13)	1

Single-Stage Pozi-Loc ENG Tripod (75 mm Bowl, Aluminium Legs) (3775-3)

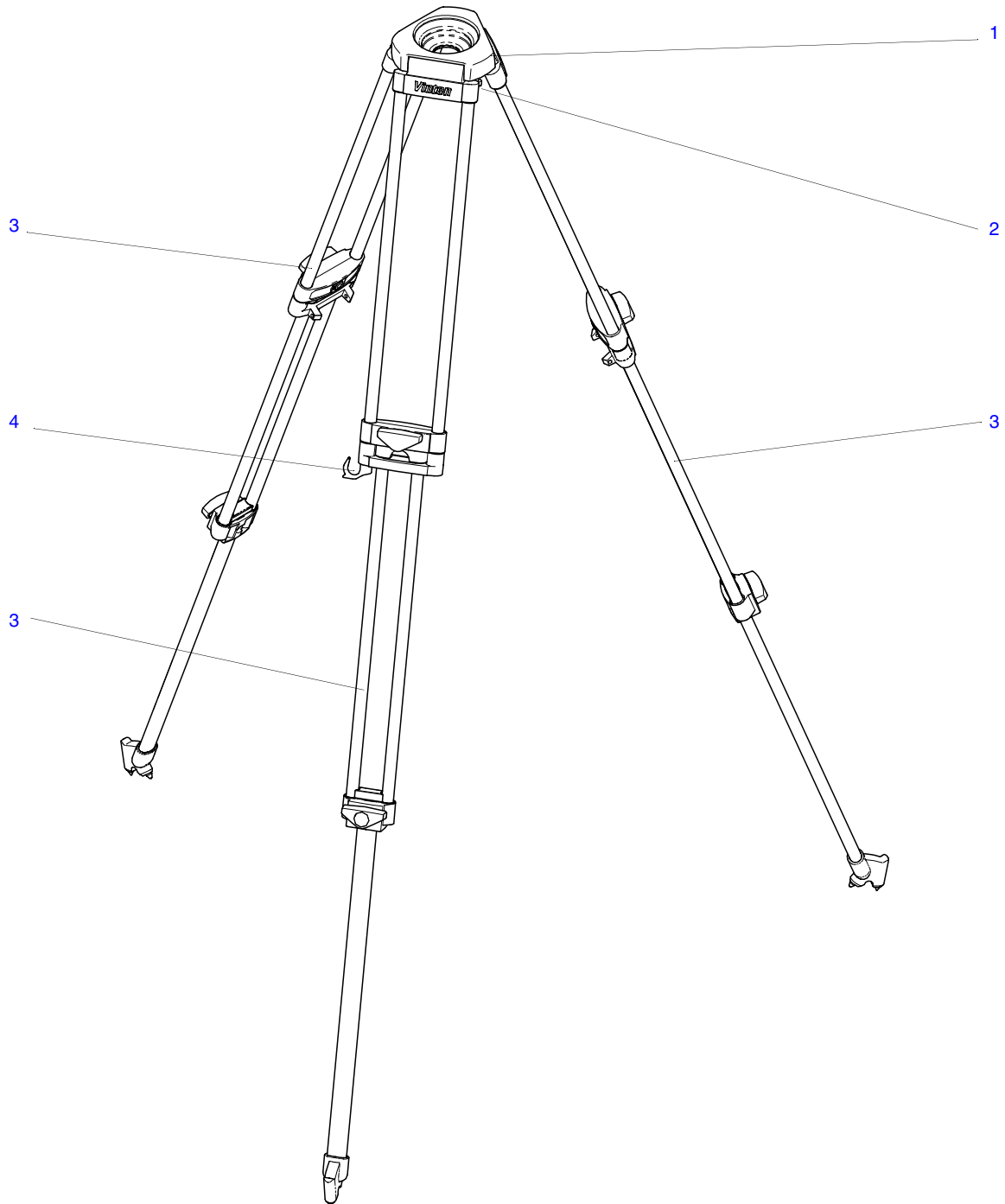




Single-Stage Pozi-Loc ENG Tripod (75 mm Bowl, Aluminium Legs) (3775-3)

Item No.	Part No.	Item	Qty
1	3774-15	Bowl assembly 75mm (see page 18)	1
2	3498-322	Hook (see page 18)	1
3	3771-11	Single-stage leg assembly (see page 18)	3
4	3310-12	Strap assembly (see page 18)	1

Two-Stage Pozi-Loc ENG Tripod (75 mm Bowl, Carbon Fibre Legs) (3776-3)

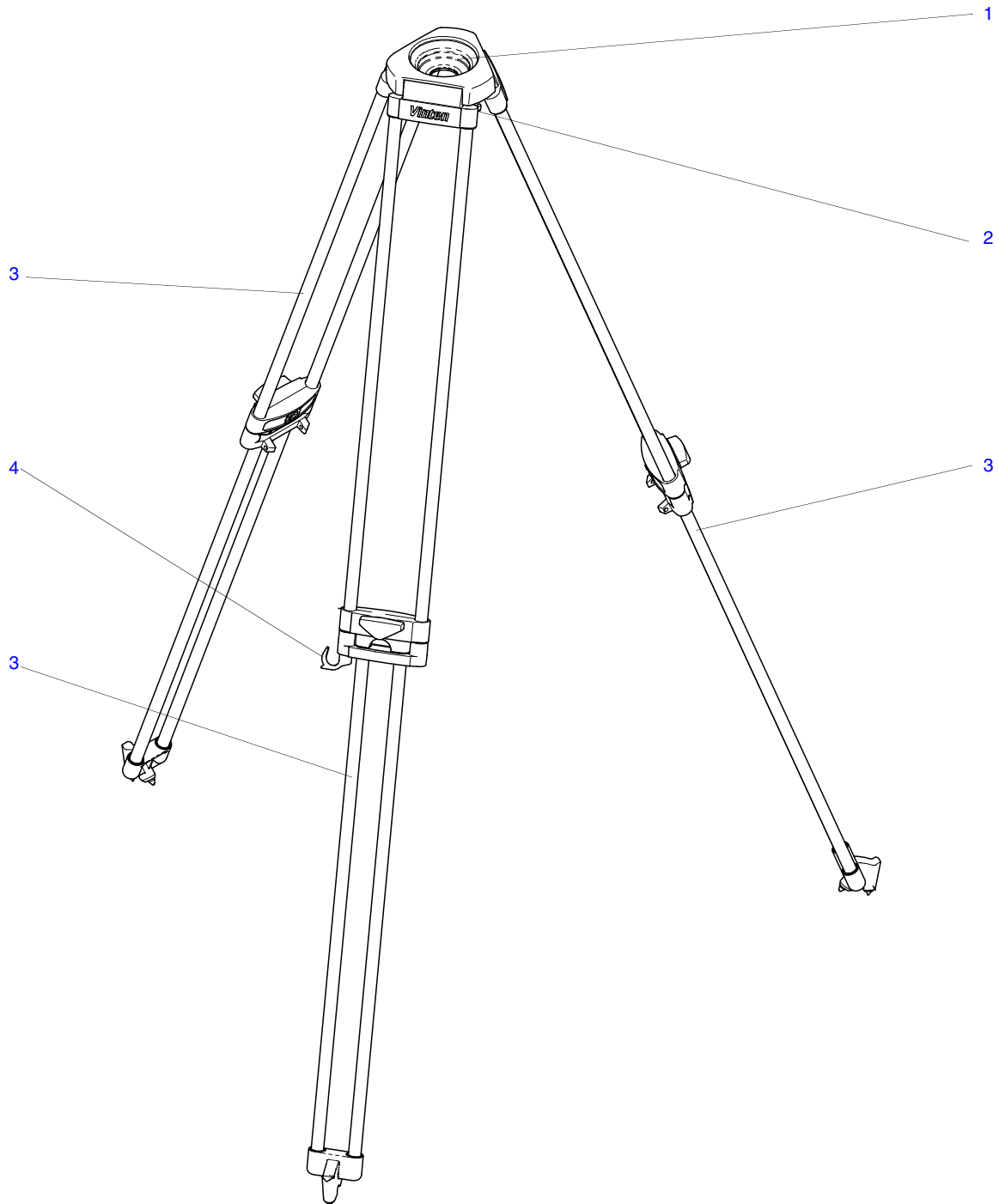




Two-Stage Pozi-Loc ENG Tripod (75 mm Bowl, Carbon Fibre Legs) (3776-3)

Item No.	Part No.	Item	Qty
1	3774-15	Bowl assembly 75mm (see page 27)	1
2	3498-322	Hook (see page 27)	1
3	3772-11	Two-stage leg assembly C/F (see page 27)	3
4	3310-12	Strap assembly (see page 27)	1

Single-Stage Pozi-Loc ENG Tripod (75 mm Bowl, Carbon Fibre Legs) (3777-3)

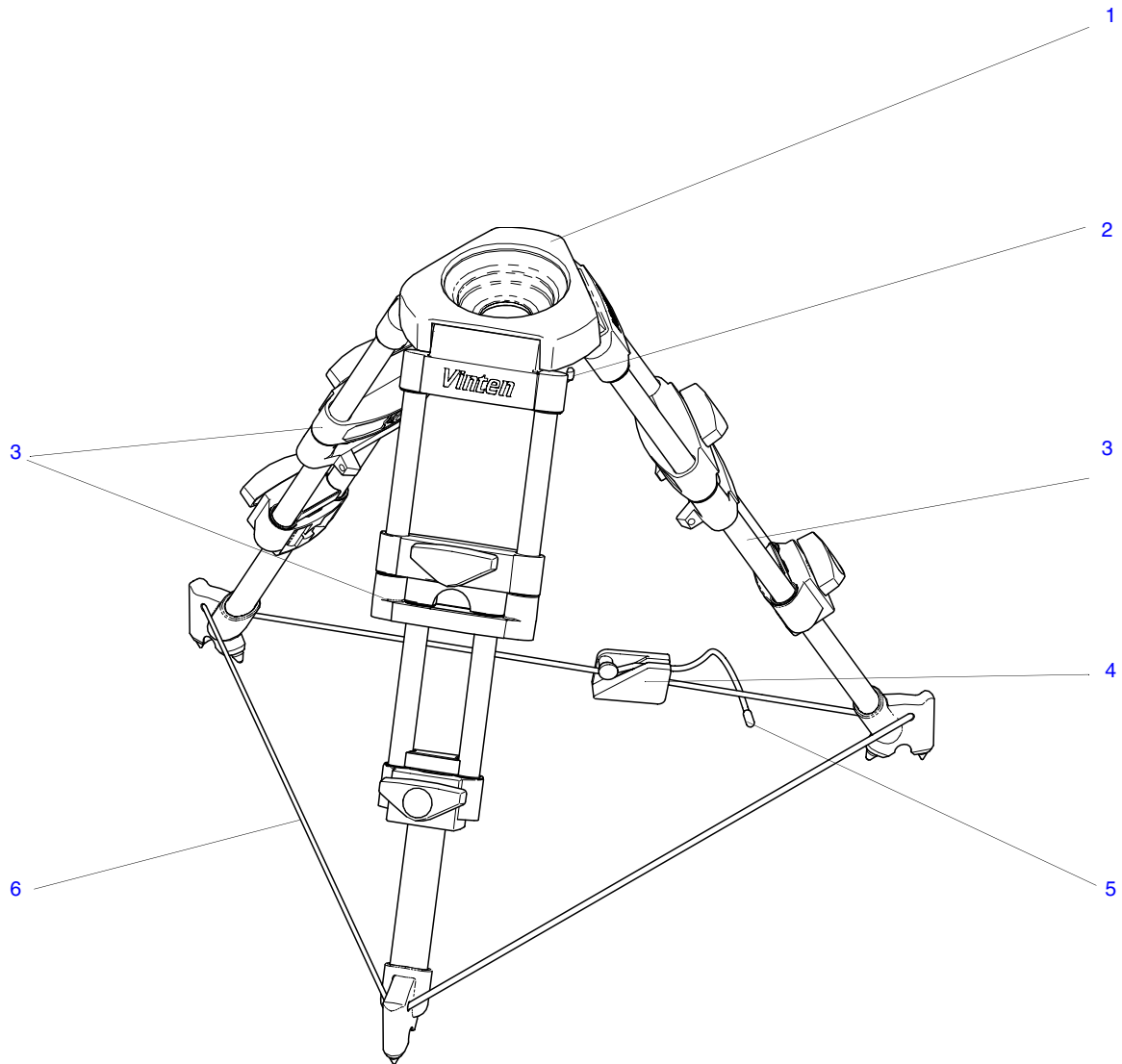




Single-Stage Pozi-Loc ENG Tripod (75 mm Bowl, Carbon Fibre Legs) (3777-3)

Item No.	Part No.	Item	Qty
1	3774-15	Bowl assembly 75mm (see page 27)	1
2	3498-322	Hook (see page 27)	1
3	3773-11	Single-stage leg assembly C/F (see page 27)	3
4	3310-12	Strap assembly (see page 27)	1

Pozi-Loc Baby Legs ENG Tripod (100 mm Bowl) (3778-3)





First Page



Previous Page



Next Page

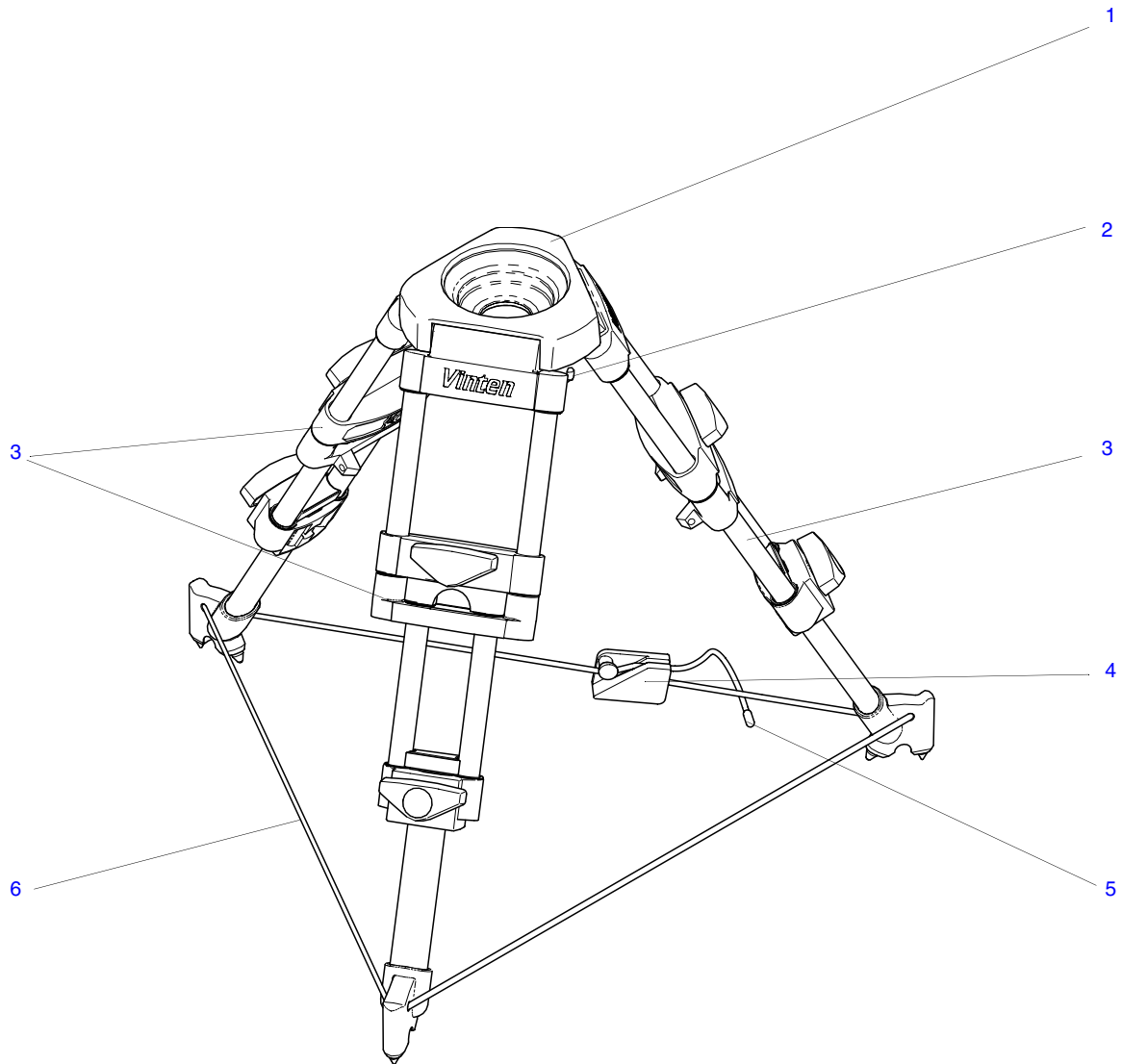


Previous View

Pozi-Loc Baby Legs ENG Tripod (100 mm Bowl) (3778-3)

Item No.	Part No.	Item	Qty
1	3498-15	Bowl Assembly (100mm) (see page 41)	1
2	3498-322	Hook (see page 41)	1
3	3778-11	Two-stage leg assembly (baby legs) (see page 41)	3
4	J553-040	Cleat, loop	1
5	J552-022	Cap, tube, heat-shrinkable type	1
6	K500-002	Cord, 4 mm dia black polyester	1.5 m

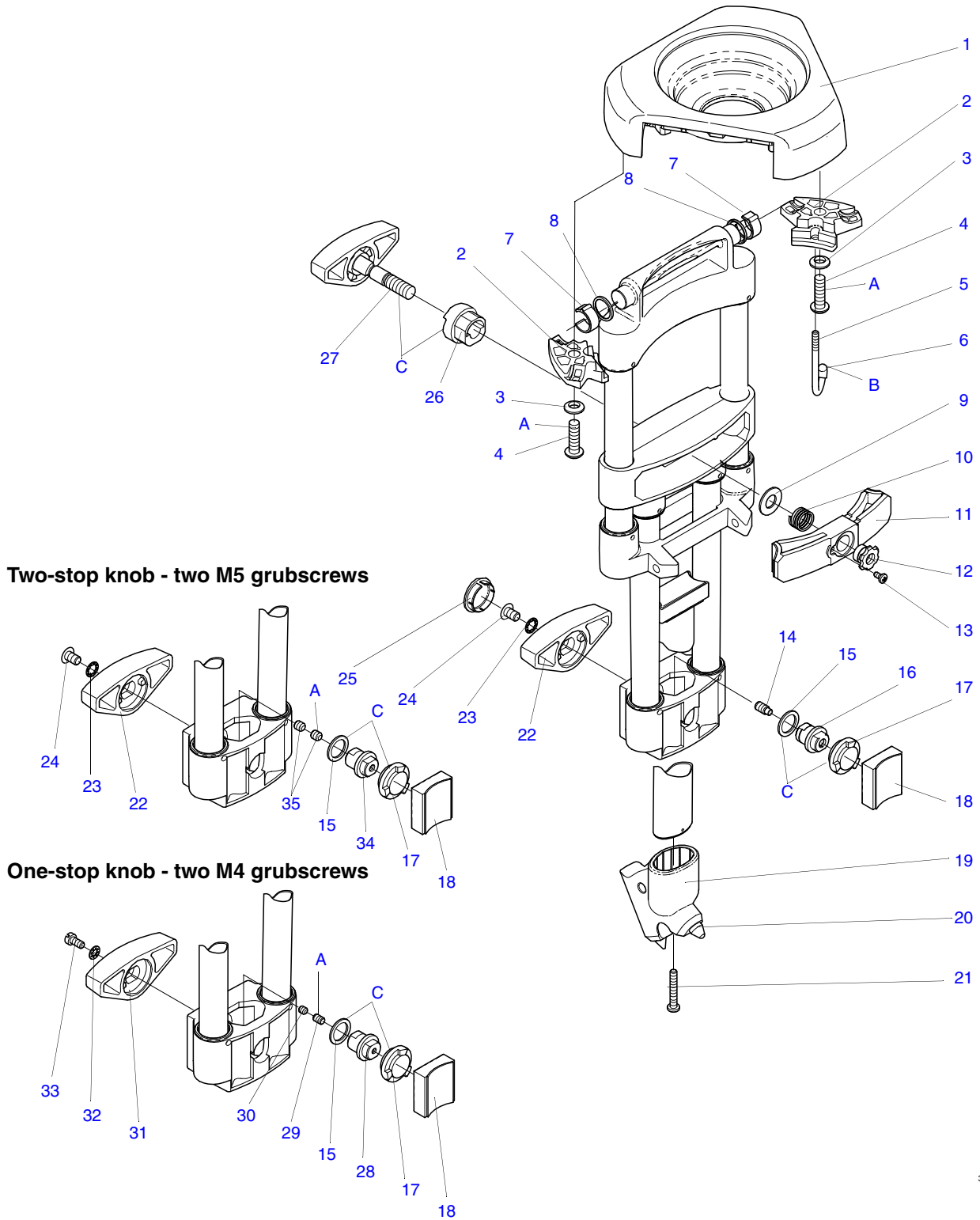
Pozi-Loc Baby Legs ENG Tripod (75 mm Bowl) (3779-3)



Pozi-Loc Baby Legs ENG Tripod (75 mm Bowl) (3779-3)

Item No.	Part No.	Item	Qty
1	3774-15	Bowl assembly 75mm (see page 41)	1
2	3498-322	Hook (see page 41)	1
3	3778-11	Two-stage leg assembly (baby legs) (see page 41)	3
4	J553-040	Cleat, loop	1
5	J552-022	Cap, tube, heat-shrinkable type	1
6	K500-002	Cord, 4 mm dia black polyester	1.5 m

Two-Stage Leg Assembly (Baby legs) (3778-11)



See [page 7](#) for letter key to adhesives and lubricants

Two-Stage Leg Assembly (Baby legs) (3778-11)

Item No.	Part No.	Item	Qty
1	3498-15	Bowl Assembly (100mm) - 3772-3 or	1
	3774-15	Bowl assembly (75mm) - 3776-3	1
2	3498-321	Leg Pivot Clamp	3
3	3498-338	Spherical Washer	3
4	3498-321	Leg Pivot Clamp	3
5	3498-322	Hook	1
6	J550-112	Cap, tube, dome type, to fit over 3.2 mm diameter	1
7	3498-226	Leg Pivot Friction Ring	6
8	3498-229	Leg Pivot Washer	6
	3778-11	Two-stage leg assembly (baby legs) - replaceable parts as follows:	
9	M600-106	Washer, plain, light, M8	1
10	J532-076	Spring, compression, 0.625 in. free length, 0.480 in. OD x 0.500 in. hole dia., 22.00 lbf/in. rate	1
11	3513-13	Upper clamp assembly	1
12	3392-205	Threaded insert (upper rear)	1
13	L101-026	Screw, self-tapping, pan head, pozidrive, No.4 x 1/4 in. long, type bt	1
14	M006-813	Screw, grub, dog point, socket head, M5 x 10 mm long	1
15	3770-213	Washer-Lower clamp	1
16	3770-18	Clamp shaft assembly (lower)	1
17	3770-17	Clamp cam follower	1
18	3770-13	Lower clamp assembly	1
19	3778-203	Foot moulding.	1
20	3498-325	Foot spike	1
21	M101-003	Screw, self-tapping, pan head, pozidrive, M4 x 25 mm long	1
22	3770-229	Bottom Clamp Knob (Two Stops)	1
23	M601-010	Washer, shakeproof, internal, M5	1
24	M006-515	Screw, button head, socket, M5 x 8 mm long	1
25	3770-206	Knob cap, lower clamp knob	1
26	3770-219	Top clamp cam insert	1
27	3770-14	Upper clamp knob assembly	1

Two-Stage Leg Assembly (Baby legs) (3778-11)

Item No.	Part No.	Item	Qty
----------	----------	------	-----

NOTE: The design of the bottom clamp has been modified twice.
 At the following serial numbers, the knobs changed from “one stop” to “two stop” and the shaft thread from M4 to M5. The grubscrews were changed to 2 x M5 x 5 mm
 3778-3 - Serial No. 00124
 3779-3 - Serial No. 00100
 At the following serial numbers, the shaft was fitted with a locking thread insert and the grubscrews were changed to 1 x M5 x 10 mm
 3778-3 - Serial No. 00223
 3779-3 - Serial No. 00206

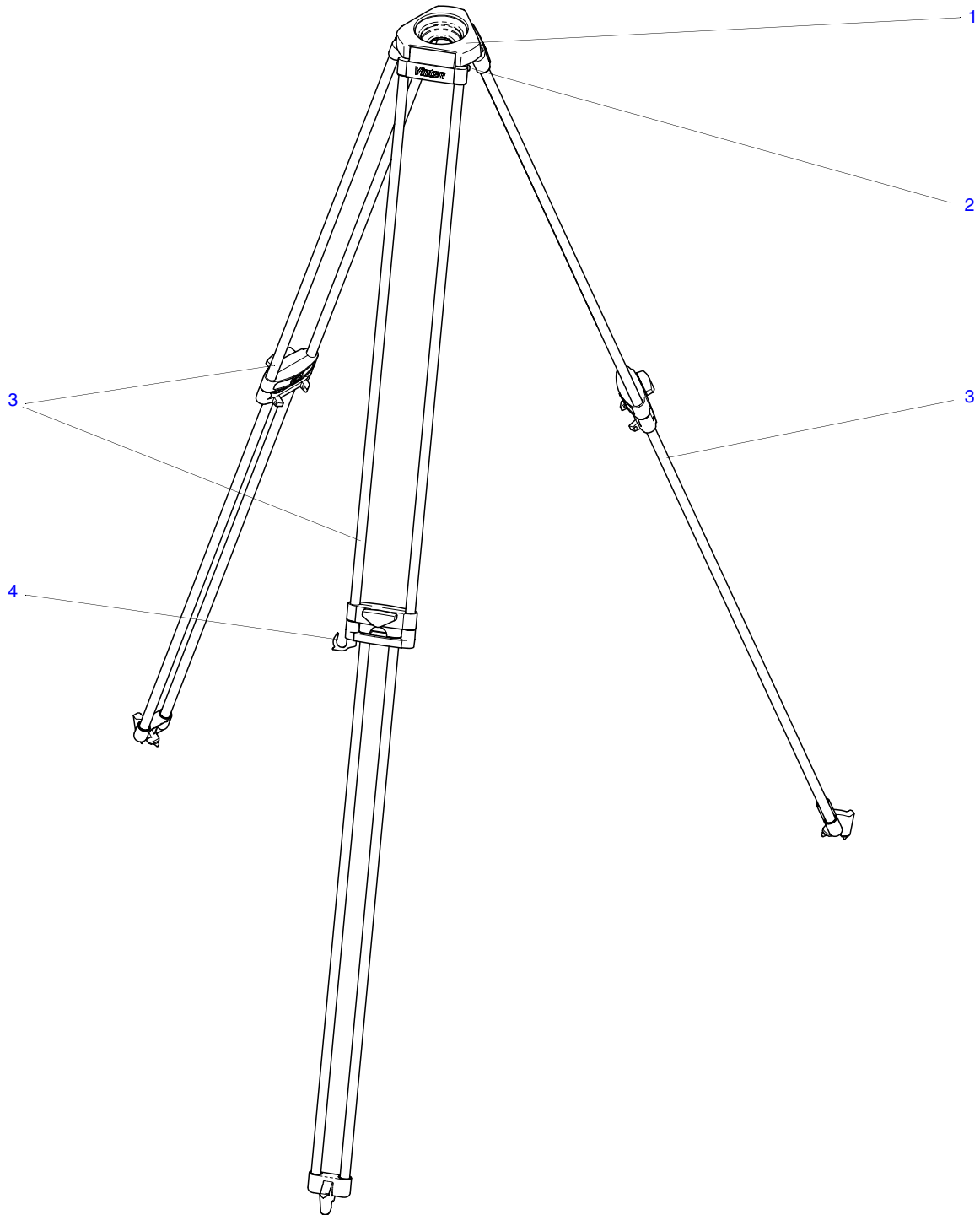
One stop - two M4 grubscrews

15	3770-213	Washer-Lower clamp	1
17	3770-17	Clamp cam follower	1
18	3770-13	Lower clamp assembly	1
28	3770-212	Bottom clamp shaft	1
29	M005-814	Screw, grub, flat point, socket head, M4 x 6 mm long	1
30	M005-812	Screw, grub, knurled cup point, socket head, M4 x 4 mm long	1
31	3770-208	Bottom clamp knob.	1
32	M601-006	Washer, shakeproof, internal, M4	1
33	M005-303	Screw, cheese head, pozidrive, M4 x 8 mm long	1

Two stop - two M5 grubscrews

15	3770-213	Washer-Lower clamp	1
17	3770-17	Clamp cam follower	1
18	3770-13	Lower clamp assembly	1
22	3770-229	Bottom Clamp Knob (Two Stops)	1
23	M601-010	Washer, shakeproof, internal, M5	1
24	M006-515	Screw, button head, socket, M5 x 8 mm long	1
34	3770-231	Bottom Clamp Shaft (M5)	1
35	M006-814	Screw, grub, flat point, skt head, M5 x 5 mm long	2

Single-Stage Pozi-Loc ENG 2 Metre Tripod (100 mm Bowl, Aluminium Legs) (3796-3)



3796_3



First
Page



Previous
Page



Next
Page

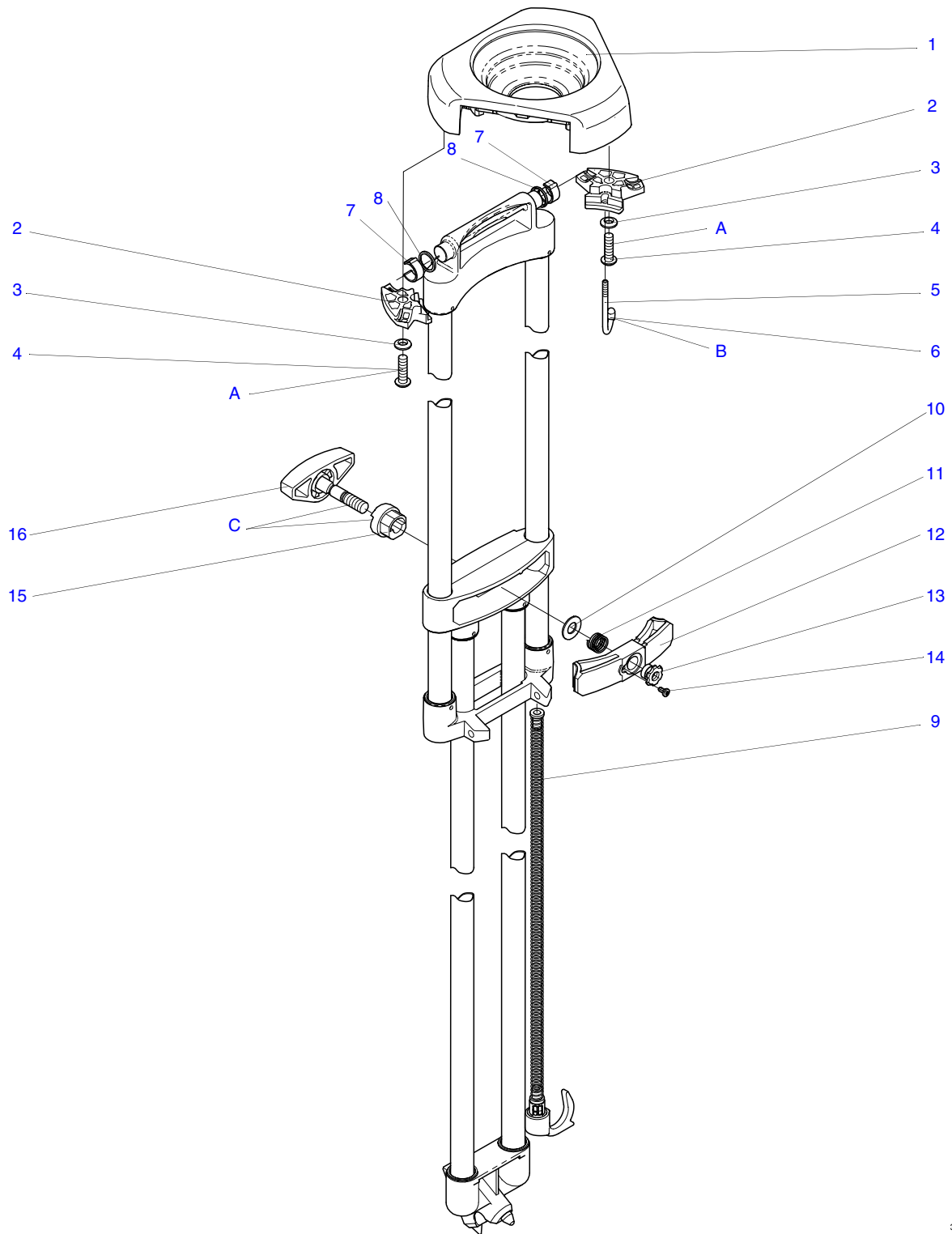


Previous
View

Single-Stage Pozi-Loc ENG 2 Metre Tripod (100 mm Bowl, Aluminium Legs) (3796-3)

Item No.	Part No.	Item	Qty
1	3498-15	Bowl assembly 100 mm (see page 46)	1
2	3498-322	Hook (see page 46)	1
3	3771-51	Ext'd Leg Assembly (see page 46)	3
4	3310-12	Strap assembly (see page 46)	1

Extended Leg Assembly (3771-51)



3771_3_IP1

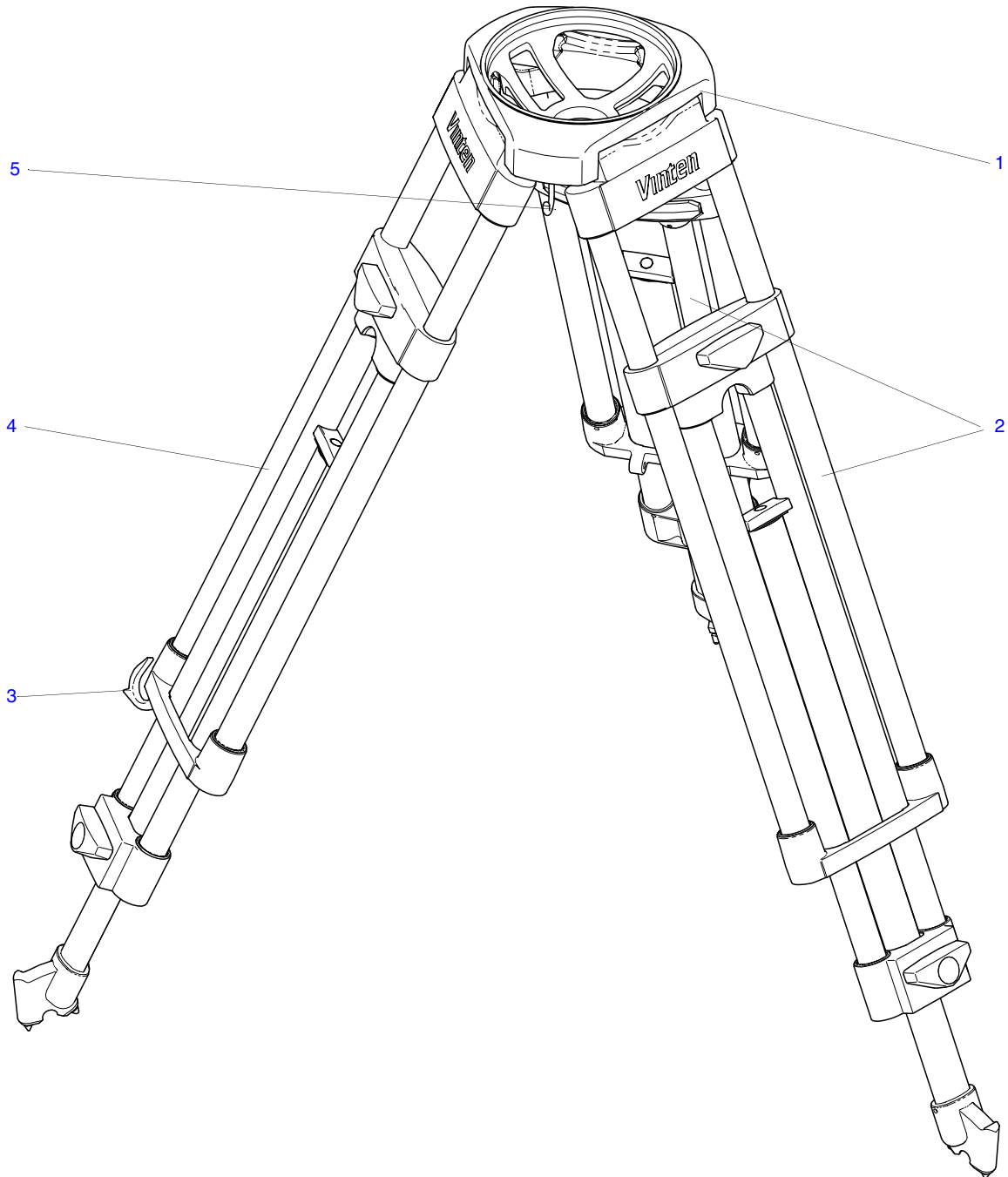
See page 7 for letter key to adhesives and lubricants



Single-Stage Leg Assembly (2 metre Tripod) (3796-11)

Item No.	Part No.	Item	Qty
1	3498-15	Bowl Assembly (100mm)	1
2	3498-321	Leg Pivot Clamp	3
3	3498-338	Spherical Washer	3
4	M007-506	Screw, button head, socket, M6 x 20 mm long	3
5	3498-322	Hook	1
6	J550-112	Cap, tube, dome type, to fit over 3.2 mm diameter	1
7	3498-226	Leg Pivot Friction Ring	6
8	3498-229	Leg Pivot Washer.	6
9	3310-12	Strap assembly - one per tripod	1
	3771-51	Ext'd Leg Assembly - replaceable parts as follows:	
10	M600-106	Washer, plain, light, M8	1
11	J532-076	Spring, compression, 0.625 in. free length, 0.480 in. OD x 0.500 in. hole dia., 22.00 lbf/in. rate	1
12	3513-13	Upper clamp assembly	1
13	3392-205	Threaded insert (upper rear)	1
14	L101-026	Screw, self-tapping, pan head, pozidrive, No.4 x 1/4 in. long, type bt	1
15	3770-219	Top clamp cam insert	1
16	3770-14	Upper clamp knob assembly	1

Pozi-Loc EFP Tripod (150 mm Bowl, Aluminium Legs) (3880-3)

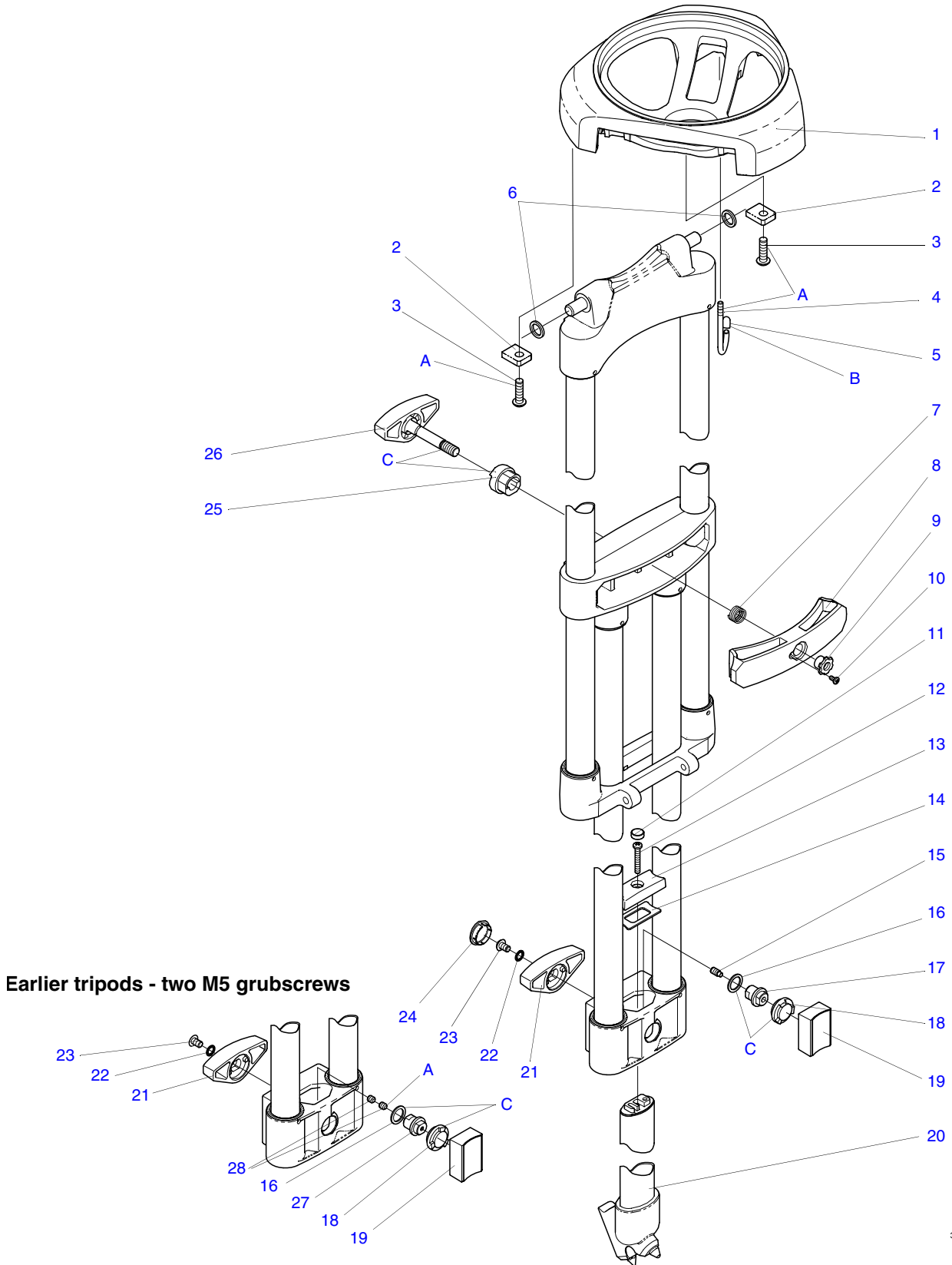




Pozi-Loc EFP Tripod (150 mm Bowl, Aluminium Legs) (3880-3)

Item No.	Part No.	Item	Qty
1	3880-201	150 mm bowl (machining) (see page 50)	1
2	3880-11	Leg assembly (see page 50)	2
3	3312-12	Strap assembly (see page 53)	1
4	3880-12	Leg assembly - lined leg (see page 53)	1
5	3880-225	Hook (see page 50)	1

Leg Assembly (Aluminium EFP Tripod) (3880-11)



3880_3_IP1

See [page 7](#) for letter key to adhesives and lubricants

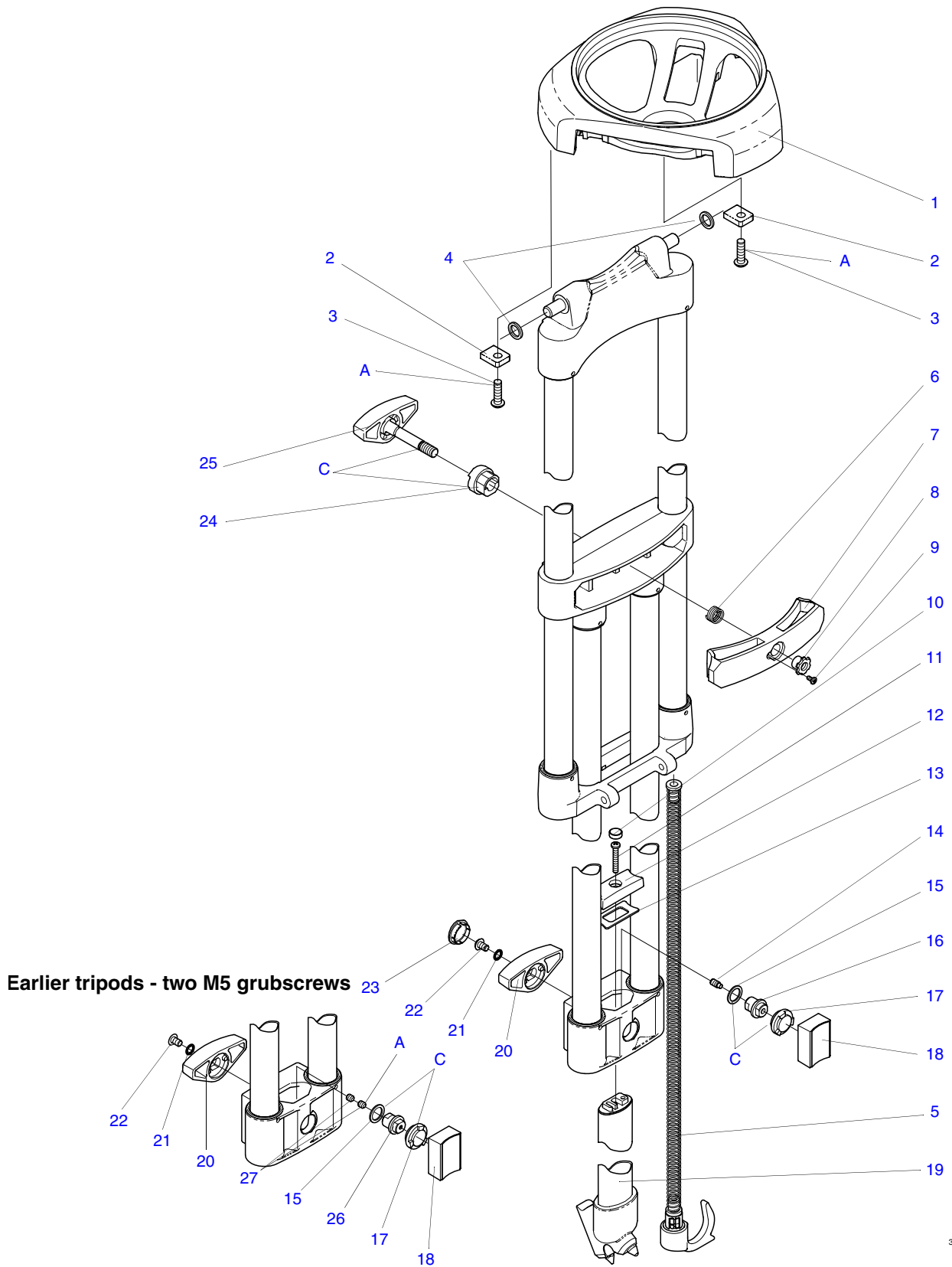
Leg Assembly (Aluminium EFP Tripod) (3880-11)

Item No.	Part No.	Item	Qty
1	3880-201	150 mm bowl (machining)	1
2	3880-224	Clamp plate - leg pivot	6
3	M007-506	Screw, button head, socket, M6 x 20 mm long	6
4	3880-225	Hook, M4	1
5	J550-112	Cap, tube, dome type, to fit over 3.2 mm diameter	1
6	3380-227	Pivot washer	6
	3880-11	Leg assembly - replaceable parts as follows:	
7	J532-076	Spring, compression, 0.625 in. free length, 0.480 in. OD x 0.500 in. hole dia., 22.00 lbf/in. rate	1
8	3516-13	Upper clamp assembly	1
9	3513-230	Aluminium threaded insert (2-start)	1
10	L101-026	Screw, self-tapping, pan head, pozidrive, No.4 x 1/4 in. long, type bt	1
11	3880-222	Screw cover, "T" piece	1
12	M101-003	Screw, self-tapping, pan head, pozidrive, M4 x 25 mm long	1
13	3880-221	Top piece cap	1
14	3880-218	"T" piece buffer	1
15	M006-813	Screw, grub, dog point, socket head, M5 x 10 mm long	1
16	3770-213	Washer-Lower clamp	1
17	3770-18	Clamp shaft assembly (lower)	1
18	3770-17	Clamp cam follower.	1
19	3880-17	Lower clamp cam assembly	1
20	3880-15	Lower leg assembly - oval tube	1
21	3770-229	Bottom Clamp Knob (Two Stops).	1
22	M601-010	Washer, shakeproof, internal, M5	1
23	M006-515	Screw, button head, socket, Mm5 x 8 mm long	1
24	3770-206	Knob cap, lower clamp knob.	1
25	3770-219	Top clamp cam insert.	1
26	3880-13	Top clamp shaft overmoulding	1

Leg Assembly (Aluminium EFP Tripod) (3880-11)

Item No.	Part No.	Item	Qty
NOTE: The design of the bottom clamp has been modified			
At Serial No. 00873, the shaft was fitted with a locking thread insert and the 2 x M5 grubscrews, were changed to 1 x M5 x 10 mm			
Earlier tripods - two M5 grubscrews			
16	3770-213	Washer-Lower clamp	1
18	3770-17	Clamp cam follower	1
19	3880-17	Lower clamp cam assembly	1
21	3770-229	Bottom Clamp Knob (Two Stops)	1
22	M601-010	Washer, shakeproof, internal, M5	1
23	M006-515	Screw, button head, socket, M5 x 8 mm long	1
27	3770-231	Bottom Clamp Shaft (M5)	1
28	M006-814	Screw, grub, flat point, skt head, M5 x 5 mm long	2

Leg Assembly - Lined Leg (Aluminium EFP Tripod) (3880-12)



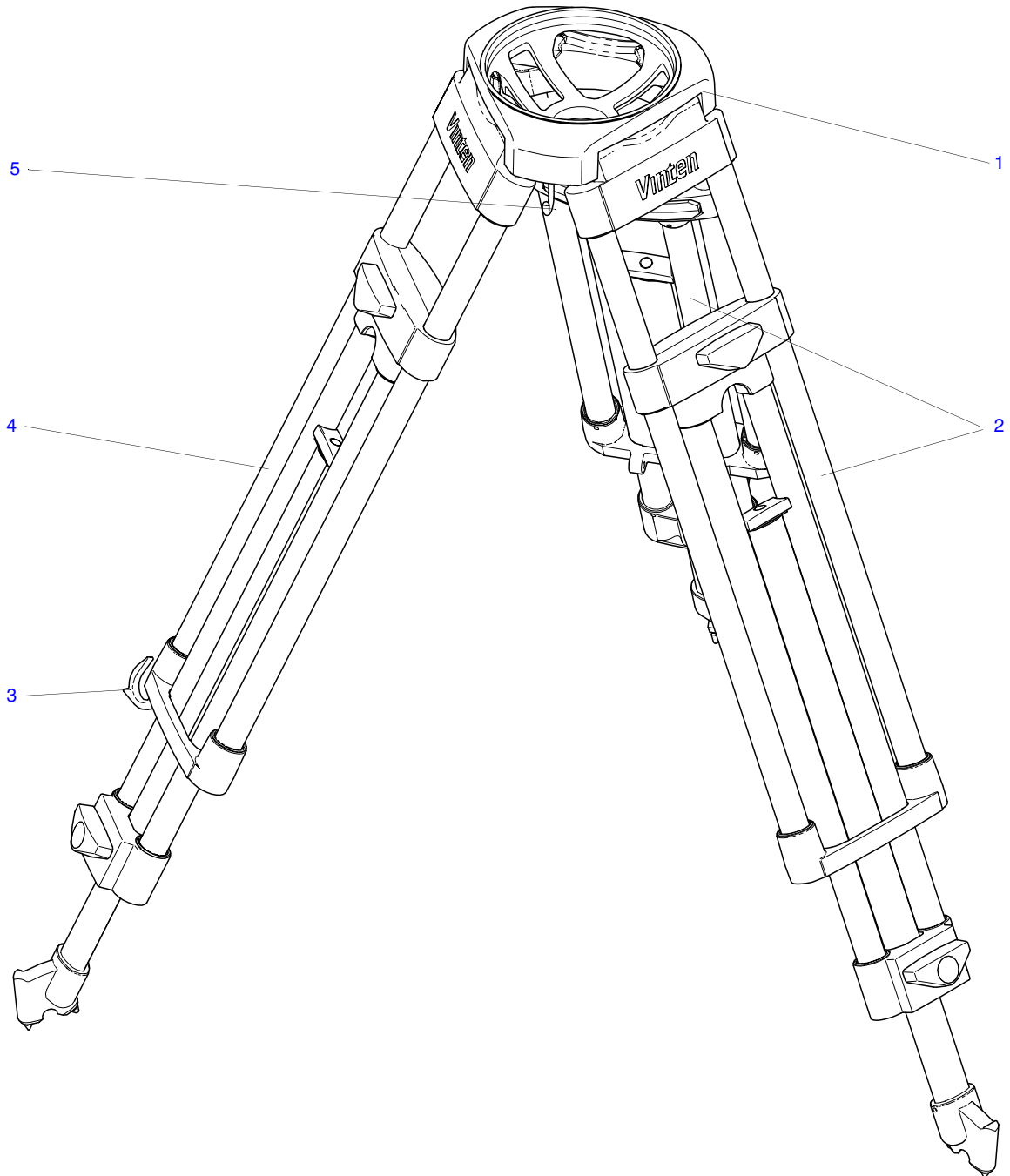
Leg Assembly - Lined Leg (Aluminium EFP Tripod) (3880-12)

Item No.	Part No.	Item	Qty
1	3880-201	150 mm bowl (machining)	1
2	3880-224	Clamp plate - leg pivot	6
3	M007-506	Screw, button head, socket, M6 x 20 mm long	6
4	3880-227	Pivot washer	6
5	3312-12	Strap assembly	1
	3880-12	Leg assemlby - lined leg - replaceable parts as follows:	
6	J532-076	Spring, compression, 0.625 in. free length, 0.480 in. OD x 0.500 in. hole dia., 22.00 lbf/in. rate	1
7	3516-13	Upper clamp assembly	1
8	3513-230	Aluminium threaded insert (2-start)	1
9	L101-026	Screw, self-tapping, pan head, pozidrive, No.4 x 1/4 in. long, type bt	1
10	3880-222	Screw cover, "T" piece	1
11	M101-003	Screw, self-tapping, pan head, pozidrive, M4 x 25 mm long	1
12	3880-221	Top piece cap	1
13	3880-218	"T" piece buffer	1
14	M006-813	Screw, grub, dog point, socket head, M5 x 10 mm long	1
15	3770-213	Washer-Lower clamp	1
16	3770-18	Clamp shaft assembly (lower)	1
17	3770-17	Clamp cam follower.	1
18	3880-17	Lower clamp cam assembly	1
19	3880-15	Lower leg assembly - oval tube	1
20	3770-229	Bottom Clamp Knob (Two Stops).	1
21	M601-010	Washer, shakeproof, internal, M5	1
22	M006-515	Screw, button head, socket, Mm5 x 8 mm long	1
23	3770-206	Knob cap, lower clamp knob.	1
24	3770-219	Top clamp cam insert.	1
25	3880-13	Top clamp shaft overmoulding	1

Leg Assembly - Lined Leg (Aluminium EFP Tripod) (3880-12)

Item No.	Part No.	Item	Qty
NOTE: The design of the bottom clamp has been modified			
At Serial No. 00873, the shaft was fitted with a locking thread insert and the 2 x M5 grubscrews, were changed to 1 x M5 x 10 mm			
Earlier tripods - two M5 grubscrews			
15	3770-213	Washer-Lower clamp	1
17	3770-17	Clamp cam follower	1
18	3880-17	Lower clamp cam assembly	1
20	3770-229	Bottom Clamp Knob (Two Stops)	1
21	M601-010	Washer, shakeproof, internal, M5	1
22	M006-515	Screw, button head, socket, M5 x 8 mm long	1
26	3770-231	Bottom Clamp Shaft (M5)	1
27	M006-814	Screw, grub, flat point, skt head, M5 x 5 mm long	2

Pozi-Loc EFP Tripod (150 mm Bowl, Carbon Fibre Legs) (3881-3)

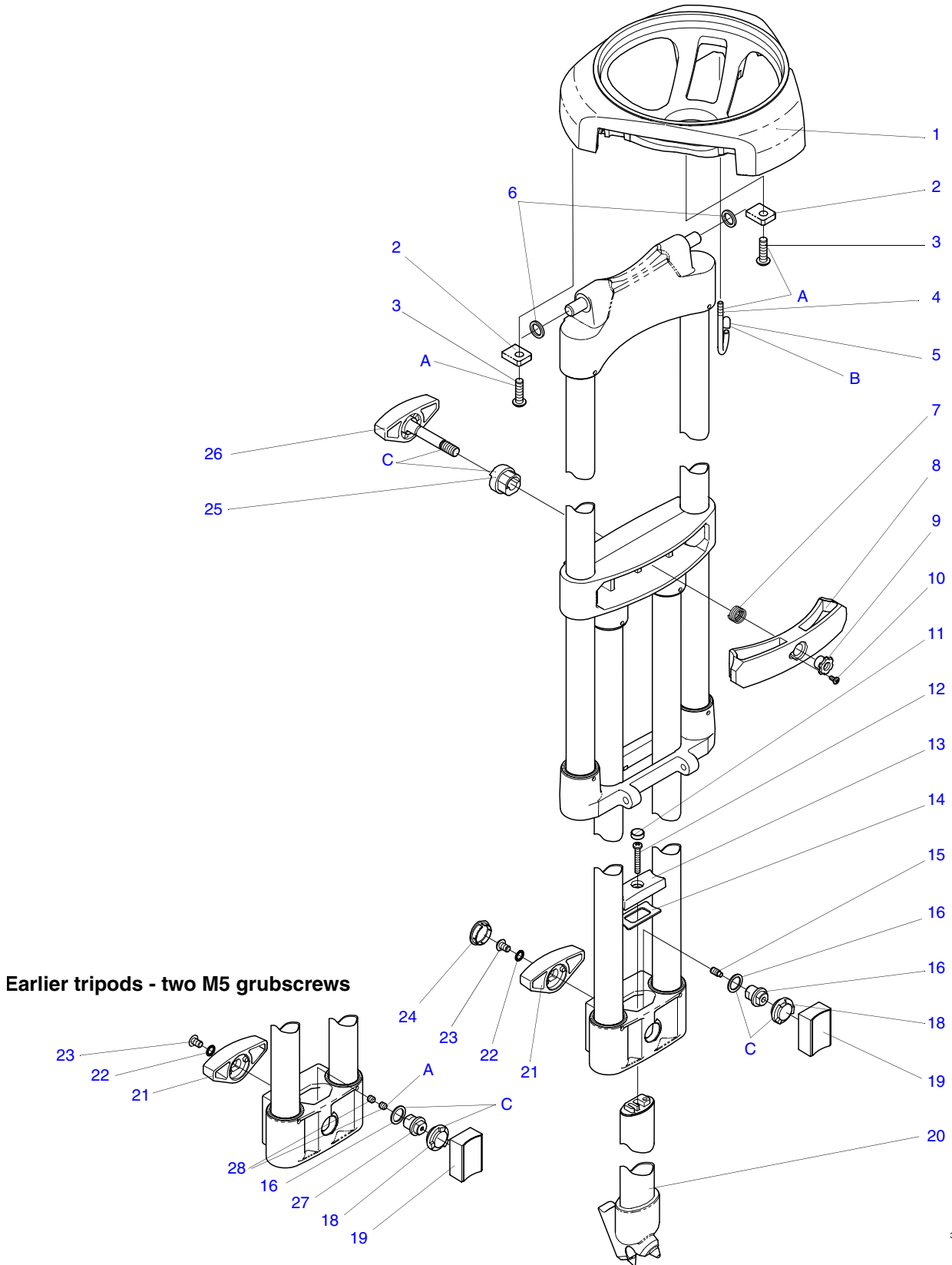




Pozi-Loc EFP Tripod (150 mm Bowl, Carbon Fibre Legs) (3881-3)

Item No.	Part No.	Item	Qty
1	3880-201	150 mm bowl (machining) (see page 58)	1
2	3881-11	Leg assembly (see page 58)	2
3	3312-12	Strap assembly (see page 61)	1
4	3881-12	Leg assembly - lined leg (see page 61)	1
5	3880-225	Hook (see page 58)	1

Leg Assembly (Carbon Fibre EFP Tripod) (3881-11)



3880_3_IP1

See [page 7](#) for letter key to adhesives and lubricants

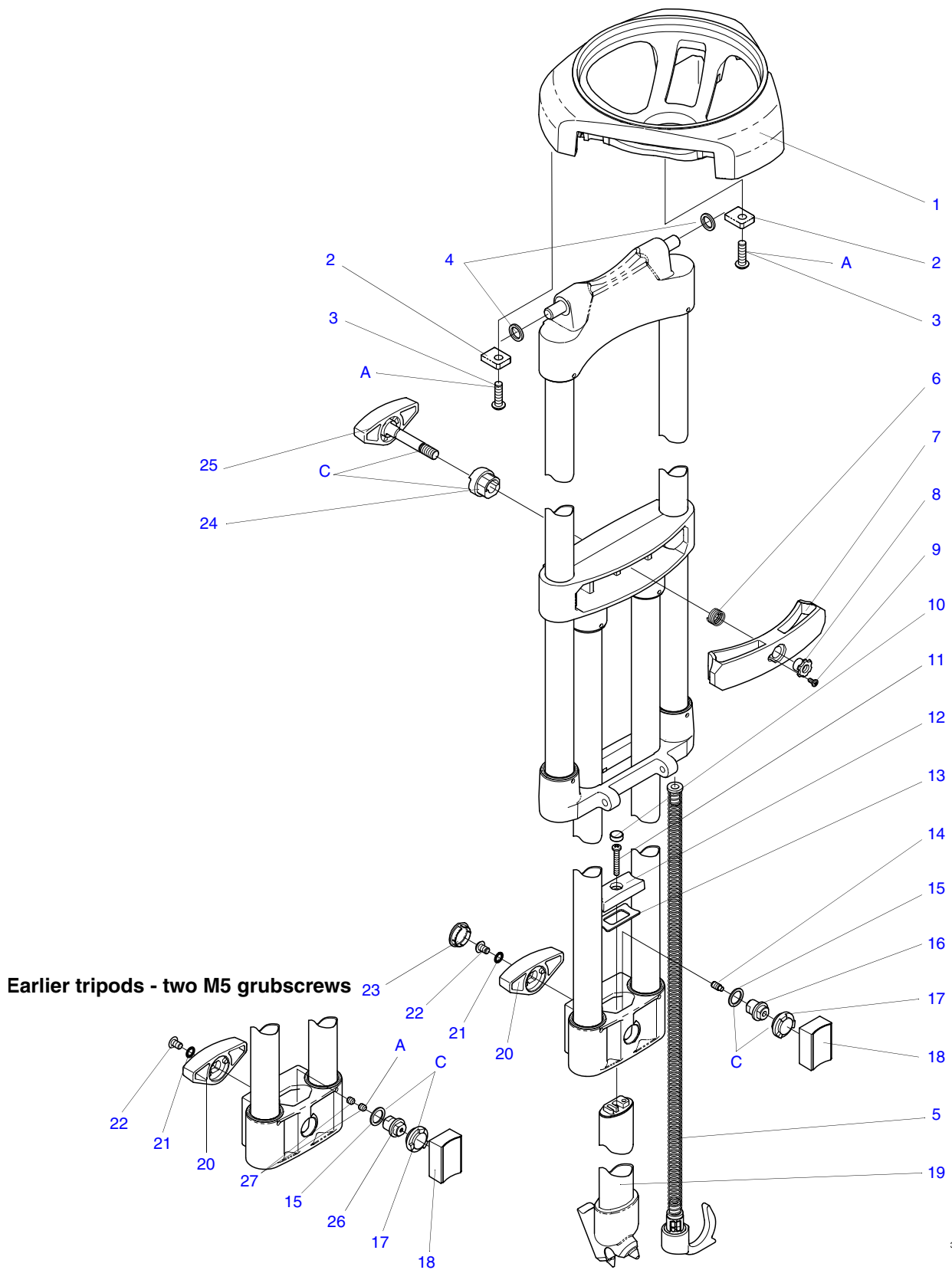
Leg Assembly (Carbon Fibre EFP Tripod) (3881-11)

Item No.	Part No.	Item	Qty
1	3880-201	150 mm bowl (machining)	1
2	3880-224	Clamp plate - leg pivot	6
3	M007-506	Screw, button head, socket, M6 x 20 mm long	6
4	3880-225	Hook, M4	1
5	J550-112	Cap, tube, dome type, to fit over 3.2 mm diameter	1
6	3380-227	Pivot washer	6
	3880-11	Leg assembly - replaceable parts as follows:	
7	J532-076	Spring, compression, 0.625 in. free length, 0.480 in. OD x 0.500 in. hole dia., 22.00 lbf/in. rate	1
8	3516-13	Upper clamp assembly	1
9	3513-230	Aluminium threaded insert (2-start)	1
10	L101-026	Screw, self-tapping, pan head, pozidrive, No.4 x 1/4 in. long, type bt	1
11	3880-222	Screw cover, "T" piece	1
12	M101-003	Screw, self-tapping, pan head, pozidrive, M4 x 25 mm long	1
13	3880-221	Top piece cap	1
14	3880-218	"T" piece buffer	1
15	M006-813	Screw, grub, dog point, socket head, M5 x 10 mm long	1
16	3770-213	Washer-Lower clamp	1
17	3770-18	Clamp shaft assembly (lower)	1
18	3770-17	Clamp cam follower.	1
19	3880-17	Lower clamp cam assembly	1
20	3880-15	Lower leg assembly - oval tube	1
21	3770-229	Bottom Clamp Knob (Two Stops).	1
22	M601-010	Washer, shakeproof, internal, M5	1
23	M006-515	Screw, button head, socket, Mm5 x 8 mm long	1
24	3770-206	Knob cap, lower clamp knob.	1
25	3770-219	Top clamp cam insert.	1
26	3880-13	Top clamp shaft overmoulding	1

Leg Assembly (Carbon Fibre EFP Tripod) (3881-11)

Item No.	Part No.	Item	Qty
NOTE: The design of the bottom clamp has been modified			
At Serial No. 01175, the shaft was fitted with a locking thread insert and the 2 x M5 grubscrews, were changed to 1 x M5 x 10 mm			
Earlier tripods - two M5 grubscrews			
16	3770-213	Washer-Lower clamp	1
18	3770-17	Clamp cam follower	1
19	3880-17	Lower clamp cam assembly	1
21	3770-229	Bottom Clamp Knob (Two Stops)	1
22	M601-010	Washer, shakeproof, internal, M5	1
23	M006-515	Screw, button head, socket, M5 x 8 mm long	1
27	3770-231	Bottom Clamp Shaft (M5)	1
28	M006-814	Screw, grub, flat point, skt head, M5 x 5 mm long	2

Leg Assembly - Lined Leg (Carbon Fibre EFP Tripod) (3881-12)



3880_3_IP2

See [page 7](#) for letter key to adhesives and lubricants

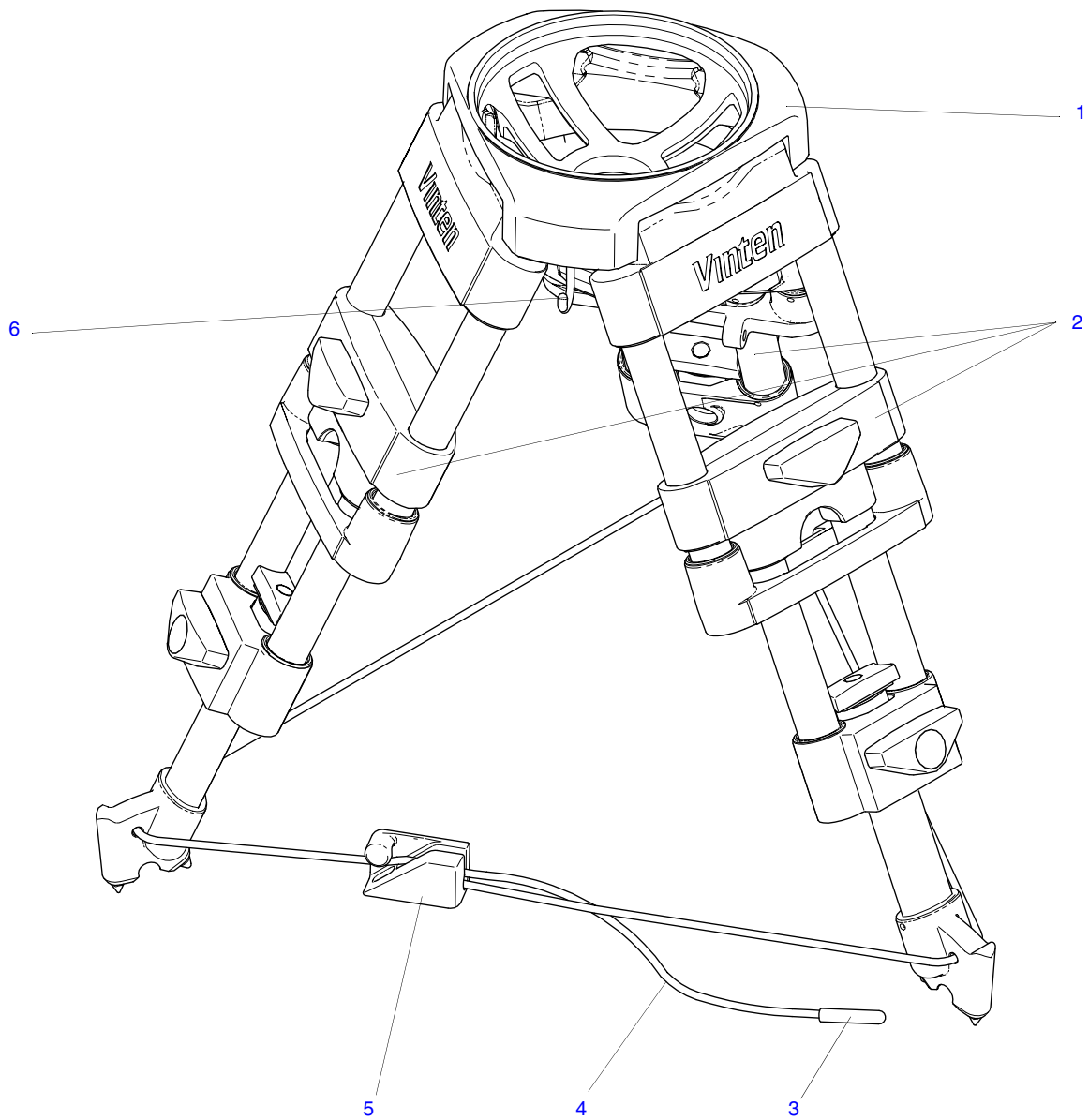
Leg Assembly - Lined Leg (Carbon Fibre EFP Tripod) (3881-12)

Item No.	Part No.	Item	Qty
1	3880-201	150 mm bowl (machining)	1
2	3880-224	Clamp plate - leg pivot	6
3	M007-506	Screw, button head, socket, M6 x 20 mm long	6
4	3880-227	Pivot washer	6
5	3312-12	Strap assembly	1
	3880-12	Leg assembly - lined leg - replaceable parts as follows:	
6	J532-076	Spring, compression, 0.625 in. free length, 0.480 in. OD x 0.500 in. hole dia., 22.00 lbf/in. rate	1
7	3516-13	Upper clamp assembly	1
8	3513-230	Aluminium threaded insert (2-start)	1
9	L101-026	Screw, self-tapping, pan head, pozidrive, No.4 x 1/4 in. long, type bt	1
10	3880-222	Screw cover, "T" piece	1
11	M101-003	Screw, self-tapping, pan head, pozidrive, M4 x 25 mm long	1
12	3880-221	Top piece cap	1
13	3880-218	"T" piece buffer	1
14	M006-813	Screw, grub, dog point, socket head, M5 x 10 mm long	1
15	3770-213	Washer-Lower clamp	1
16	3770-18	Clamp shaft assembly (lower)	1
17	3770-17	Clamp cam follower.	1
18	3880-17	Lower clamp cam assembly	1
19	3880-15	Lower leg assembly - oval tube	1
20	3770-229	Bottom Clamp Knob (Two Stops).	1
21	M601-010	Washer, shakeproof, internal, M5	1
22	M006-515	Screw, button head, socket, Mm5 x 8 mm long	1
23	3770-206	Knob cap, lower clamp knob.	1
24	3770-219	Top clamp cam insert.	1
25	3880-13	Top clamp shaft overmoulding	1

Leg Assembly - Lined Leg (Carbon Fibre EFP Tripod) (3881-12)

Item No.	Part No.	Item	Qty
NOTE: The design of the bottom clamp has been modified			
At Serial No. 01175, the shaft was fitted with a locking thread insert and the 2 x M5 grubscrews, were changed to 1 x M5 x 10 mm			
Earlier tripods - two M5 grubscrews			
15	3770-213	Washer-Lower clamp	1
17	3770-17	Clamp cam follower	1
18	3880-17	Lower clamp cam assembly	1
20	3770-229	Bottom Clamp Knob (Two Stops)	1
21	M601-010	Washer, shakeproof, internal, M5	1
22	M006-515	Screw, button head, socket, M5 x 8 mm long	1
26	3770-231	Bottom Clamp Shaft (M5)	1
27	M006-814	Screw, grub, flat point, skt head, M5 x 5 mm long	2

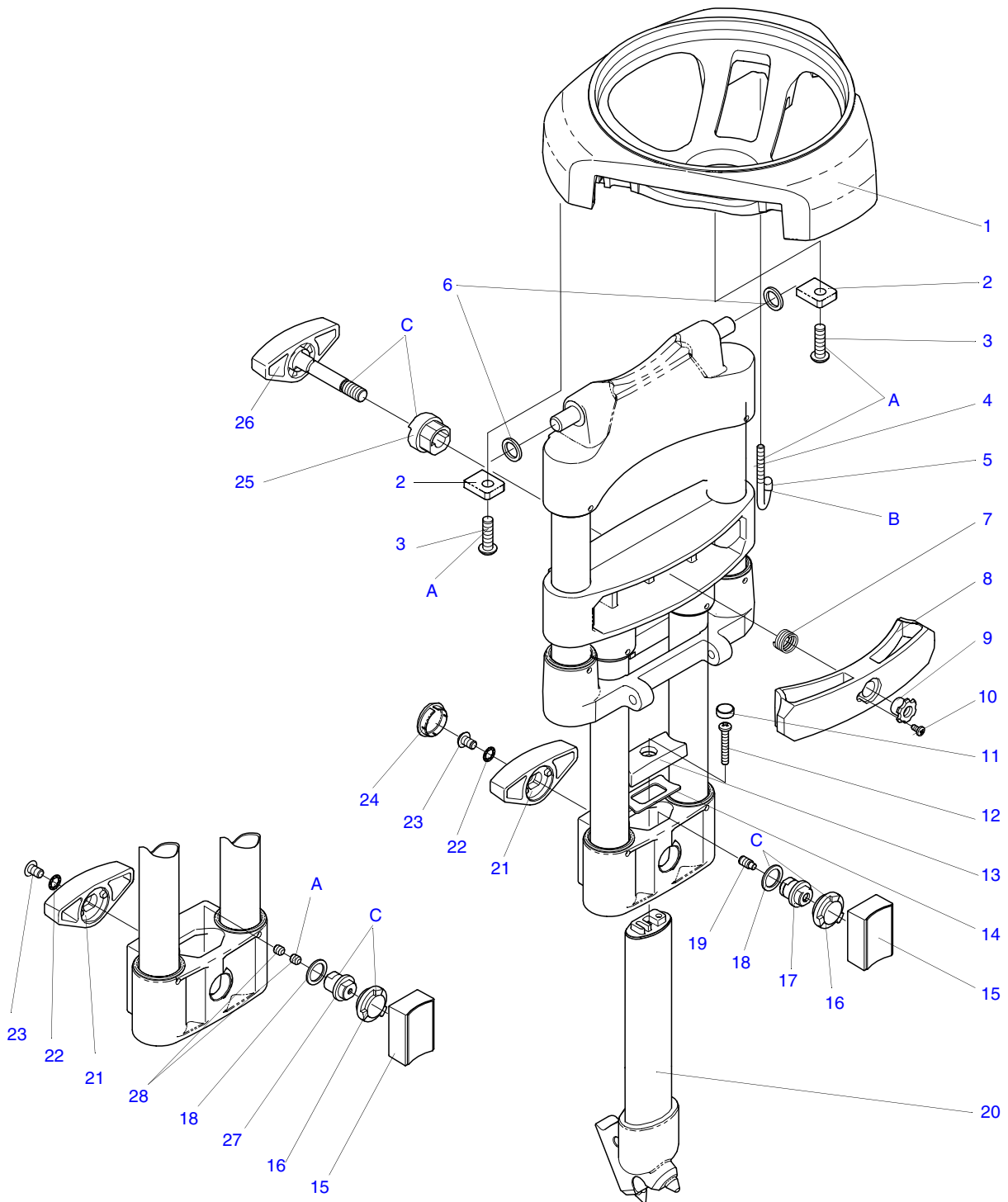
Pozi-Loc Baby Legs EFP Tripod (150 mm Bowl) (3882-3)



**Pozi-Loc Baby Legs EFP Tripod (150 mm Bowl) (3882-3)**

Item No.	Part No.	Item	Qty
1	3880-201-15	150 mm bowl (machining) (see page 66)	1
2	3882-11	Leg assembly (baby legs) (see page 66)	3
3	J552-022	Cap, tube, heat-shrinkable type	1
4	K500-002	Cord, 4 mm dia black polyester	1.5 m
5	J553-040	Cleat, loop	1
6	3880-225	Hook, M4 (see page 66)	1

Leg Assembly (Baby Legs EFP Tripod) (3882-11)



3880_3_IP1

See page 7 for letter key to adhesives and lubricants

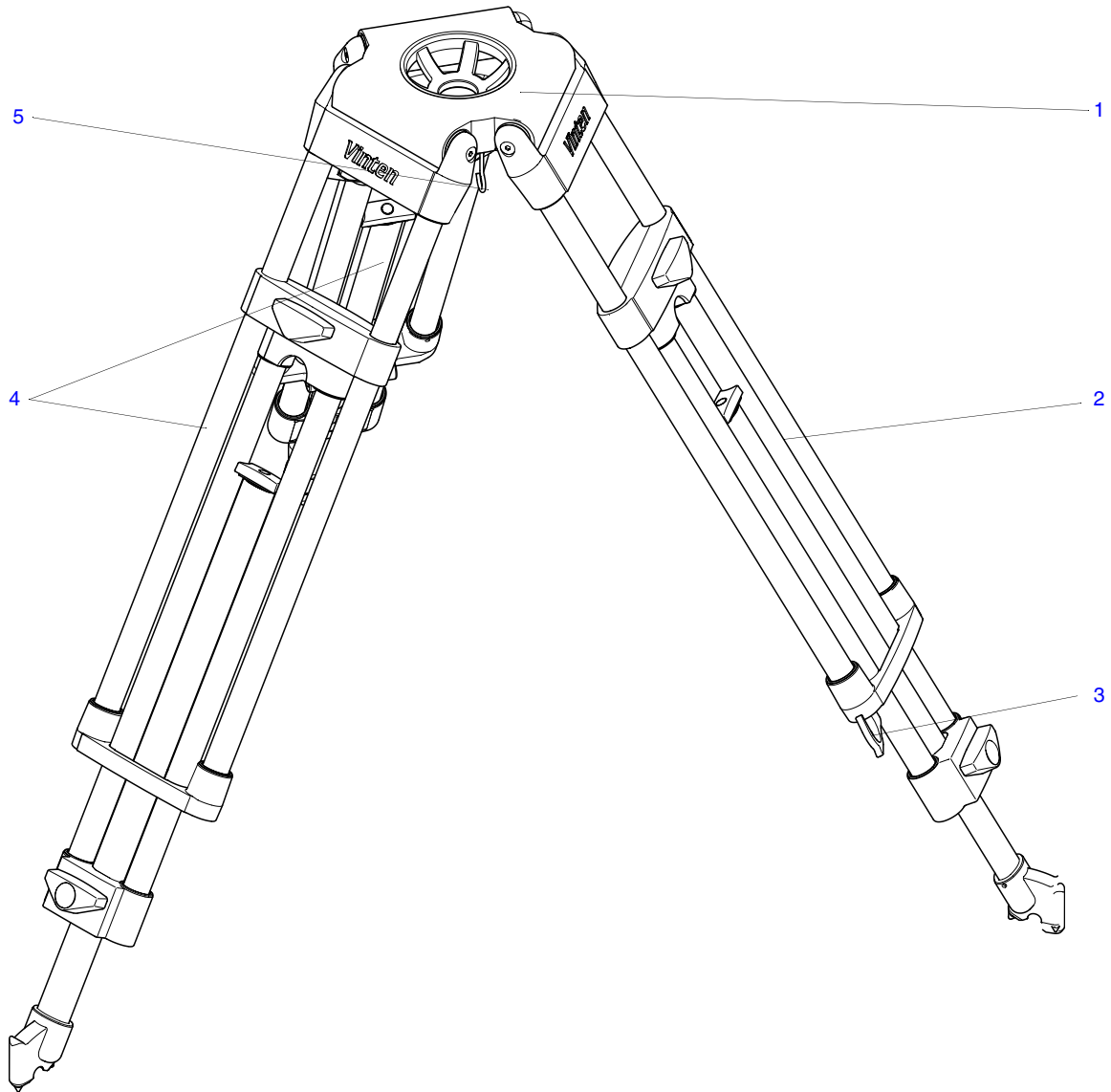
Leg Assembly (Baby Legs EFP Tripod) (3882-11)

Item No.	Part No.	Item	Qty
1	3880-201	150 mm bowl (machining)	1
2	3880-224	Clamp plate - leg pivot	6
3	M007-506	Screw, button head, socket, M6 x 20 mm long	6
4	3880-225	Hook, M4	1
5	J550-112	Cap, tube, dome type, to fit over 3.2 mm diameter	1
6	3380-227	Pivot washer	6
	3882-11	Leg assembly - replaceable parts as follows:	
7	J532-076	Spring, compression, 0.625 in. free length, 0.480 in. OD x 0.500 in. hole dia., 22.00 lbf/in. rate	1
8	3516-13	Upper clamp assembly	1
9	3513-230	Aluminium threaded insert (2-start)	1
10	L101-026	Screw, self-tapping, pan head, pozidrive, No.4 x 1/4 in. long, type bt	1
11	3880-222	Screw cover, "T" piece	1
12	M101-003	Screw, self-tapping, pan head, pozidrive, M4 x 25 mm long	1
13	3880-221	Top piece cap	1
14	3880-218	"T" piece buffer	1
15	3880-17	Lower clamp cam assembly	1
16	3770-17	Clamp cam follower.	1
17	3770-18	Clamp shaft assembly (lower)	1
18	3770-213	Washer-Lower clamp	1
19	M006-813	Screw, grub, dog point, socket head, M5 x 10 mm long	1
20	3882-15	Lower leg assembly	1
21	3770-229	Bottom Clamp Knob (Two Stops).	1
22	M601-010	Washer, shakeproof, internal, M5	1
23	M006-515	Screw, button head, socket, Mm5 x 8 mm long	1
24	3770-206	Knob cap, lower clamp knob.	1
25	3770-219	Top clamp cam insert.	1
26	3880-13	Top clamp shaft overmoulding	1

Leg Assembly (Baby Legs EFP Tripod) (3882-11)

Item No.	Part No.	Item	Qty
NOTE: The design of the bottom clamp has been modified			
At Serial No. 00114, the shaft was fitted with a locking thread insert and the 2 x M5 grubscrews, were changed to 1 x M5 x 10 mm			
Earlier tripods - two M5 grubscrews			
15	3880-17	Lower clamp cam assembly	1
16	3770-17	Clamp cam follower	1
18	3770-213	Washer-Lower clamp	1
21	3770-229	Bottom Clamp Knob (Two Stops)	1
22	M601-010	Washer, shakeproof, internal, M5	1
23	M006-515	Screw, button head, socket, M5 x 8 mm long	1
27	3770-231	Bottom Clamp Shaft (M5)	1
28	M006-814	Screw, grub, flat point, skt head, M5 x 5 mm long	2

Pozi-Loc EFP Tripod (100 mm Bowl, Aluminium Legs) (3883-3)





First
Page



Previous
Page



Next
Page

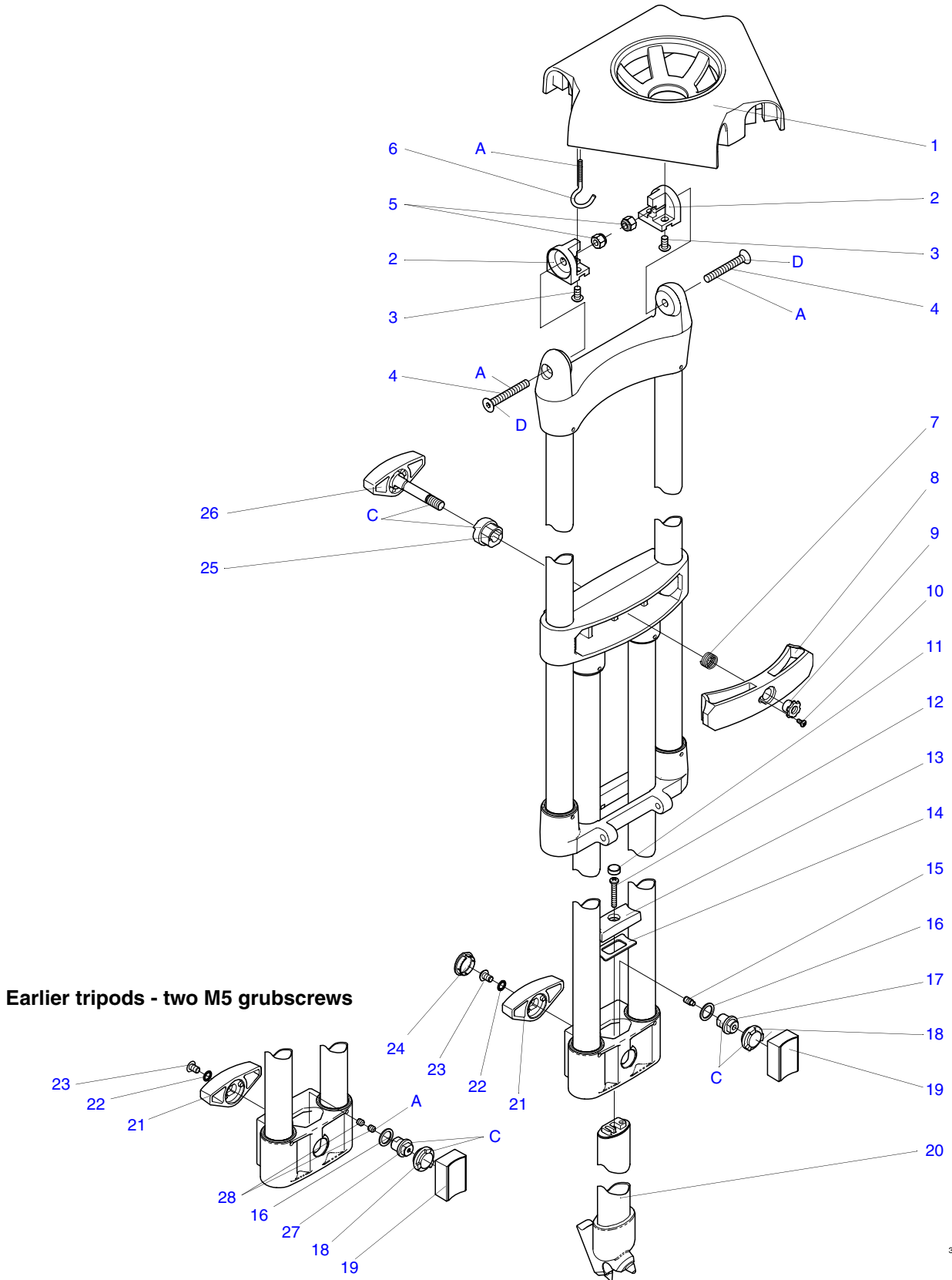


Previous
View

Pozi-Loc EFP Tripod (100 mm Bowl, Aluminium Legs) (3884-3)

Item No.	Part No.	Item	Qty
1	3380-201	Tripod head (see page 71)	1
2	3883-12	Leg assembly - lined leg (see page 74)	1
3	3312-12	Strap assembly (see page 74)	1
4	3883-11	Leg assembly (see page 71)	2
5	3310-227	Hook (ENG.) (see page 71)	1

Leg Assembly (Aluminium EFP Tripod) (3883-11)



See [page 7](#) for letter key to adhesives and lubricants

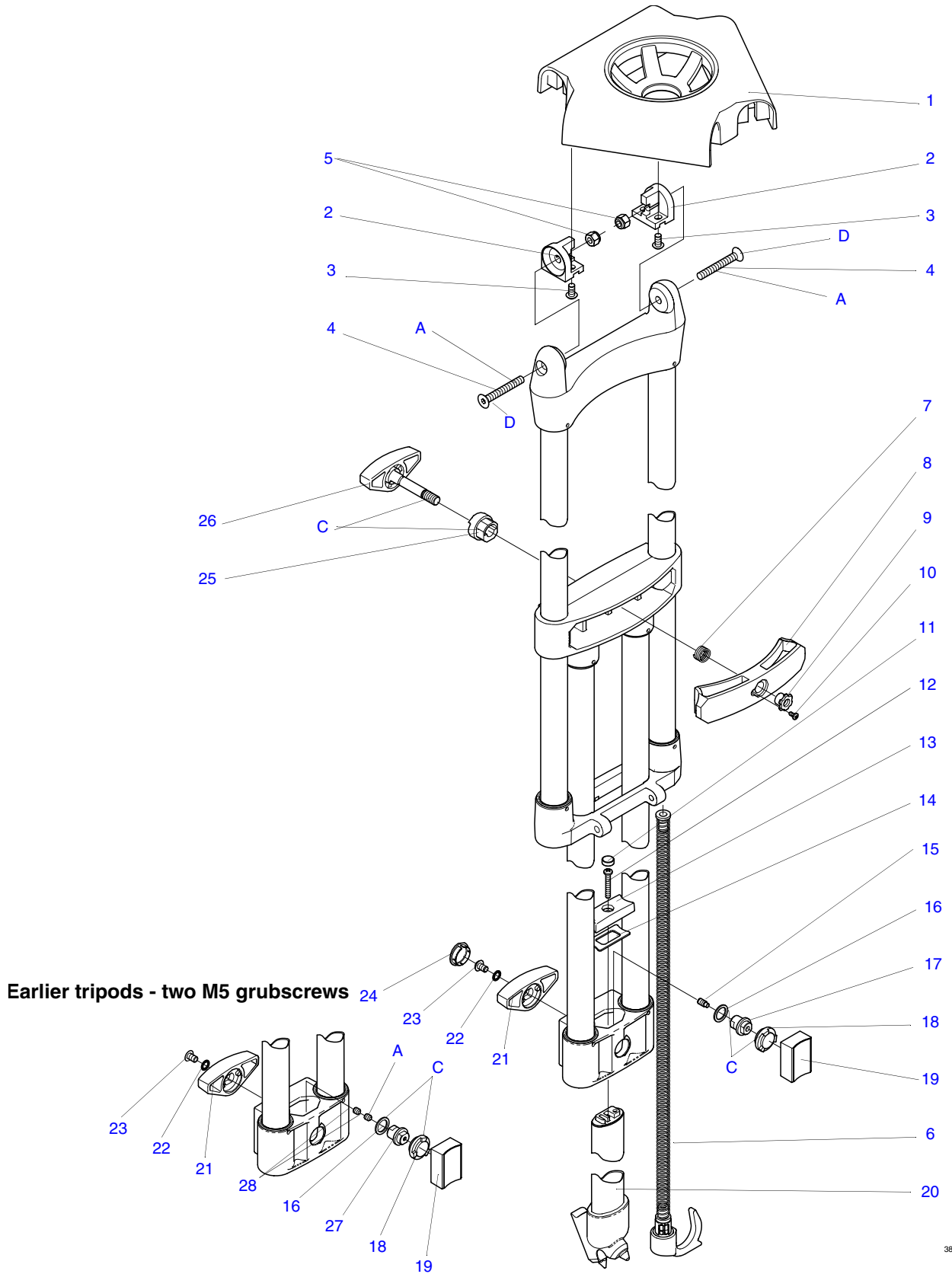
Leg Assembly (Aluminium EFP Tripod) (3883-11)

Item No.	Part No.	Item	Qty
1	3380-201	Tripod head	1
2	3312-211	Leg retainer	6
3	M006-511	Screw, button head, socket, M5 x 10 mm long	12
4	M007-911	Screw, countersunk head, socket, M6 x 45 mm long	6
5	M501-009	Nut, M6, nyloc, full	6
6	3310-227	Hook (ENG.)	6
	3883-11	Leg assembly - replaceable parts as follows:	
7	J532-076	Spring, compression, 0.625 in. free length, 0.480 in. OD x 0.500 in. hole dia., 22.00 lbf/in. rate	1
8	3516-13	Upper clamp assembly	1
9	3513-230	Aluminium threaded insert (2-start)	1
10	L101-026	Screw, self-tapping, pan head, pozidrive, No.4 x 1/4 in. long, type bt	1
11	3880-222	Screw cover, "T" piece	1
12	M101-003	Screw, self-tapping, pan head, pozidrive, M4 x 25 mm long	1
13	3880-221	Top piece cap	1
14	3880-218	"T" piece buffer	1
15	M006-813	Screw, grub, dog point, socket head, M5 x 10 mm long	1
16	3770-213	Washer-Lower clamp	1
17	3770-18	Clamp shaft assembly (lower)	1
18	3770-17	Clamp cam follower.	1
19	3880-17	Lower clamp cam assembly	1
20	3880-15	Lower leg assembly - oval tube	1
21	3770-229	Bottom Clamp Knob (Two Stops).	1
22	M601-010	Washer, shakeproof, internal, M5	1
23	M006-515	Screw, button head, socket, Mm5 x 8 mm long	1
24	3770-206	Knob cap, lower clamp knob.	1
25	3770-219	Top clamp cam insert.	1
26	3880-13	Top clamp shaft overmoulding	1

Leg Assembly (Aluminium EFP Tripod) (3883-11)

Item No.	Part No.	Item	Qty
NOTE: The design of the bottom clamp has been modified			
At Serial No. 00112, the shaft was fitted with a locking thread insert and the 2 x M5 grubscrews, were changed to 1 x M5 x 10 mm			
Earlier tripods - two M5 grubscrews			
16	3770-213	Washer-Lower clamp	1
18	3770-17	Clamp cam follower	1
19	3880-17	Lower clamp cam assembly	1
21	3770-229	Bottom Clamp Knob (Two Stops)	1
22	M601-010	Washer, shakeproof, internal, M5	1
23	M006-515	Screw, button head, socket, M5 x 8 mm long	1
27	3770-231	Bottom Clamp Shaft (M5)	1
28	M006-814	Screw, grub, flat point, skt head, M5 x 5 mm long	2

Leg Assembly - Lined Leg (Aluminium EFP Tripod) (3883-12)



3880_3_IP2

See page 7 for letter key to adhesives and lubricants

Leg Assembly - Lined Leg (Aluminium EFP Tripod) (3883-12)

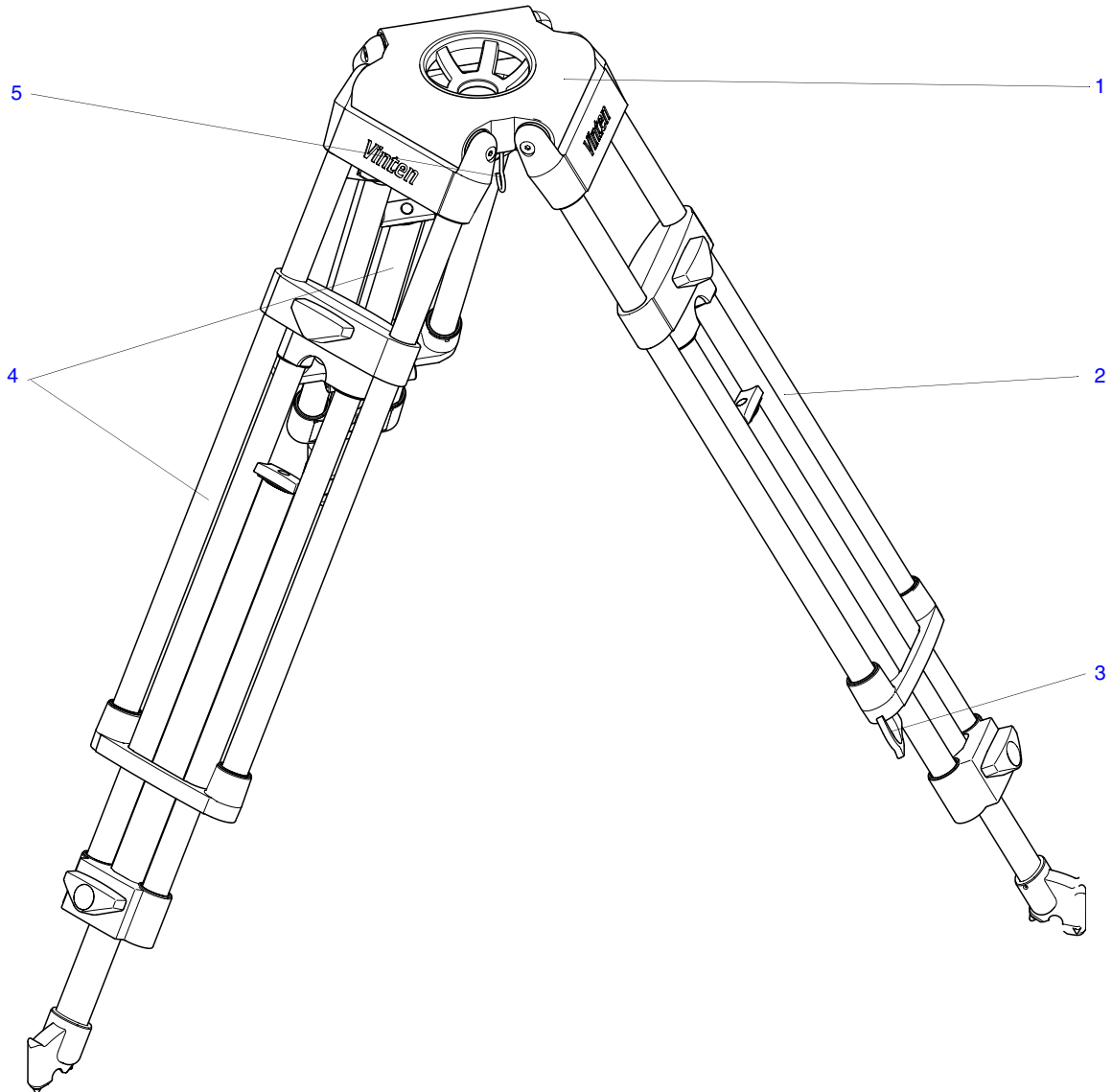
Item No.	Part No.	Item	Qty
1	3380-201	Tripod head	1
2	3312-211	Leg retainer	6
3	M006-511	Screw, button head, socket, M5 x 10 mm long	12
4	M007-911	Screw, countersunk head, socket, M6 x 45 mm long	6
5	M501-009	Nut, M6, nyloc, full	6
6	3312-12	Strap assembly	1
	3883-12	Leg assemby - lined leg - replaceable parts as follows:	
7	J532-076	Spring, compression, 0.625 in. free length, 0.480 in. OD x 0.500 in. hole dia., 22.00 lbf/in. rate	1
8	3516-13	Upper clamp assembly	1
9	3513-230	Aluminium threaded insert (2-start)	1
10	L101-026	Screw, self-tapping, pan head, pozidrive, No.4 x 1/4 in. long, type bt	1
11	3880-222	Screw cover, "T" piece	1
12	M101-003	Screw, self-tapping, pan head, pozidrive, M4 x 25 mm long	1
13	3880-221	Top piece cap	1
14	3880-218	"T" piece buffer	1
15	M006-813	Screw, grub, dog point, socket head, M5 x 10 mm long	1
16	3770-213	Washer-Lower clamp	1
17	3770-18	Clamp shaft assembly (lower)	1
18	3770-17	Clamp cam follower.	1
19	3880-17	Lower clamp cam assembly	1
20	3880-15	Lower leg assembly - oval tube	1
21	3770-229	Bottom Clamp Knob (Two Stops).	1
22	M601-010	Washer, shakeproof, internal, M5	1
23	M006-515	Screw, button head, socket, Mm5 x 8 mm long	1
24	3770-206	Knob cap, lower clamp knob.	1
25	3770-219	Top clamp cam insert.	1
26	3880-13	Top clamp shaft overmoulding	1



Leg Assembly - Lined Leg (Aluminium EFP Tripod) (3883-12)

Item No.	Part No.	Item	Qty
NOTE: The design of the bottom clamp has been modified			
At Serial No. 00112, the shaft was fitted with a locking thread insert and the 2 x M5 grubscrews, were changed to 1 x M5 x 10 mm			
Earlier tripods - two M5 grubscrews			
16	3770-213	Washer-Lower clamp	1
18	3770-17	Clamp cam follower	1
19	3880-17	Lower clamp cam assembly	1
21	3770-229	Bottom Clamp Knob (Two Stops)	1
22	M601-010	Washer, shakeproof, internal, M5	1
23	M006-515	Screw, button head, socket, M5 x 8 mm long	1
27	3770-231	Bottom Clamp Shaft (M5)	1
28	M006-814	Screw, grub, flat point, skt head, M5 x 5 mm long	2

Pozi-Loc EFP Tripod (100 mm Bowl, Carbon Fibre Legs) (3884-3)





First
Page



Previous
Page



Next
Page

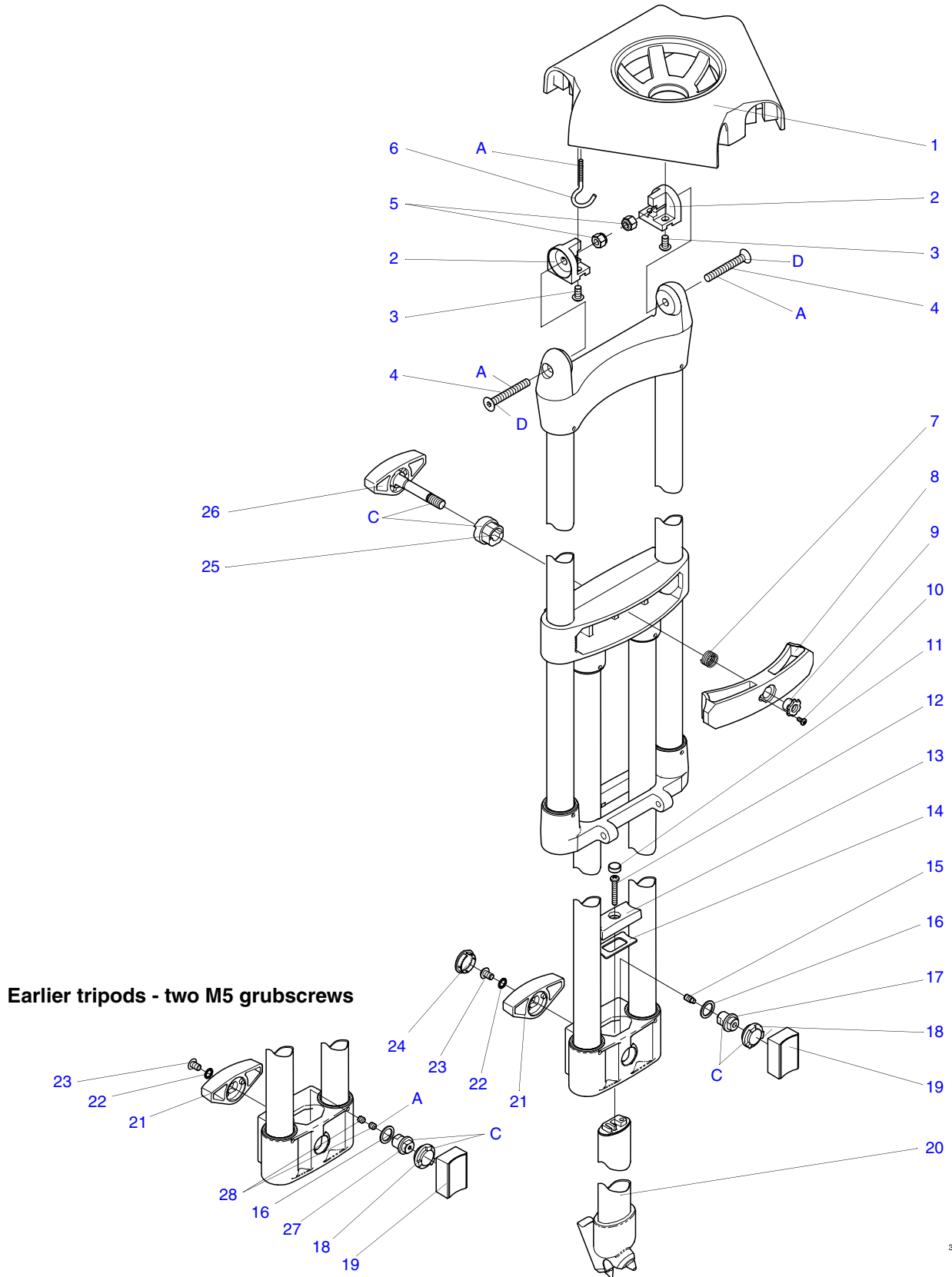


Previous
View

Pozi-Loc EFP Tripod (150 mm Bowl, Carbon Fibre Legs) (3881-3)

Item No.	Part No.	Item	Qty
1	3380-201	Tripod head (see page 79)	1
2	3881-12	Leg assembly - lined leg (see page 82)	1
3	3312-12	Strap assembly (see page 82)	1
4	3881-11	Leg assembly (see page 79)	2
5	3310-227	Hook (ENG.) (see page 79)	1

Leg Assembly (Carbon Fibre EFP Tripod) (3884-11)



See page 7 for letter key to adhesives and lubricants

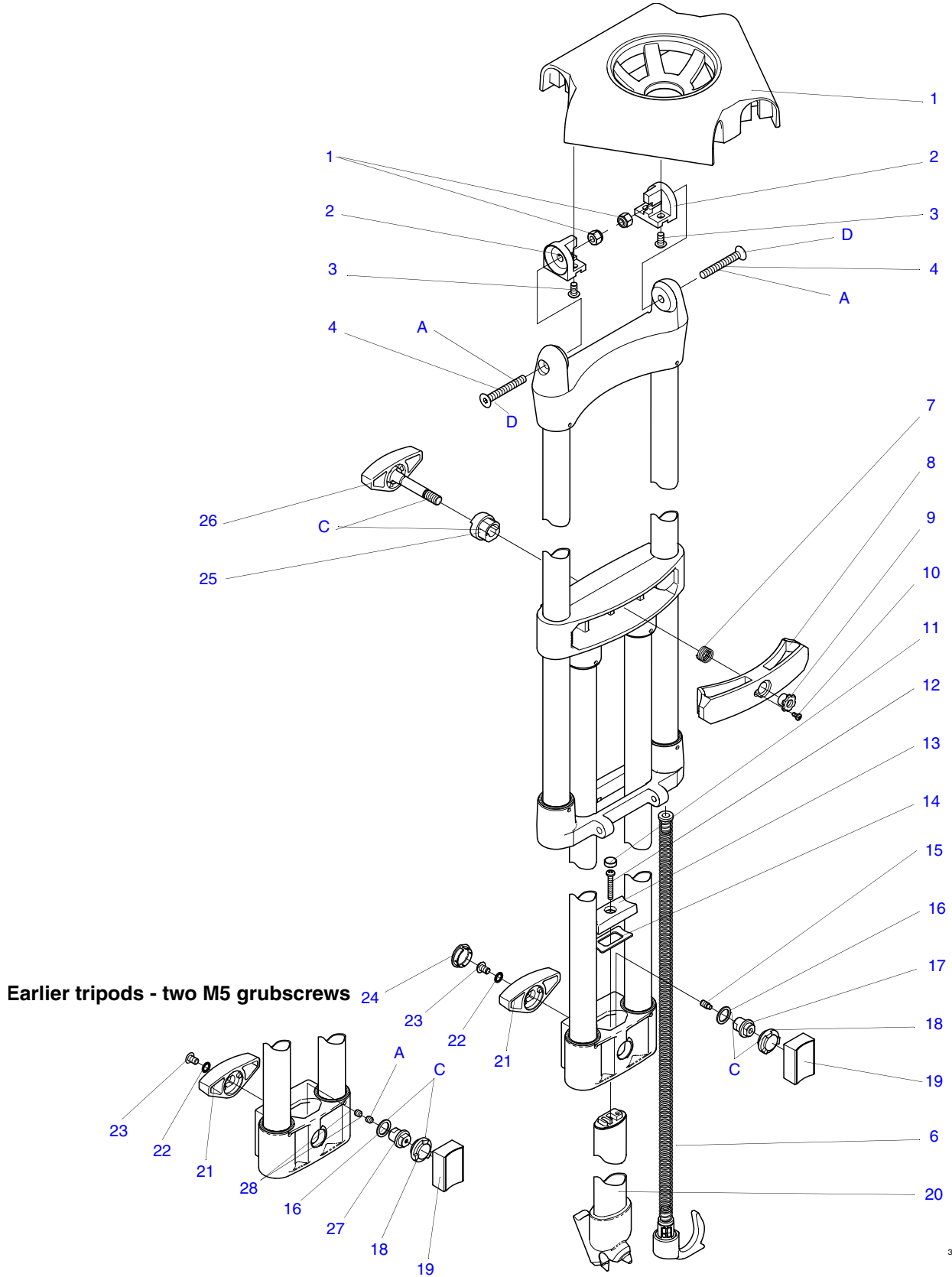
Leg Assembly (Carbon Fibre EFP Tripod) (3884-11)

Item No.	Part No.	Item	Qty
1	3380-201	Tripod head	1
2	3312-211	Leg retainer	6
3	M006-511	Screw, button head, socket, M5 x 10 mm long	12
4	M007-911	Screw, countersunk head, socket, M6 x 45 mm long	6
5	M501-009	Nut, M6, nyloc, full	6
6	3310-227	Hook (ENG.)	6
	3883-11	Leg assembly - replaceable parts as follows:	
7	J532-076	Spring, compression, 0.625 in. free length, 0.480 in. OD x 0.500 in. hole dia., 22.00 lbf/in. rate	1
8	3516-13	Upper clamp assembly	1
9	3513-230	Aluminium threaded insert (2-start)	1
10	L101-026	Screw, self-tapping, pan head, pozidrive, No.4 x 1/4 in. long, type bt	1
11	3880-222	Screw cover, "T" piece	1
12	M101-003	Screw, self-tapping, pan head, pozidrive, M4 x 25 mm long	1
13	3880-221	Top piece cap	1
14	3880-218	"T" piece buffer	1
15	M006-813	Screw, grub, dog point, socket head, M5 x 10 mm long	1
16	3770-213	Washer-Lower clamp	1
17	3770-18	Clamp shaft assembly (lower)	1
18	3770-17	Clamp cam follower.	1
19	3880-17	Lower clamp cam assembly	1
20	3880-15	Lower leg assembly - oval tube	1
21	3770-229	Bottom Clamp Knob (Two Stops).	1
22	M601-010	Washer, shakeproof, internal, M5	1
23	M006-515	Screw, button head, socket, Mm5 x 8 mm long	1
24	3770-206	Knob cap, lower clamp knob.	1
25	3770-219	Top clamp cam insert.	1
26	3880-13	Top clamp shaft overmoulding	1

Leg Assembly (Carbon Fibre EFP Tripod) (3884-11)

Item No.	Part No.	Item	Qty
NOTE: The design of the bottom clamp has been modified			
At Serial No. 00108, the shaft was fitted with a locking thread insert and the 2 x M5 grubscrews, were changed to 1 x M5 x 10 mm			
Earlier tripods - two M5 grubscrews			
16	3770-213	Washer-Lower clamp	1
18	3770-17	Clamp cam follower	1
19	3880-17	Lower clamp cam assembly	1
21	3770-229	Bottom Clamp Knob (Two Stops)	1
22	M601-010	Washer, shakeproof, internal, M5	1
23	M006-515	Screw, button head, socket, M5 x 8 mm long	1
27	3770-231	Bottom Clamp Shaft (M5)	1
28	M006-814	Screw, grub, flat point, skt head, M5 x 5 mm long	2

Leg Assembly - Lined Leg (Carbon Fibre EFP Tripod) (3884-12)



3880_3_IP2

See page 7 for letter key to adhesives and lubricants

Leg Assembly - Lined Leg (Carbon Fibre EFP Tripod) (3884-12)

Item No.	Part No.	Item	Qty
1	3380-201	Tripod head	1
2	3312-211	Leg retainer	6
3	M006-511	Screw, button head, socket, M5 x 10 mm long	12
4	M007-911	Screw, countersunk head, socket, M6 x 45 mm long	6
5	M501-009	Nut, M6, nyloc, full	6
6	3312-12	Strap assembly	1
	3883-12	Leg assemly - lined leg - replaceable parts as follows:	
7	J532-076	Spring, compression, 0.625 in. free length, 0.480 in. OD x 0.500 in. hole dia., 22.00 lbf/in. rate	1
8	3516-13	Upper clamp assembly	1
9	3513-230	Aluminium threaded insert (2-start)	1
10	L101-026	Screw, self-tapping, pan head, pozidrive, No.4 x 1/4 in. long, type bt	1
11	3880-222	Screw cover, "T" piece	1
12	M101-003	Screw, self-tapping, pan head, pozidrive, M4 x 25 mm long	1
13	3880-221	Top piece cap	1
14	3880-218	"T" piece buffer	1
15	M006-813	Screw, grub, dog point, socket head, M5 x 10 mm long	1
16	3770-213	Washer-Lower clamp	1
17	3770-18	Clamp shaft assembly (lower)	1
18	3770-17	Clamp cam follower.	1
19	3880-17	Lower clamp cam assembly	1
20	3880-15	Lower leg assembly - oval tube	1
21	3770-229	Bottom Clamp Knob (Two Stops).	1
22	M601-010	Washer, shakeproof, internal, M5	1
23	M006-515	Screw, button head, socket, Mm5 x 8 mm long	1
24	3770-206	Knob cap, lower clamp knob.	1
25	3770-219	Top clamp cam insert.	1
26	3880-13	Top clamp shaft overmoulding	1



Leg Assembly - Lined Leg (Carbon Fibre EFP Tripod) (3884-12)

Item No.	Part No.	Item	Qty
NOTE: The design of the bottom clamp has been modified			
At Serial No. 00108, the shaft was fitted with a locking thread insert and the 2 x M5 grubscrews, were changed to 1 x M5 x 10 mm			
Earlier tripods - two M5 grubscrews			
16	3770-213	Washer-Lower clamp	1
18	3770-17	Clamp cam follower	1
19	3880-17	Lower clamp cam assembly	1
21	3770-229	Bottom Clamp Knob (Two Stops)	1
22	M601-010	Washer, shakeproof, internal, M5	1
23	M006-515	Screw, button head, socket, M5 x 8 mm long	1
27	3770-231	Bottom Clamp Shaft (M5)	1
28	M006-814	Screw, grub, flat point, skt head, M5 x 5 mm long	2



First
Page



Previous
Page



Next
Page



Previous
View

Part 2 - Repairs

Identifying modified bottom clamps

One-stop/two-stop

1 To prevent the bottom clamps on two-stage Pozi-Loc tripods being damaged by inadvertent overtightening, the bottom clamp housing and clamp knob were modified to a two-stop version. At the same time, the securing thread for the knob and the thread for the locking grubscrews was increased from M4 to M5. Clamp components are not interchangeable.

2 Tripod serial numbers for this modification are as follows, but customers should be aware that earlier tripods may be fitted with replacement legs of modified design.

Tripod Type	Part No.	Serial No.
75 mm Aluminium	3774-3	01007
75 mm Carbon fibre	3776-3	00337
100 mm Aluminium	3770-3	00758
100 mm Carbon fibre	3772-3	00493
100 mm Baby Legs	3778-3	00124

Identification

3 Turn the clamp knob (4) counter-clockwise to the 'OFF' position.

4 Using a suitable instrument, such as a flat-bladed screwdriver, carefully remove the knob cap (1).

5 Remove the retaining screw (2) and washer (3), and pull off the clamp knob (4).

Unmodified clamps

6 Unmodified clamps may be identified by having one stop on the reverse and an M4 clearance hole. They are secured using an M4 screw and washer.

Modified clamps

7 Modified clamps have two stops on the reverse and an M5 clearance hole. They are secured using an M5 screw and washer.

Adjustment grubscrews

8 The design of the modified bottom clamp shaft changed during 2005. The adjustment and locking grubscrews were replaced by a single grubscrew retained by a locking thread insert.

9 Tripod serial numbers for this modification are as follows, but customers should be aware that earlier tripods may be fitted with replacement legs of modified design.

Tripod Type	Part No.	Serial No.
75 mm Aluminium	3774-3	03757
75 mm Carbon fibre	3776-3	02574
100 mm Aluminium	3770-3	03783
100 mm Carbon fibre	3772-3	04677
100 mm Aluminium EFP	3883-3	00112
100 mm Carbon fibre EFP	3884-3	00108
150 mm Aluminium EFP	3880-3	00873
150 mm Carbon fibre EFP	3881-3	01175
75 mm Baby Legs	3779-3	00206
100 mm Baby Legs	3778-3	00223
150 mm Baby Legs	3882-3	00114

Identification

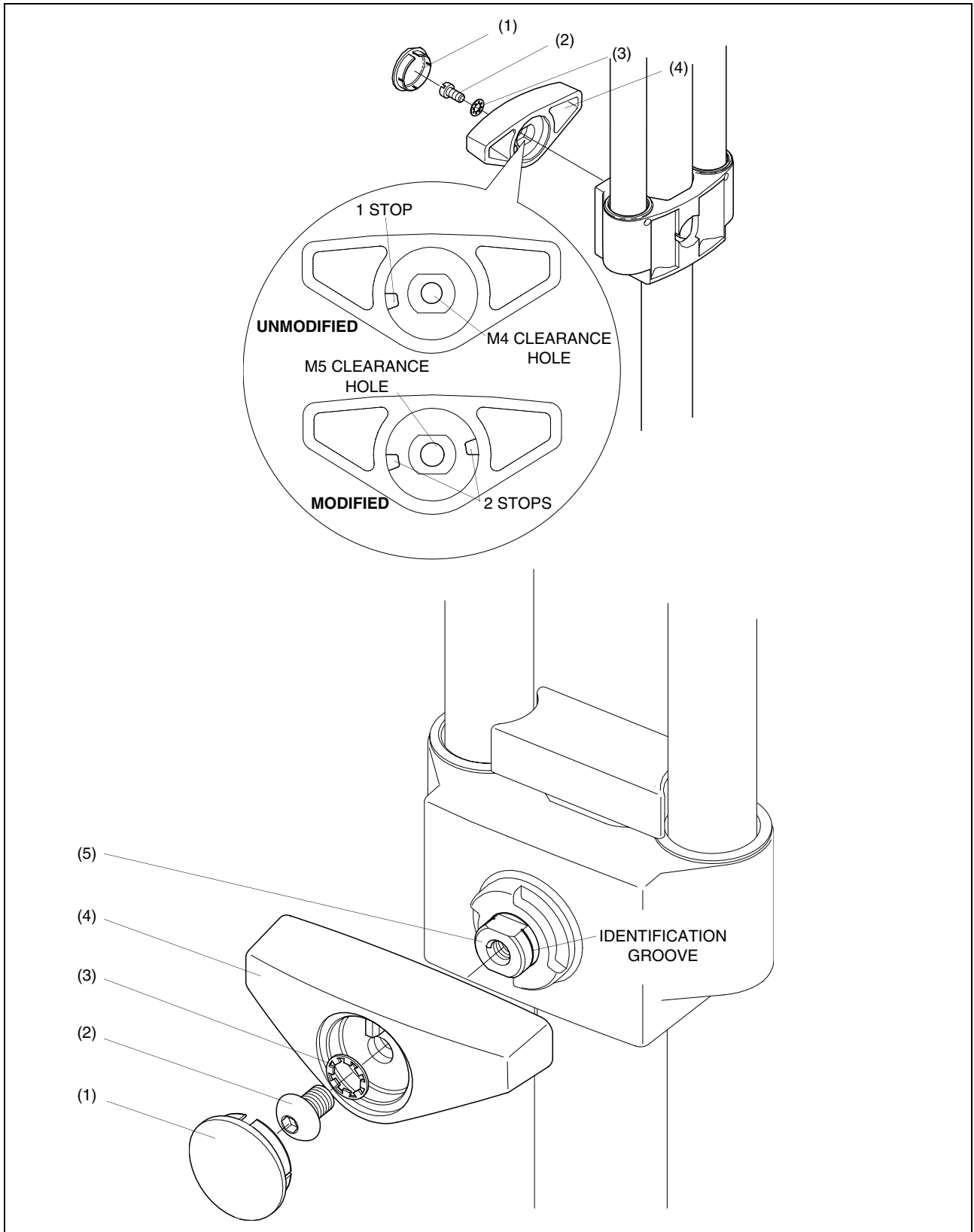
- 10 Turn the clamp knob (4) counter-clockwise to the 'OFF' position.
- 11 Using a suitable instrument, such as a flat-bladed screwdriver, carefully remove the knob cap (1).
- 12 Remove the retaining screw (2) and washer (3), and pull off the clamp knob (4).

Earlier clamps

13 Earlier clamps have a smooth shaft (5) and are fitted with locking and adjusting grubscrews. Loctite is used on these screws

Later clamps

14 Later clamps have a groove machined in the shaft (5) and are fitted with a single, longer, adjusting grubscrew, retained by a locking thread insert.



Identifying bottom clamps

Adjusting 'Pozi-Loc' leg clamps

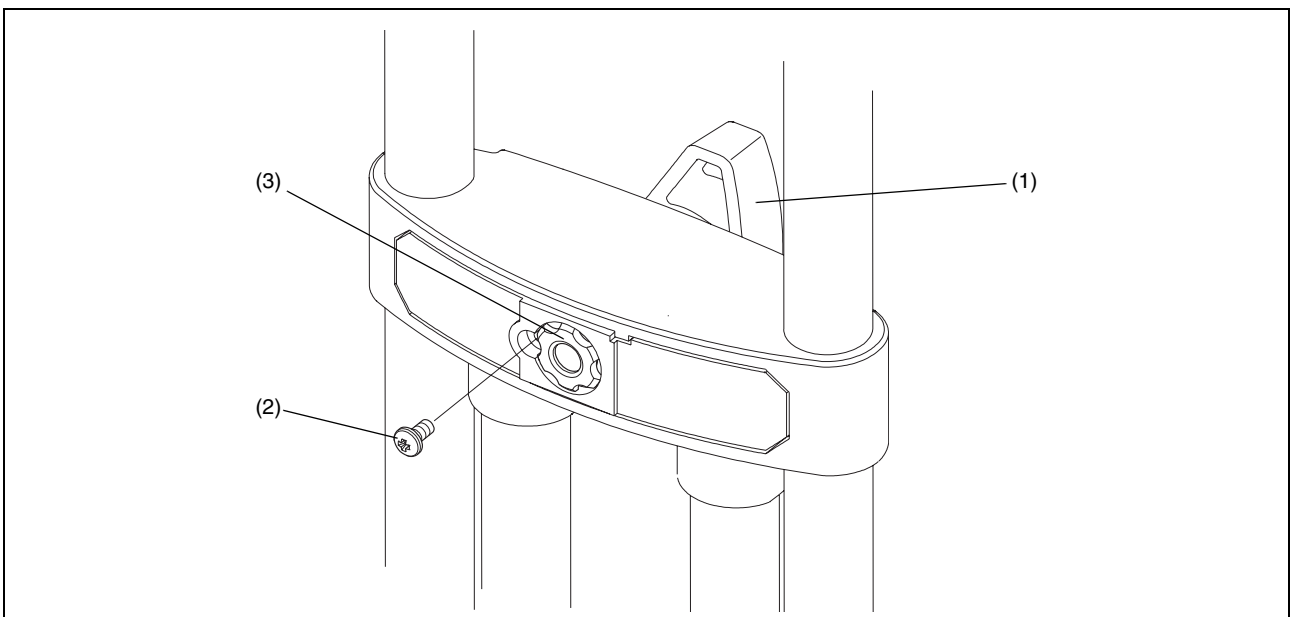
1 Bedding-in occurs with 'Pozi-Loc' leg clamps, which may necessitate resetting the clamp. Check the effectiveness of each leg clamp as follows:

- 1.1 Extend all three tripod legs fully and apply the clamp(s).
- 1.2 Position each leg in turn vertically on a set of weighing scales.
- 1.3 Gradually apply body weight to the leg until either or both clamps begin to slip. Note the reading on the scales at which this occurs.
- 1.4 A reading of less than 35 kg (77 lb) will necessitate adjustment.

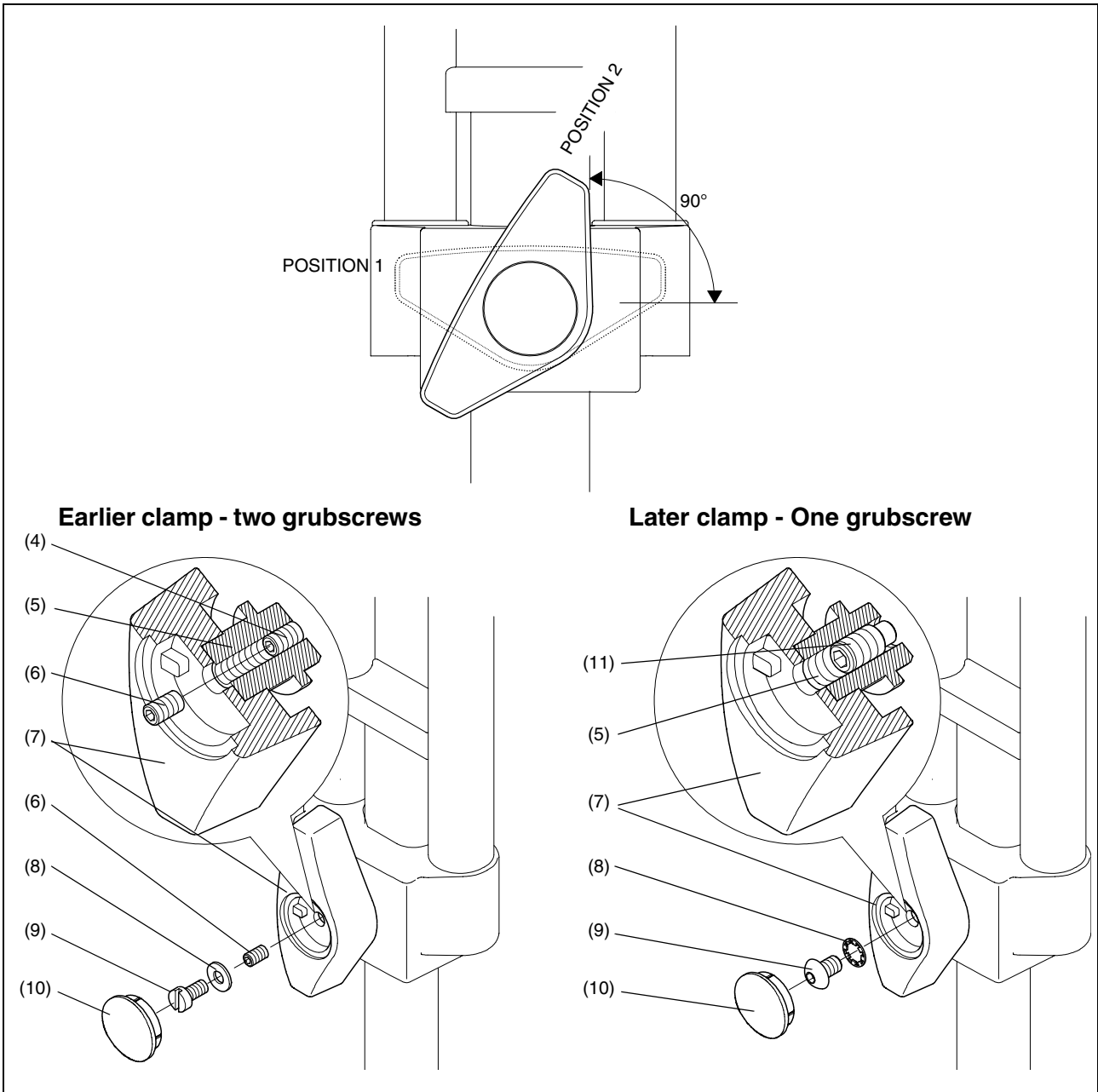
Top clamp

2 Adjust the top clamp as follows:

- 2.1 Turn the clamp knob (1) to the vertical, 'off' position
- 2.2 Remove screw (2). Using a suitable peg spanner, back off the threaded insert (3) slot by slot until the leg is free to move under its own weight.
- 2.3 While sliding the leg in and out, gradually tighten the threaded insert (3) until the clamp begins to grip.
- 2.4 If not aligned, back off the threaded insert (3) until a slot aligns with the hole for screw (2).
- 2.5 **Carbon fibre tripods** - back off the threaded insert (3) **two** further slots.
- 2.6 **Aluminium tripods** - back off the threaded insert (3) **three** further slots
- 2.7 Install screw (2) to secure the threaded insert (3).



Adjusting 'Pozi-Loc' top clamps



Adjusting 'Pozi-Loc' bottom clamps

Bottom clamp

- 3 The design of the bottom clamp changed during 2005. Check version as follows:
 - 3.1 Turn the clamp knob (7) to Position 1 (fully 'on').
 - 3.2 Using a suitable instrument, such as a flat-bladed screwdriver, carefully remove the knob cap (10).
 - 3.3 Remove the retaining screw (9) and washer (8) and pull off the clamp knob (7).

3.4 Examine the shaft.

3.4.1 Earlier clamps have a smooth shaft and are fitted with locking and adjusting grubscrews. Loctite is used on these screws

3.4.2 Later clamps have a groove machined in the shaft and are fitted with a single, longer, adjusting grubscrew, retained by a locking thread insert.

NOTE: For further information, refer to “[Identifying modified bottom clamps](#)” on page 86.

4 Adjust an earlier clamp as follows:

4.1 Replace the clamp knob (7) and rotate to position 2.

4.2 Using a 2 mm hexagonal wrench, remove the locking grubscrew (6) from the shaft (5).

4.3 Using a 2 mm hexagonal wrench, slacken the adjusting grubscrew (4) until the leg is free to move under its own weight.

4.4 With the knob still in Position 2, slide the leg in and out and gradually tighten the adjusting grubscrew (4) until the clamp begins to grip.

4.5 Back off the adjusting grubscrew (4) by a quarter-turn (90°).

4.6 Turn the clamp knob (7) to Position 1 (fully ‘on’).

4.7 Replace and tighten the locking grubscrew (6), using Loctite 221 and allow 15 minutes for the Loctite to set.

4.8 Secure the clamp knob (7) with the washer (8) and retaining screw (9). Refit the knob cap (10).

5 Adjust a later clamp as follows:

5.1 Replace the clamp knob (7) and rotate to position 2.

5.2 Using a 2 mm hexagonal wrench, slacken the grubscrew (11) until the leg is free to move under its own weight.

5.3 With the knob still in Position 2, slide the leg in and out and gradually tighten the grubscrew (11) until the clamp begins to grip.

5.4 Back off the grubscrew (11) by a quarter-turn (90°).

5.5 Secure the clamp knob (7) with the washer (8) and retaining screw (9). Refit the knob cap (10).

Replacing the components of the top clamp assembly (ENG and EFP tripods)

Consumables

- 1 The following consumable materials will be required:

Loctite 221 (Vinten Part No. Z002-026)

White bearing grease (Vinten Part No. Z150-085)

Dismantling

- 2 Dismantle the top clamp as follows:

2.1 Turn the clamp (4) counter-clockwise to the 'OFF' position.

2.2 Remove screw (8). Using a suitable peg spanner, unscrew and remove the threaded insert (7).

2.3 Remove the clamp assembly (6) from the top clamp moulding (5).

2.4 Remove the clamp knob (1) and the clamp insert (2). Pull the clamp insert off the shaft of the clamp knob.

Assembly

- 3 Assemble the top clamp as follows:

3.1 Apply white bearing grease to the cam surface of the cam insert (2) and the thread of the clamp knob (1).

3.2 Install the cam insert (2) on the clamp knob (1) and position in the top clamp moulding (5). Turn the clamp knob (1) to the vertical, 'off' position

3.3 Install the clamp assembly (6) in the top clamp moulding (5).

3.4 Screw the threaded insert (7) onto the shaft of the clamp knob (1).

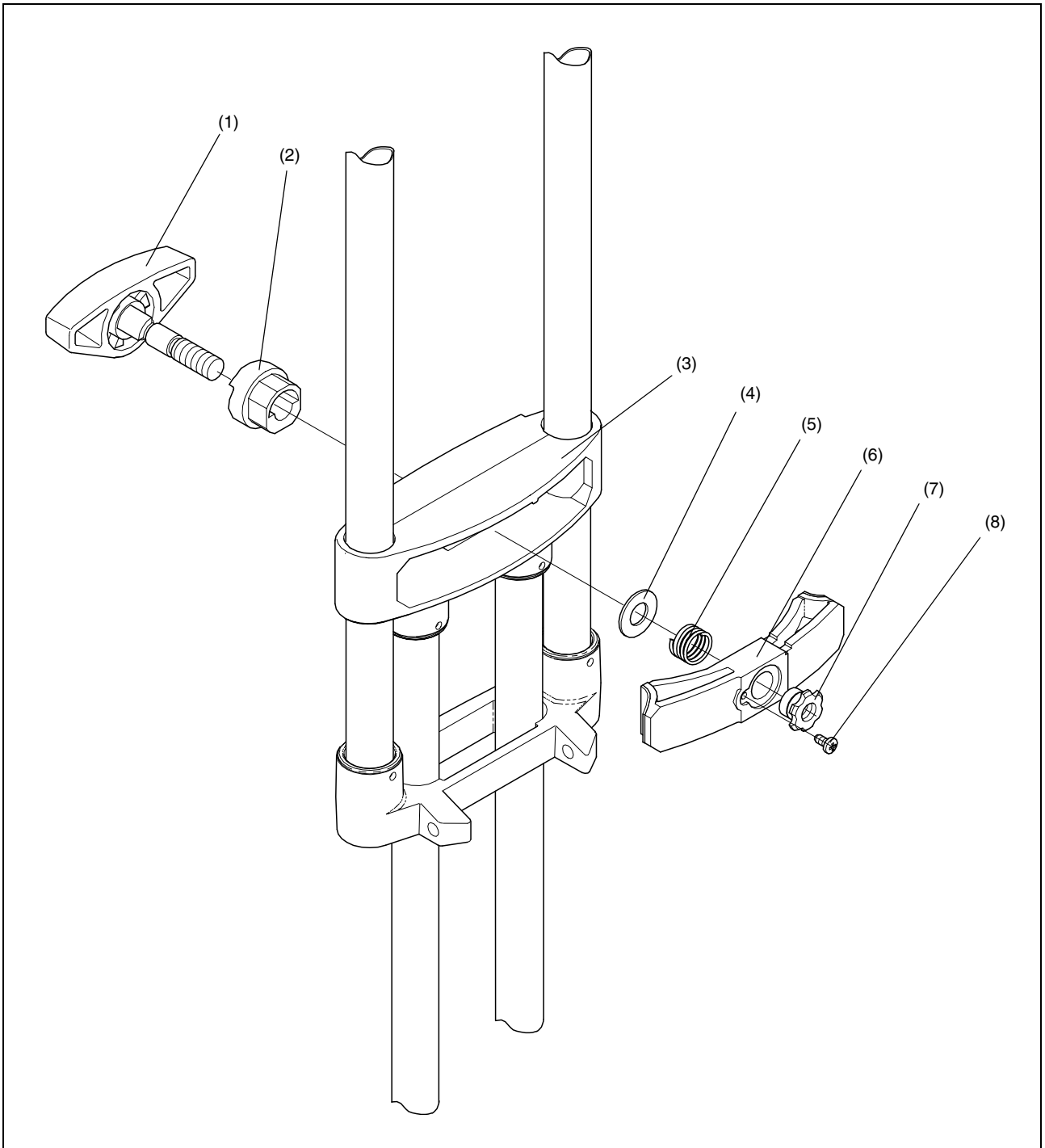
3.5 While sliding the leg in and out, gradually tighten the threaded insert (7) until the clamp begins to grip.

3.6 If not aligned, back off the threaded insert (7) until a slot aligns with the hole for screw (8).

3.7 **Carbon fibre tripods (black legs)** - back off the threaded insert (7) a further **two** slots.

3.8 **Aluminium tripods (grey legs)** - back off the threaded insert (7) a further **three** slots

3.9 Install screw (8) to secure the threaded insert (7).



Replacing the components of the top clamp assembly (EFP and ENG tripods)

Replacing the components of the bottom clamp assembly (two-stage ENG tripods)

Introduction

- 1 To dismantle the bottom clamp it is necessary to remove the oval leg.

NOTE: Construction of the 'Baby-Legs' leg assembly precludes the replacement of the bottom clamp components.
The design of the bottom clamp has been modified twice.
The knobs changed from "one stop" to "two stop" and the shaft thread from M4 to M5. Two 5 mm grubscrews were fitted. Later the shaft was fitted with a locking thread insert and the grubscrews were changed to 1 x M5 x 10 mm.
For Serial Number information, refer to "[Identifying modified bottom clamps](#)" on page 86.

Consumables

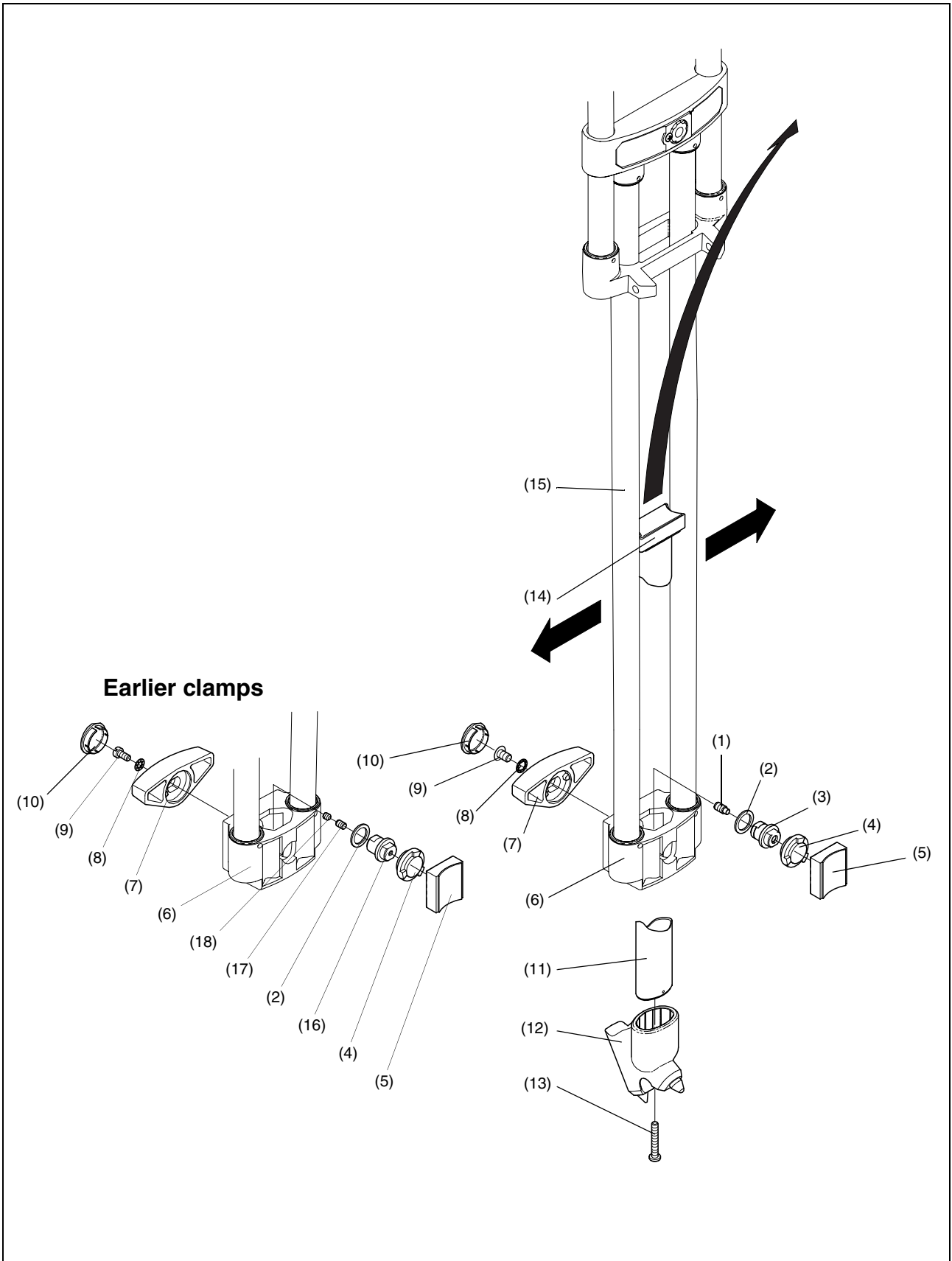
- 2 The following adhesive will be required:

Loctite 221 (Vinten Part No. Z002-026)

White bearing grease (Vinten Part No. Z150-085)

Dismantling - current clamps

- 3 Remove the clamp knob as follows:
 - 3.1 Turn the clamp knob (7) counter-clockwise to the 'OFF' position.
 - 3.2 Using a suitable instrument, such as a flat-bladed screwdriver, carefully remove the knob cap (10).
 - 3.3 Remove the screw (9), washer (8) and clamp knob (7).
 - 3.4 Remove the grubscrew (7).
- 4 Remove the oval leg as follows:
 - 4.1 Remove the screw (13) securing the foot (12) to the oval leg tube (11).
 - 4.2 Slide the leg upwards until the T-piece (14) is at about the midway position.
 - 4.3 Flex the leg tubes (15) outwards and disengage the T-piece (14) towards the rear. Pull the oval leg backwards and upwards out of the bottom clamp.
- 5 Remove the bottom clamp as follows:
 - 5.1 Remove the lower clamp assembly (5), the cam moulding (4), the bottom clamp shaft (3) and the washer (2) from the bottom clamp moulding (6).



Replacing the components of the bottom clamp assembly (two-stage ENG tripods)

Assembly - current clamps

- 6 Install the bottom clamp as follows:
 - 6.1 Apply white bearing grease to the cam surface of the cam moulding (4) and the washer (2).
 - 6.2 Install the washer (2), the bottom clamp shaft (3), the cam moulding (4) and the lower clamp assembly (5) in the bottom clamp moulding (6).
- 7 Install the oval leg as follows:
 - 7.1 Working from the rear, insert the oval leg in the bottom clamp moulding (6), taking care not to damage the surface of the lower clamp assembly (5).
 - 7.2 Push the leg down until the T-piece (14) is at about the midway position. Flex the leg tubes (15) outwards and engage the T-piece (14) with the legs.
 - 7.3 Refit the foot (12) on the oval leg tube (11) and secure with the screw (13).
- 8 Install the clamp knob as follows:
 - 8.1 Position the clamp knob (7) on the bottom clamp shaft (3) and turn the knob counter-clockwise to the 'OFF' position
 - 8.2 Install the grubscrew (1) in the bottom clamp shaft (3).
- 9 Adjust the clamp. [See "Adjusting 'Pozi-Loc' leg clamps" on page 89.](#)

Dismantling - earlier clamps

- 10 Remove the clamp knob as follows:
 - 10.1 Turn the clamp knob (7) counter-clockwise to the 'OFF' position.
 - 10.2 Using a suitable instrument, such as a flat-bladed screwdriver, carefully remove the knob cap (10).
 - 10.3 Remove the screw (9), washer (8) and clamp knob (7).
 - 10.4 Remove the locking grubscrew (18) and grubscrew (17).
- 11 Remove the oval leg as follows:
 - 11.1 Remove the screw (13) securing the foot (12) to the oval leg tube (11).
 - 11.2 Slide the leg upwards until the T-piece (14) is at about the midway position.
 - 11.3 Flex the leg tubes (15) outwards and disengage the T-piece (14) towards the rear. Pull the oval leg backwards and upwards out of the bottom clamp.
- 12 Remove the bottom clamp as follows:
 - 12.1 Remove the lower clamp assembly (5), the cam moulding (4), the bottom clamp shaft (16) and the washer (2) from the bottom clamp moulding (6).

Assembly - earlier clamps

13 Install the bottom clamp as follows:

13.1 Apply white bearing grease to the cam surface of the cam moulding (4) and the washer (2).

13.2 Install the washer (2), the bottom clamp shaft (16), the cam moulding (4) and the lower clamp assembly (5) in the bottom clamp moulding (6).

14 Install the oval leg as follows:

14.1 Working from the rear, insert the oval leg in the bottom clamp moulding (6), taking care not to damage the surface of the lower clamp assembly (6).

14.2 Push the leg down until the T-piece (14) is at about the midway position. Flex the leg tubes (15) outwards and engage the T-piece (14) with the legs.

14.3 Refit the foot (12) on the oval leg tube (11) and secure with the screw (13).

15 Install the clamp knob as follows:

15.1 Position the clamp knob (7) on the bottom clamp shaft (16) and turn the knob counter-clockwise to the 'OFF' position.

NOTE: On M5 bottom clamps, the grubscrews (17) and (18) are identical (M5 x 5 mm).

15.2 Install the grubscrew (18) in the bottom clamp shaft (16).

16 Adjust the clamp. See [“Adjusting ‘Pozi-Loc’ leg clamps” on page 89.](#)

Replacing the components of the bottom clamp assembly (two-stage EFP tripods)

Introduction

- 1 To dismantle the bottom clamp it is necessary to remove the oval leg.

NOTE: The design of the bottom clamp has been modified. Earlier tripods had two 5 mm grubscrews fitted in the clamp shaft. Later the shaft was fitted with a locking thread insert and the grubscrews were changed to 1 x M5 x 10 mm. For Serial Number information, refer to [“Identifying modified bottom clamps” on page 86.](#)

Consumables

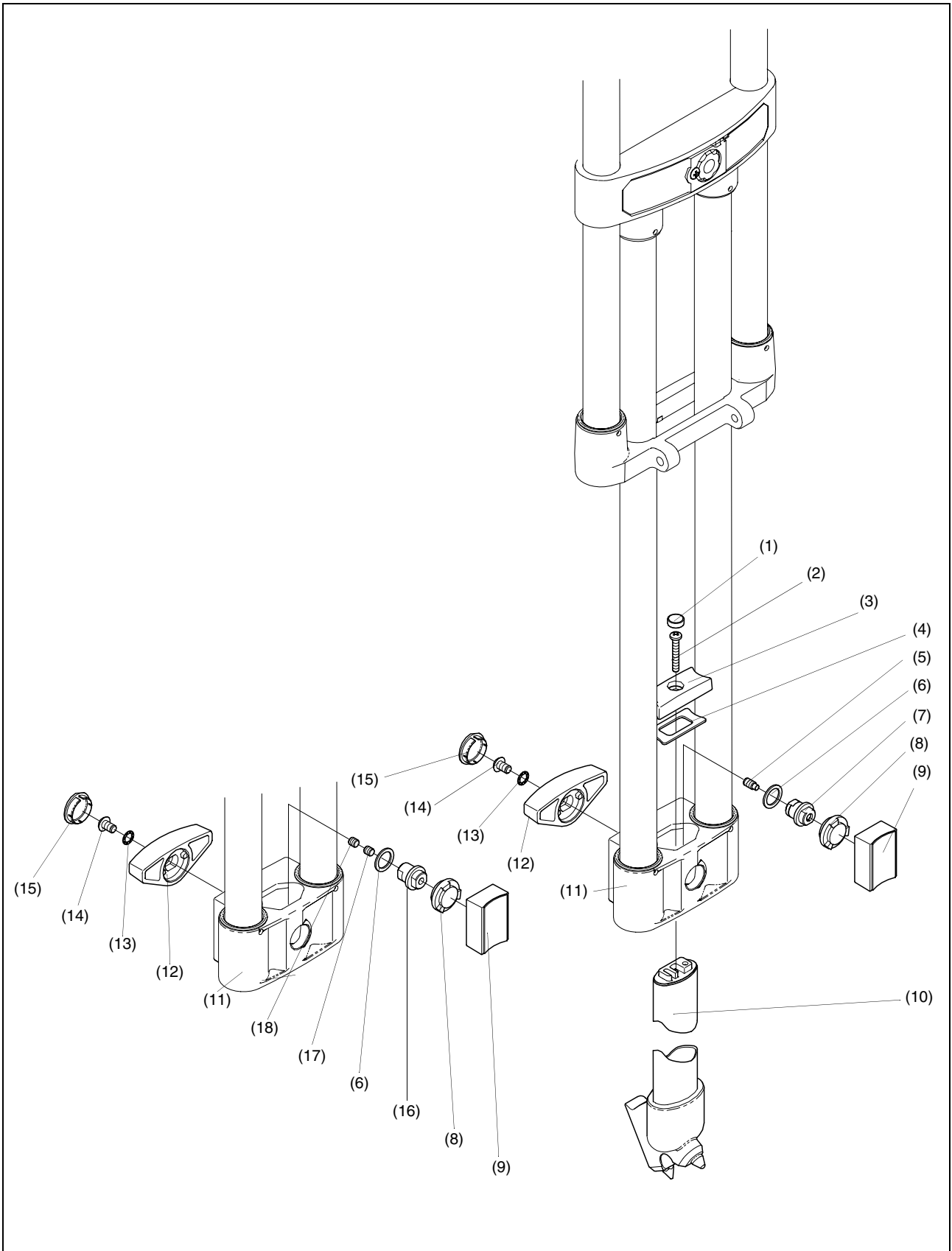
- 2 The following adhesive will be required:

Loctite 221 (Vinten Part No. Z002-026)

White bearing grease (Vinten Part No. Z150-085)

Dismantling - current clamps

- 3 Remove the clamp knob as follows:
 - 3.1 Turn the clamp knob (12) counter-clockwise to the ‘OFF’ position.
 - 3.2 Using a suitable instrument, such as a flat-bladed screwdriver, carefully remove the knob cap (15).
 - 3.3 Remove the screw (14), washer (13) and clamp knob (12).
 - 3.4 Remove the grubscrew (5).
- 4 Remove the oval leg as follows:
 - 4.1 Carefully remove the screw cover (1).
 - 4.2 Remove the screw (2) securing the T-piece cap (3) and T-piece buffer (4) to the oval leg tube (10).
 - 4.3 Pull the oval leg downwards out of the bottom clamp.
- 5 Remove the bottom clamp as follows:
 - 5.1 Remove the lower clamp assembly (9), the cam moulding (8), the bottom clamp shaft (8) and the washer (6) from the bottom clamp moulding (11).



Replacing the components of the bottom clamp assembly (two-stage EFP tripods)

Assembly - current clamps

- 6 Install the bottom clamp as follows:
 - 6.1 Apply white bearing grease to the cam surface of the cam moulding (8) and the washer (6).
 - 6.2 Install the washer (6), the bottom clamp shaft (7), the cam moulding (8) and the lower clamp assembly (9) in the bottom clamp moulding (11).
- 7 Install the oval leg as follows:
 - 7.1 Insert the oval leg (10) in the bottom clamp moulding (11), taking care not to damage the surface of the lower clamp assembly (9).
 - 7.2 Position the T-piece buffer (4) and T-piece cap (3) on the oval leg tube (10) and secure with screw (2).
 - 7.3 Refit the screw cover (1).
- 8 Install the clamp knob as follows:
 - 8.1 Position the clamp knob (12) on the bottom clamp shaft (7) and turn the knob counter-clockwise to the 'OFF' position.
 - 8.2 Install the grubscrew (5) in the bottom clamp shaft (7).
- 9 Adjust the clamp [See "Adjusting 'Pozi-Loc' leg clamps" on page 89.](#)

Dismantling - earlier clamps

- 10 Remove the clamp knob as follows:
 - 10.1 Turn the clamp knob (12) counter-clockwise to the 'OFF' position.
 - 10.2 Using a suitable instrument, such as a flat-bladed screwdriver, carefully remove the knob cap (15).
 - 10.3 Remove the screw (14), washer (13) and clamp knob (12).
 - 10.4 Remove the locking grubscrew (18) and adjusting grubscrew (17).
- 11 Remove the oval leg as follows:
 - 11.1 Carefully remove the screw cover (1).
 - 11.2 Remove the screw (2) securing the T-piece cap (3) and T-piece buffer (4) to the oval leg tube (10).
 - 11.3 Pull the oval leg downwards out of the bottom clamp.
- 12 Remove the bottom clamp as follows:
 - 12.1 Remove the lower clamp assembly (9), the cam moulding (8), the bottom clamp shaft (16) and the washer (6) from the bottom clamp moulding (11).



Assembly - earlier clamps

13 Install the bottom clamp as follows:

13.1 Apply white bearing grease to the cam surface of the cam moulding (8) and the washer (6).

13.2 Install the washer (6), the bottom clamp shaft (16), the cam moulding (8) and the lower clamp assembly (9) in the bottom clamp moulding (11).

14 Install the oval leg as follows:

14.1 Insert the oval leg (10) in the bottom clamp moulding (11), taking care not to damage the surface of the lower clamp assembly (9).

14.2 Position the T-piece buffer (4) and T-piece cap (3) on the oval leg tube (10) and secure with screw (2).

14.3 Refit the screw cover (1).

15 Install the clamp knob as follows:

15.1 Position the clamp knob (12) on the bottom clamp shaft (16) and turn the knob counter-clockwise to the 'OFF' position.

15.2 Install the adjusting grub screw (17) in the bottom clamp shaft (16).

16 Adjust the clamp. See [“Adjusting ‘Pozi-Loc’ leg clamps” on page 89.](#)

Replacing tripod legs (ENG tripods)

Introduction

- 1 The legs are secured in the bowl assembly by pivot clamps. Each clamp is secured by a single screw.

Consumables

- 2 The following adhesive will be required:
Loctite 221 (Vinten Part No. Z002-026)

Removal

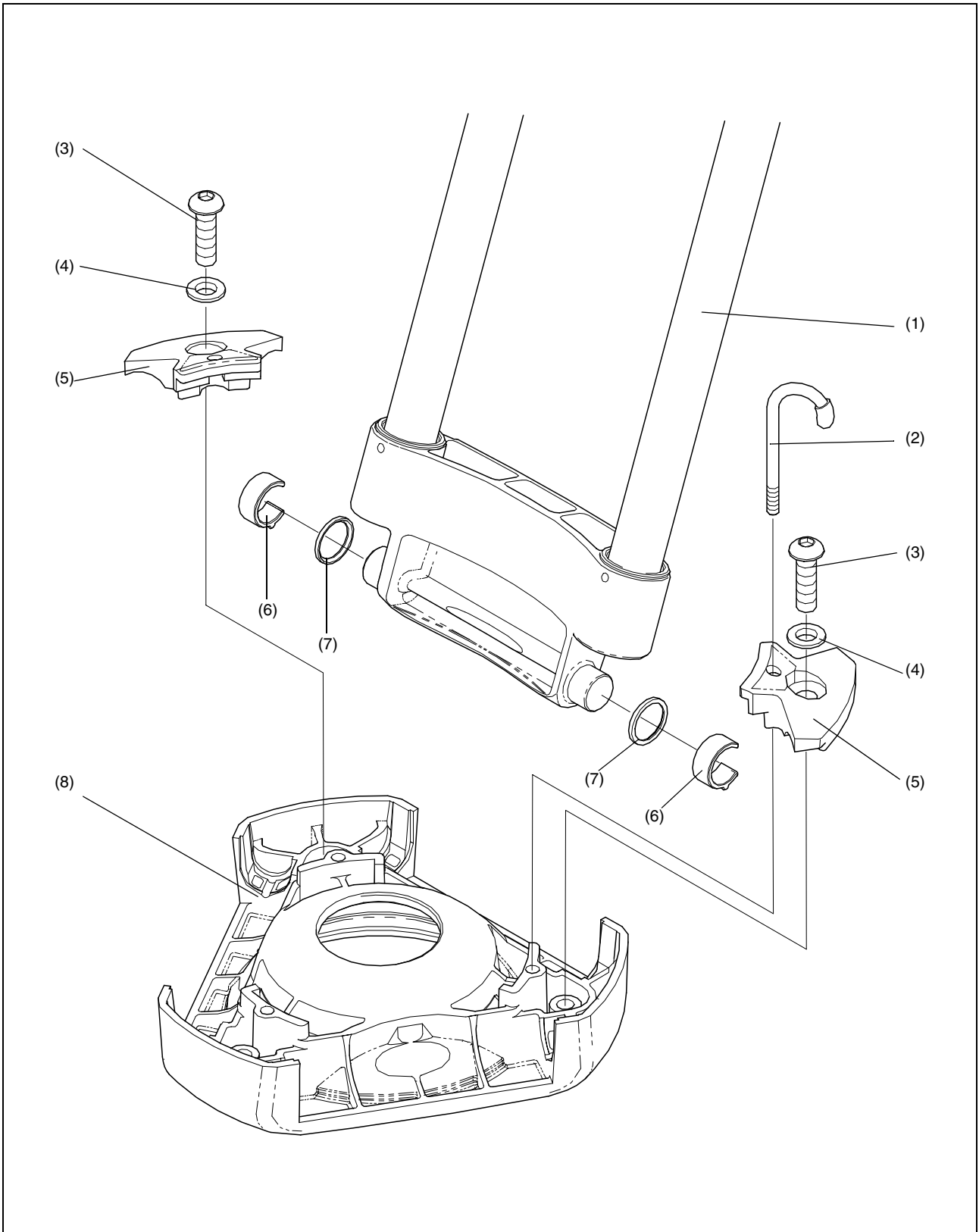
- 3 Remove the tripod leg as follows:
 - 3.1 If necessary, remove the hook (2), which passes through one of the leg pivot clamps (5) and screws into the bowl assembly (8).
 - 3.2 Remove the screws (3) and leg pivot washers (4) securing the leg pivot clamps (5) to the bowl assembly (8).
 - 3.3 Pull off the tripod leg (1). Note orientation and remove two leg pivot friction rings (6) and two leg pivot washers (7).

Installation

- 4 Install the tripod leg as follows:
 - 4.1 Install two leg pivot friction rings (6) and two leg pivot washers (7) on the tripod leg (1), oriented as noted in removal

NOTE: Do not apply any lubricant to the bowl, the leg trunnions, leg pivot friction rings or washers.

- 4.2 Position the leg in the bowl assembly (8), ensuring that the leg pivot friction rings (6) are correctly seated.
- 4.3 Install the leg pivot clamps (5) and secure with screws (3) and leg pivot washers (4), using Loctite 221. Tighten screws to a torque of 4.5 Nm (40 lbf in.).
- 4.4 If required, install the hook (2), using Loctite 221.



Replacing tripod legs (ENG tripods)

Replacing tripod legs (100 mm EFP tripods)

Introduction

1 The legs are secured in the bowl assembly by leg retainers. Each leg retainers is secured by two screws.

Consumables

2 The following consumables will be required:

Loctite 221 (Vinten Part No. Z002-026)

White Chesterton grease (Vinten Part No. Z150-105)

Removal

3 Remove the tripod leg as follows:

3.1 Remove two screws (6) securing each leg retainer (4) in the bowl (5).

3.2 Pull off the tripod leg (1). Remove two screws (3) and nuts (2) securing leg retainers (4) to leg.

Installation

4 Install the tripod leg as follows:

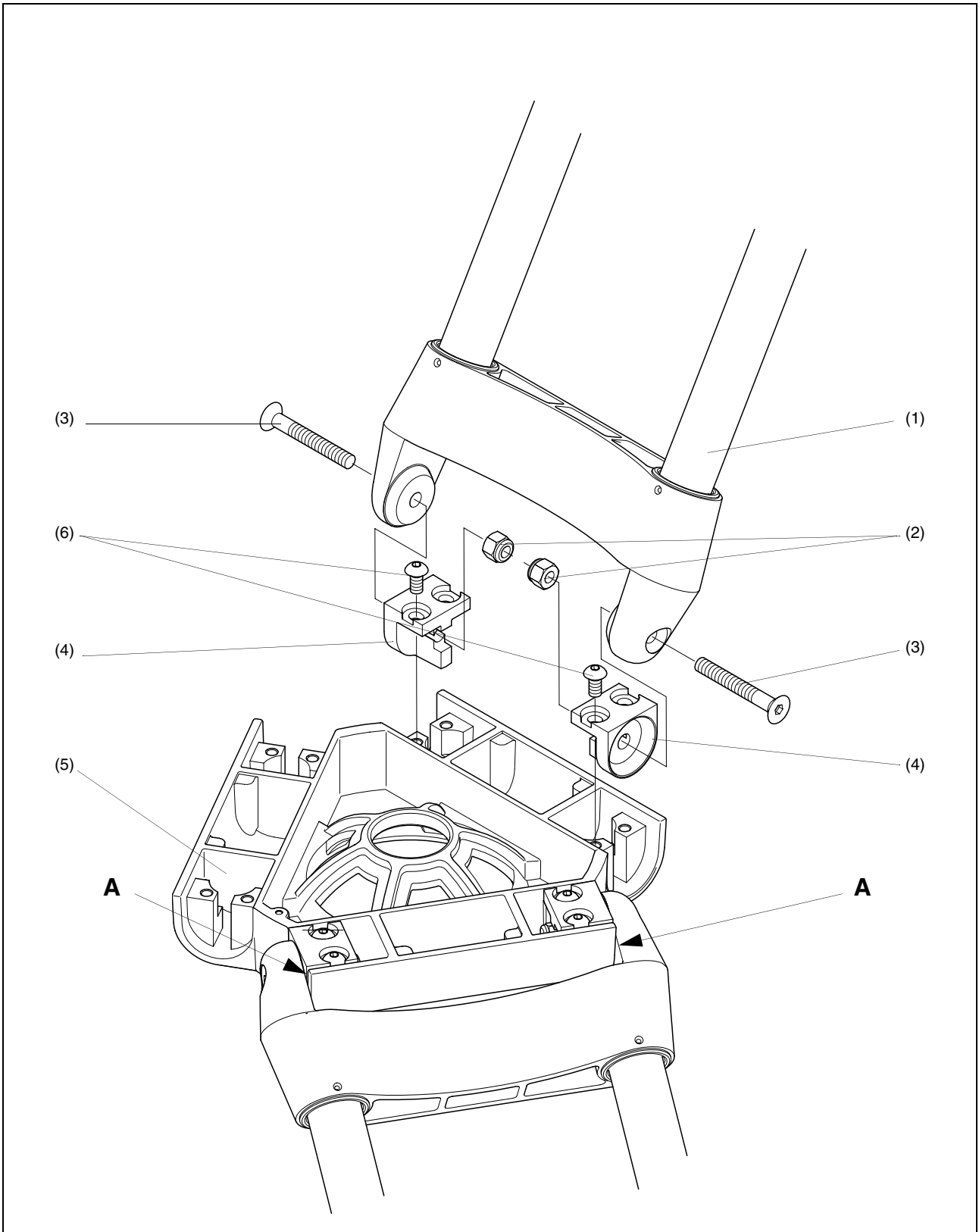
4.1 Apply white Chesterton grease to underside of countersink on two screws (3).

4.2 Secure two leg retainers (4) to leg (1) with screws (3) and nuts (2) using Loctite 221. Do not tighten screws fully at this stage.

4.3 Position leg in the bowl (5) and secure each leg retainer with two screws (6) using Loctite 221. Do not tighten screws fully at this stage.

4.4 Tighten screws (3) to a torque of 3.39 Nm (30 lb in.).

4.5 Ensure that the gaps between the tripod head and the top moulding **A** are equal. Adjust the position of the leg retainers (4) to achieve this then tighten screws (6) to a torque of 2.26 Nm (20 lb in.).



Replacing tripod legs (100 mm EFP tripods)

Replacing tripod legs (150 mmEFP tripods)

Introduction

1 The legs are secured in the bowl assembly by clamp plates. Each clamp plate is secured by a single screw.

Consumables

2 The following adhesive will be required:

Loctite 221 (Vinten Part No. Z002-026)

Removal

3 Remove the tripod leg as follows:

3.1 Remove two screws (2) and leg pivot clamp plates (3) securing the tripod leg (1) to the bowl (5).

3.2 Pull off the tripod leg (1). Note orientation and remove two pivot washers (4).

Installation

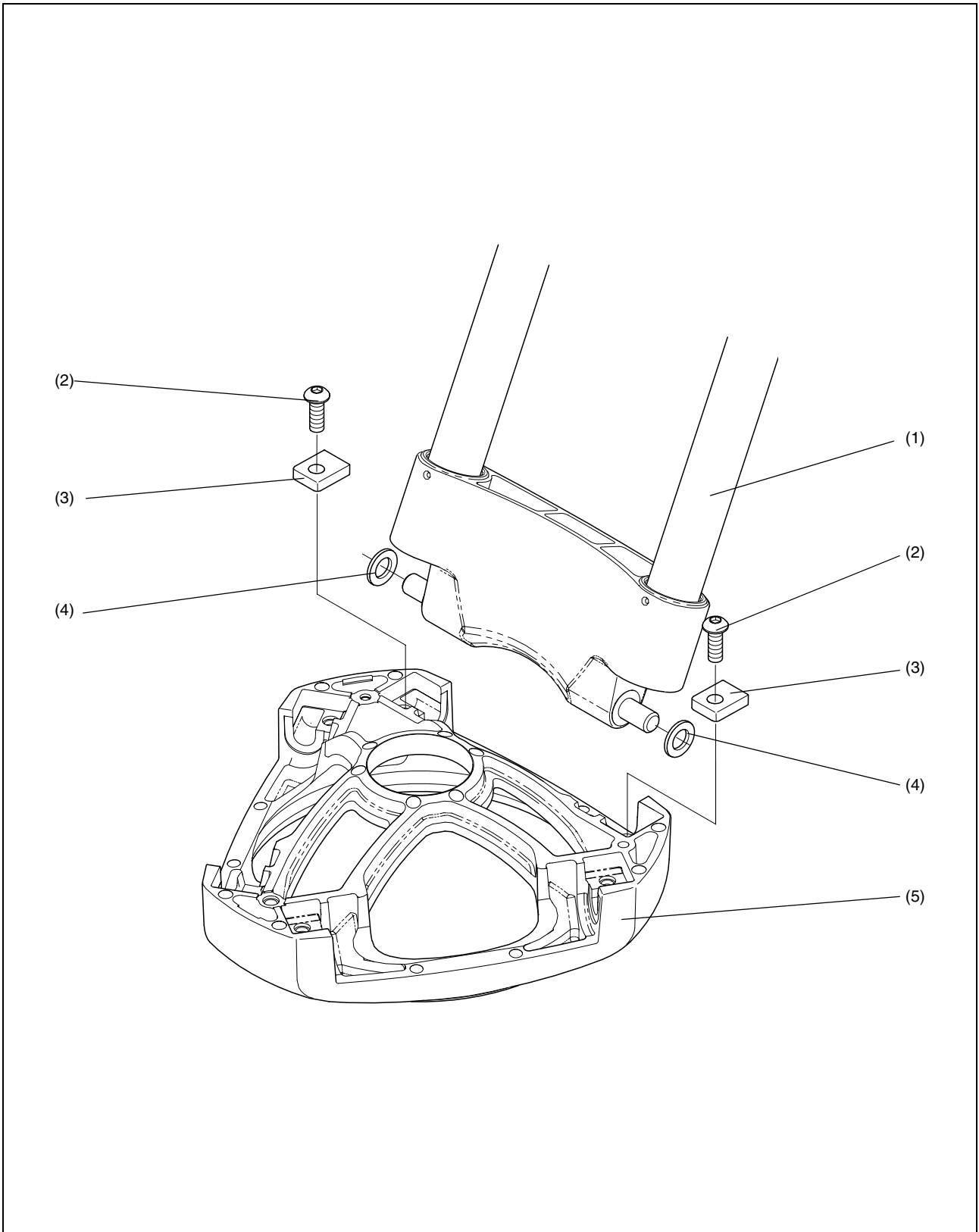
4 Install the tripod leg as follows:

4.1 Install two two leg pivot washers (4) on the tripod leg (1), oriented as noted in removal

NOTE: Do not apply any lubricant to the bowl, the leg trunnions, leg pivot friction rings or washers.

4.2 Position the leg in the bowl (5).

4.3 Install the leg pivot clamp plates (3) and secure with screws (2), using Loctite 221. Tighten screws (2) so that the leg is self-supporting when set at 45°.



Replacing tripod legs (EFP tripods)

Installing a carrying strap

Introduction

1 Carrying straps are available as optional accessories for Pozi-Loc tripods. Carrying strap 3425-3P will fit 75/100 mm ENG tripods and 150 mm EFP tripods. Carrying strap 3425-3C will fit 100 mm EFP tripods.

Consumables

2 The following consumable will be required:

Loctite 221 (Vinten Part No. Z002-026)

White Chesterton grease (Vinten Part No. Z150-105)

Installation - 150 mm EFP tripods

3 Install the carrying strap on EFP (150 mm bowl) tripods as follows:

3.1 On the underside of the tripod bowl, identify the M6 tapped hole (8).

3.2 Position the bowl strap anchor (7) on the underside of the tripod bowl, ensuring it is correctly oriented. Using Loctite 221, secure the bowl strap anchor with the 25 mm M6 screw (6) supplied with the strap.

3.3 On the lower moulding of the corresponding leg, drive in the 'knock-out' (5) using a suitable tool. If possible, remove the blank from inside the moulding to prevent subsequent rattle.

3.4 Push a blind captive nut (4) into the hole in the lower moulding.

3.5 Using a suitable M5 screw, fully compress the blind captive nut. Remove the M5 screw.

3.6 Install a washer (3) on the lower strap anchor (2) and screw into the captive nut (4). Ensure that the hole in the strap anchor is oriented so that the karabiner (1.1) can be attached

3.7 Using the karabiners (1.1), clip the strap (1) to the strap anchors and adjust to length.

Installation - 75/100 mm ENG tripods

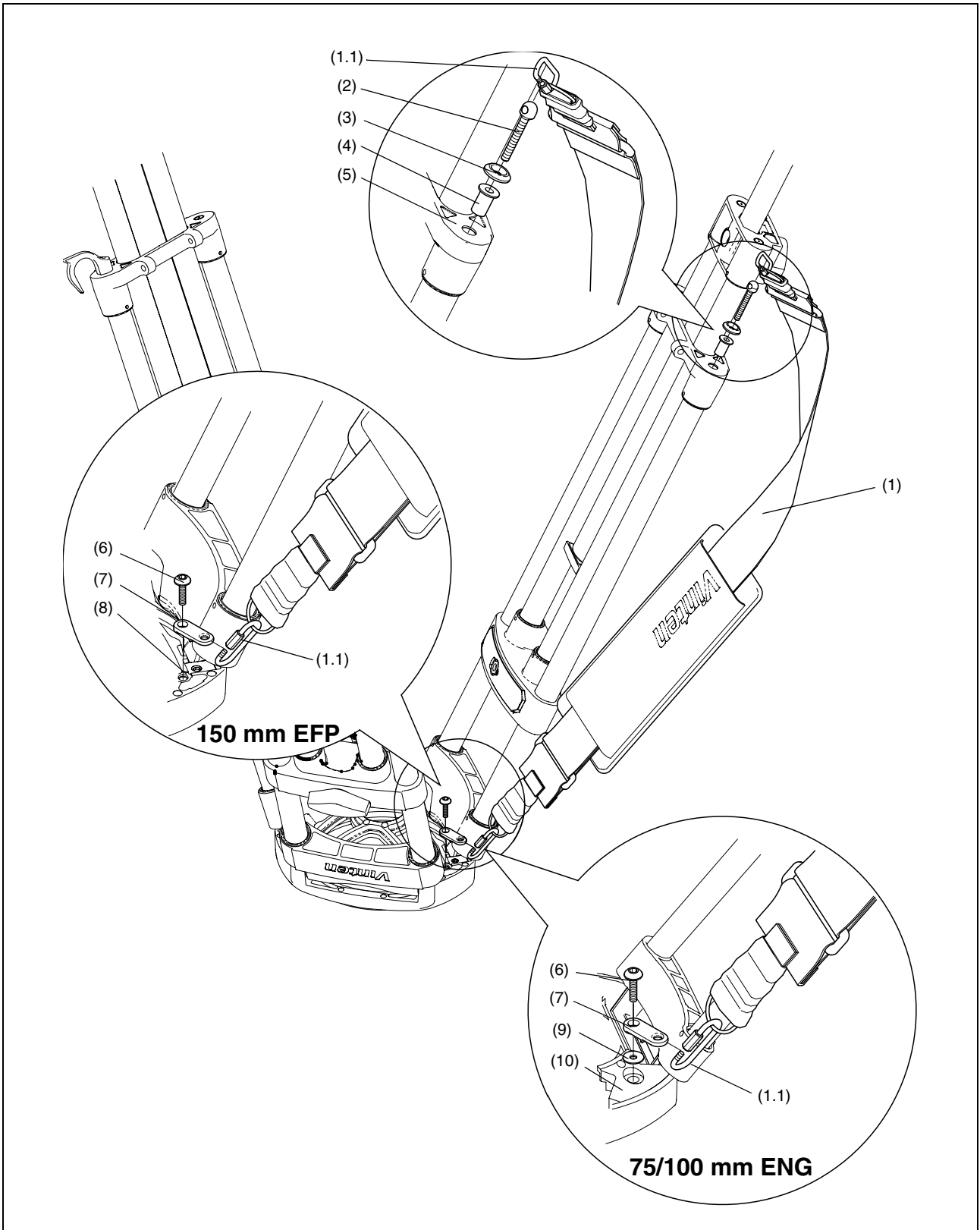
3.8 Install the carrying strap on ENG (75 mm/100 mm bowl) tripods as follows:

3.9 On the lower moulding of the leg with the strap, drive in the 'knock-out' (5) using a suitable tool. If possible, remove the blank from inside the moulding to prevent subsequent rattle.

3.10 Push a blind captive nut (4) into the hole in the lower moulding.

3.11 Using a suitable M5 screw, fully compress the blind captive nut. Remove the M5 screw.

3.12 Install a washer (3) on the lower strap anchor (2) and screw into the captive nut (4). Ensure that the hole in the strap anchor is oriented so that the karabiner (1.1) can be attached



Installing a carrying strap on 75/100 mm ENG tripods and 150 mm EFP tripods

3.13 On the underside of the tripod bowl, remove and discard the screw (6) securing the corresponding leg clamp (10). Do not remove the washer (9).

3.14 Position the bowl strap anchor (7) on the leg clamp, ensuring it is correctly oriented. Using Loctite 221, secure the bowl strap anchor with the 25 mm M6 screw (6) supplied with the strap. Tighten screw to a torque of 4.5 Nm (40 lbf in.).

3.15 Using the karabiners (1.1), clip the strap (1) to the strap anchors and adjust to length.

Installation - 100 mm EFP tripods

4 Install the carrying strap on 100 mm bowl EFP tripods as follows:

4.1 On the lower moulding of the leg with the strap, drive in the 'knock-out' using a suitable tool. If possible, remove the blank from inside the moulding to prevent subsequent rattle.

4.2 Push a blind captive nut (4) into the hole in the lower mouldings (11).

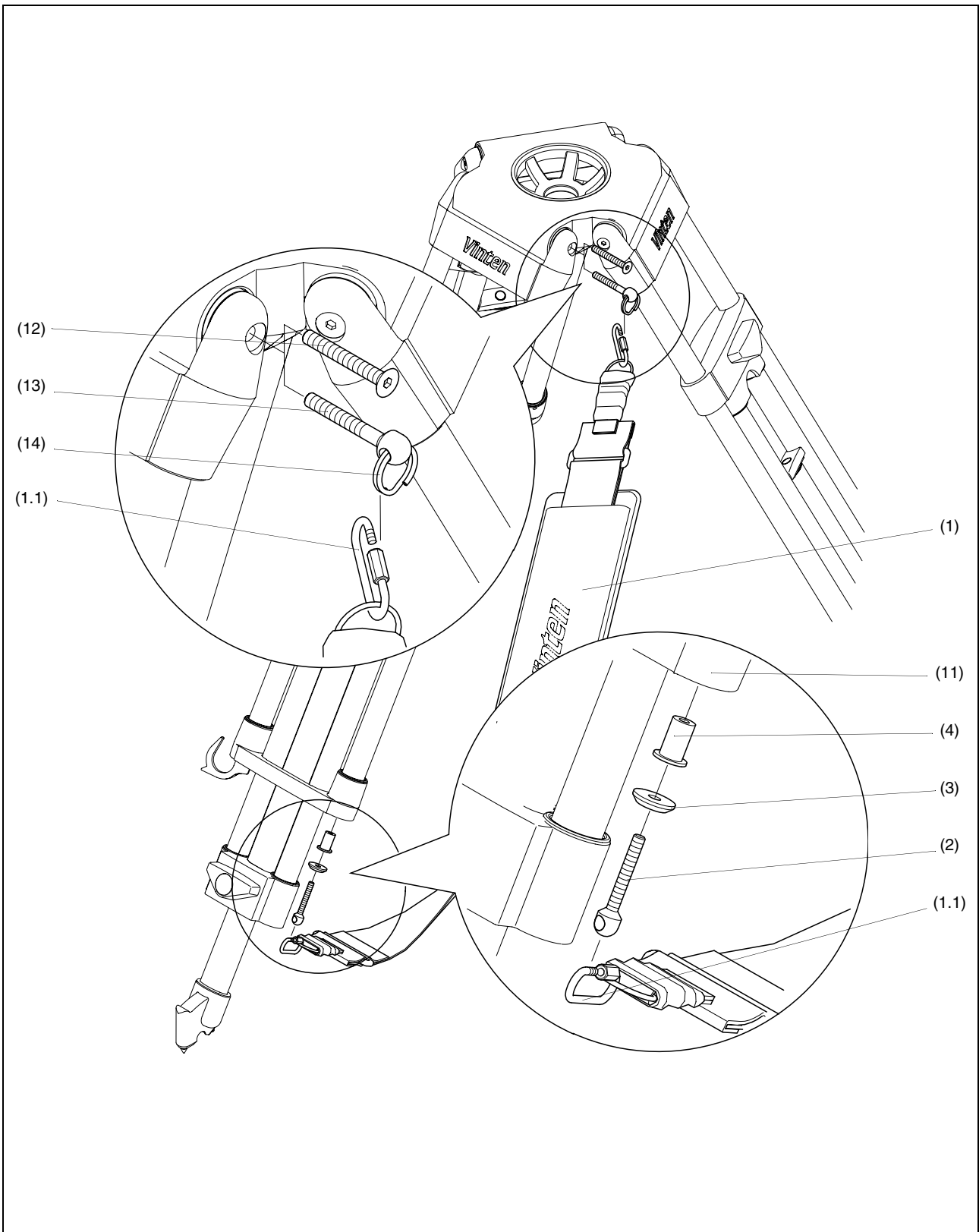
NOTE: The shorter, M5, strap anchor should be fitted in the lower moulding and the longer, M6, at the leg hinge.

4.3 Install a washer (3) on the shorter strap anchor (2) and screw into the captive nut (4).

4.4 At the leg hinge, remove screw (12) and replace with the longer strap anchor (13), using Loctite 221 on the thread and white Chesterton grease under the countersink.

4.5 Attach the split ring (14) to the longer strap anchor (13)

4.6 Using the karabiners (1.1), clip the strap (1) to the strap anchor (4) and split ring (14) and adjust to length.



Installing a carrying strap on 100 mm EFP tripods