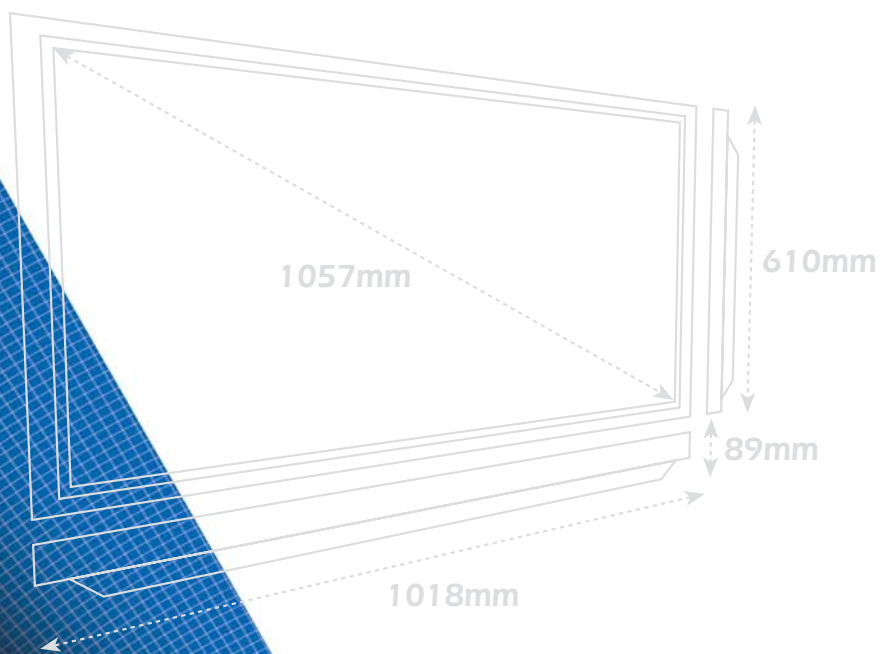


Empowered by Innovation

NEC

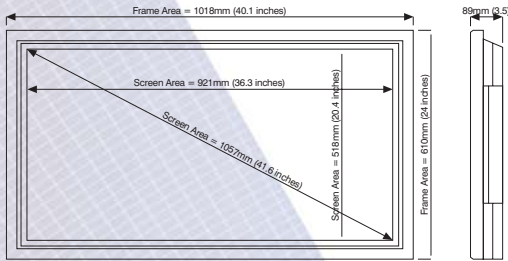


Specifications

42VM5 / 42VP5
42" Wide VGA Multimedia Display



PlasmaSync™



42VM5 42" Wide VGA Multimedia Display

The Latest Generation PlasmaSync™ 42VM5 family pushes the industry standards of picture performance to extremes, especially in both public and multimedia display applications.

Product Code	PX-42VM5, PX-42VP5 (AG filter model)
Screen Size	921mm (H) x 518mm (V) / 36.3" (H) x 20.4" (V) / Diagonal 1057mm, 42"
Aspect ratio	16:9
Resolution	853 (H) x 480 (V) pixels
Pixel Pitch	1.08mm (H) x 1.08mm (V) / 0.043" (H) x 0.043" (V)
Colour Processing	4,096 steps, 68.7 billion colours
Synchronization Range	Horizontal: 15.5 to 110 kHz (automatic: step scan) Vertical: 50.0 to 120.0Hz (automatic: step scan)
Input Signals	Video: Composite/S; DTV: Y,Pb(Cb),Pr(Cr); RGB; PC
Input terminal RGB	RGB1 Mini D-Sub 15pin x 1 RGB2 BNC (R,G,B,H/CS,V) x 1 RGB3 DVI-D 24pin x 1
Input Terminal Video	Video 1 BNC 1pin (Composite Video input) Video 2 RCA 1pin (Composite Video input) Video 3 S-Video input: DIN 4-pin x 1
Input Terminal HD/DVD/DTV	DVD1 / HD1 = RCA-pin (Y, PB[CB], PR[CR]) x 1 DVD2 / HD2 = BNC (Y, PB[CB], PR[CR]) x 1 DVD 3 / HD3 = DVI-D 24-pin x 1
Input Terminals Audio	Stereo RCA x 3 (selectable)
External Control	D-sub 9-pin x 1 (RS-232C)
Wired Remote Input Terminals	3P plug
Wired Remote Output Terminals	3P plug
Output Terminal Video	BNC x 1 (shared with Video1 input, selectable)
Output Terminal RGB of Y/Pb(Cb)/Pr(Cr)*	Mini D-Sub 15pin (shared with RGB1, selectable)
Audio Output Power for Speaker	8W + 8W (at 6 ohm)
Wide Control	Video input / RGB (PC) input
Plug and Play	DDC1, DDC2b
Power Sources	100 to 240 V 50/60HZ
Current Rating	4.5A (maximum)
Power Consumption	270W (typical)
Dimensions	1018mm (W) x 610mm (H) x 89mm (D) / 40.1" (W) x 24.0" (H) x 3.5" (D)
Weight	28.5kg / 62.8lbs
Front Panel User Controls	Power on/off, Input source select, Volume up / down / OSM control
Remote Control Function	Power (ON/STAND BY), Input Source Select (Video, DVD / HD, RGB / PC), Volume (up / down), Mute, Wide, Display, Off timer, Cursor (up, down, left, right), Pointer, Zoom (up / down), Auto Adjust, ID Select, Clear
OSM Function	Picture: (Contrast / Brightness / Sharpness / Color / Tint / Picture Mode / Noise Reduction (NR) / Color temperature / White Balance / Gamma / Low tone / Color Tune); Audio: (Bass / Treble / Balance / Audio Input x 3); Image Adjust: (Aspect Mode / V-Position / H-Position / V-Height / H-Width / AutoPicture / Fine Picture / Picture Adj); Option 1: (OSM / BNC Input / D-Sub Input / RGB Select / HD Select / Input Skip / All Reset); Option 2: (Power Mgt / Cinema Mode / Long Life (PLE, Orbiter, Inverse, White, Screen wiper, Soft Focus) / Grey level / S1/S2 / DVI Set up); Option 3: (Timer / Pwr on Mode / Control Lock / IR Remote / Loop Out / ID Number / Video Wall); Advanced OSM: (On/Off); Language: (English/Deutsch/Français/Español/Italiano/Svenska/Chinese/Russian); Color System: (Auto / PAL / PAL-M / PAL-N / PAL60 / SECAM / 4.43NTSC / 3.58NTSC); Source Info
Regulations	IEC60950-1, EN60950-1, EN55022:1998 + A1:2000 Class A, EN55024:1998 + A1:2001, EN61000-3-2:2000, EN61000-3-3:1995 + A1:2001, AS/NZS CISPR22:2002 ClassA
Environmental Operation	Temperature: 0°C to 40°C / 32°F to 104°F Humidity: 20 to 80% (no condensation) Altitude: 0 to 2800m / 0 to 9180 feet
Environmental Storage	Temperature: -10°C to 50°C / 14°F to 122°F Humidity: 10 to 90% (no condensation) Altitude: 0 to 3000m / 0 to 9840 feet
Accessories	Remote control with two AAA batteries, Power cable, User's Manual, Safety metal fittings, Screw for safety metal fittings, Ferrite cores, bands, Cable clamps
Other Features	Motion Compensated 3D Scan Converter: (NTSC, PAL, 480i, 576i, 525i, 625i, 1035i, 1080i); 2-3 pull down Converter: (NTSC, 480i, 1035i, 1080i, 60Hz); 2-2 pull down Converter: (NTSC, 480i, 525i, PAL, 576i, 625i); Digital Zoom: (100-900% Selectable); Low tone: (3 mode); Color Temperature select (high/mid/low, user has 4 memories); Color Tune; Self Diagnosis: (RS232C commands); Image Burn reduction tools (PLE LOCK1-3, INVERSE, WHITE, ORBITER, (Auto1,2/Manual), SCREEN WIPER, SOFT FOCUS); Control Lock; IR Remote; Auto Picture; Input skip; Auto ID; Programmable Timer; Gamma Correction: (4 modes); Loop through interface; Plug and play (DDC1, DDC2b, RGB3: DDC2b only)

PlasmaSync and OSM are trademarks of NEC Corporation. The plasma display panel consists of fine picture elements (cells). Although NEC produces these plasma display panels with more than 99.99 percent of their cells active, there may be some cells that do not produce light or remain lit after they should have turned off. Light output of a PDP module gradually decreases over long-term use. Do not display static images for prolonged periods; otherwise a phosphor burn may appear on a part of the panel. Phosphor burns are not covered by the warranty. Status September 2004. Specifications may change without notice.

NEC Deutschland GmbH [GERMANY].....Tel: +49 (0) 89 96274 144 Fax: +49 (0) 89 96274525 www.nec.de
 NEC France S.A [FRANCE].....Tel: +33 (0) 1 46 49 46 49 Fax: +33 (0) 1 47 69 92 86 www.nec.fr
 NEC Iberica S.A.U [SPAIN].....Tel: +34 91 203 2900 Fax: +34 91 650 1100 www.nec.es
 NEC Italia s.r.l. [ITALY].....Tel: +39 02 48 41 51 Fax: +39 02 48 40 08 75 www.nec.it
 NEC Scandinavia AB [SWEDEN].....Tel: +46 (0) 8 635 92 00 Fax: +46 (0) 8 635 93 50 www.nec.se
 NEC [UK] Ltd.....Tel: +44 (0) 845 234 4040 visualcommunication@uk.necur.com, www.nec.co.uk



PlasmaSync™

Empowered by Innovation



PlasmaSync and OSM are trademarks of NEC Corporation.
 For further information, please contact: www.plasmasync.com