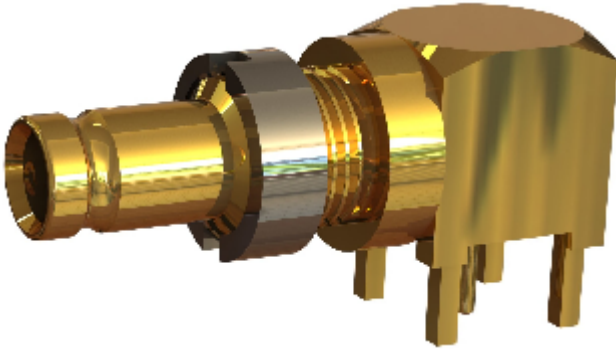
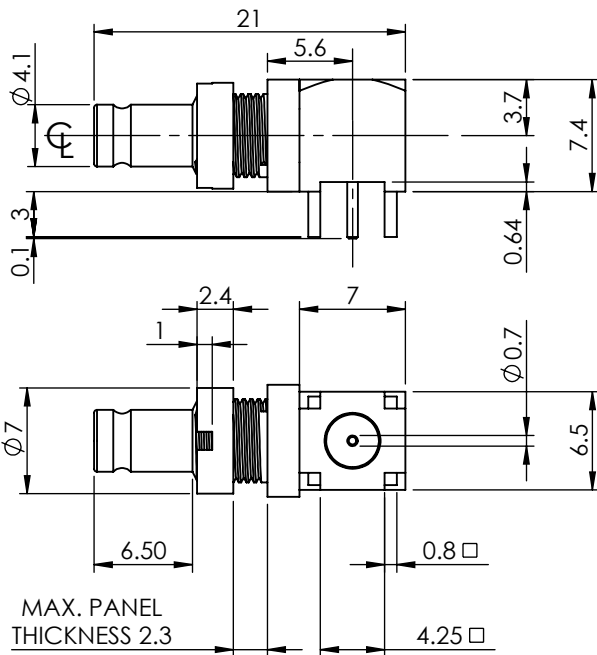


1.0/2.3 RIGHT ANGLE BULKHEAD PCB MOUNT JACK 75 Ohm 52-468-D36



images for illustration purposes only



Environmental Specification

Operating Temp: -55 to +155 Deg C.

IP Rating (Mated): IP40

Electrical Specification Mechanical Specification

Impedance: 75 Ohm

Frequency: 0-4.5 GHz

Dielectric W/V: 750 Veff

Insulation res: 1000 M-Ohm

Contact Retention: 20 N min

Cable Retention: N/A

Mating cycles: 250

Weight: 4.58 g

Connector Interface

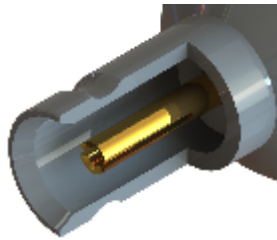
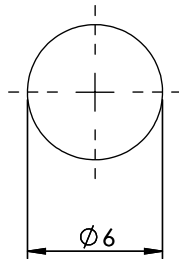


image for illustration purposes only

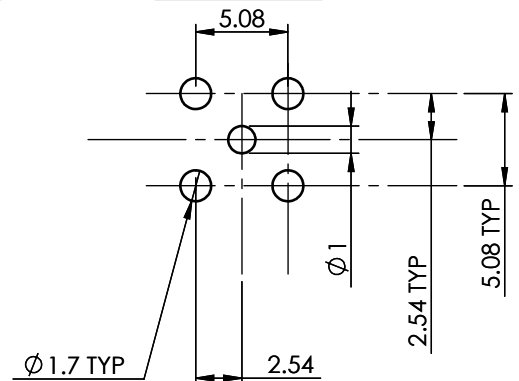
Tooling

Castellated nut tool : 96-1135

Recommended Mounting Hole



Recommended PCB Layout



4	NUT	BRASS	NICKEL
3	INSULATOR	PTFE	N/A
2	CENTRE CONTACT	BeCu	GOLD
1	BODY	BRASS	GOLD
ITEM	DESCRIPTION	MATERIAL	PLATING

A4	SHEET 1 OF 1	DIMENSIONS ARE IN MILLIMETRES		
REVISION :	A01	NAME	SIGNATURE	DATE
ISSUE :	0	DRAWN	IG	16/10/2012
		CHK'D	GE	23/10/2012
		APPV'D		
6-8 COLNE ROAD, TWICKENHAM, MIDDLESEX. TW1 4JR				
THE INFORMATION IS GIVEN AS AN INDICATION ONLY AND IS SUBJECT TO CHANGE WITHOUT NOTICE. IN THE CONTINUAL GOAL TO IMPROVE OUR PRODUCTS, WE RESERVE THE RIGHT TO MAKE ANY MODIFICATIONS NECESSARY WITHOUT PRIOR NOTICE.				