

ARRIMAX 18/12

THE MOST POWERFUL HMI LIGHT ON THE PLANET



ARRI 



ARRIMAX 18/12

THE MOST POWERFUL HMI LIGHT ON THE PLANET

ARRI's exciting new fixture provides an optimum choice for productions requiring maximum light output. Combining the variable beam spread of a Fresnel and the light output of a PAR, the ARRIMAX uses a unique reflector concept for beam control that eliminates the need for spread lenses.

At A Glance:

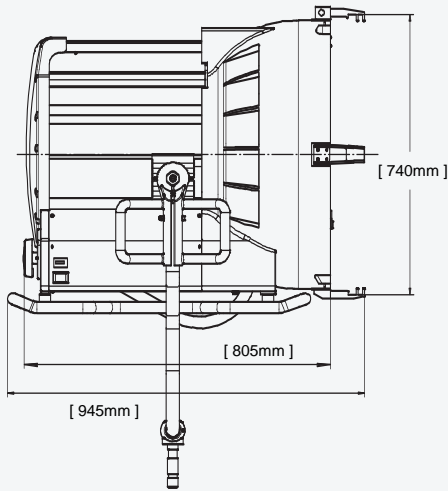
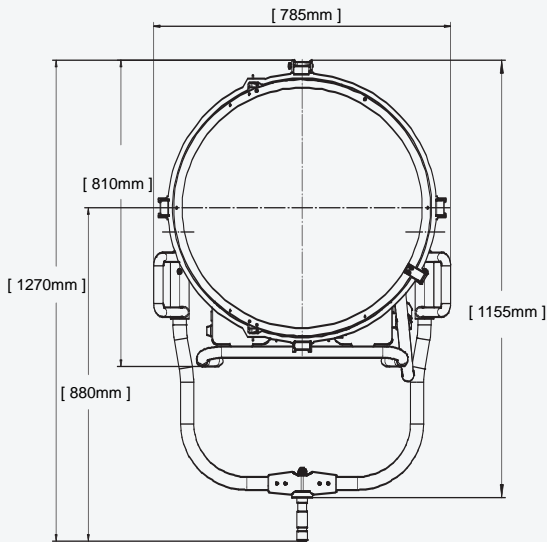
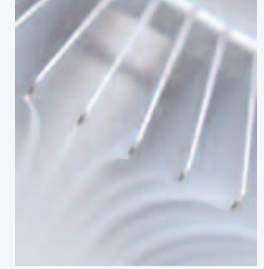
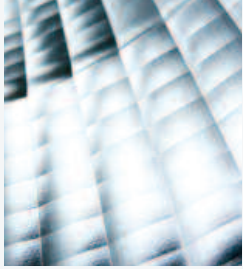
ARRIMAX 18/12

- 50% brighter than a 12kW PAR
- Lensless design
- Arc-like shadow quality
- 15° to 50° beam angle: Standard Reflector
- 8° to 15° beam angle: Spot Reflector
- Easy Relamping
- Superior lamp support
- Supports lamps with GX51 or GX38 base
- Uses 18kW SE or 12kW SE lamps
- MaxMover Automated Stirrup (optional)



ARRIMAX Ballast

- 12/18kW—Auto Detection
- Input Voltage Regulation
- Input Frequency Regulation
- Active Line Filter (ALF)
- DMX control option
- 12/18kW power indication
- Dimming to 50% (1 Stop)
- Low Noise Mode (50/60Hz)
- Flicker Free Mode



Ident.-No. Description

L1.37950.B	ARRIMAX 18/12
L2.76295.0	EB 12kW/18kW, ARRIMAX Edititon
L2.37980.0	MaxMover with Remote Control and Case
L2.71100.0	4-leaf barndoor, black, 740mm
L2.37940.0	Spot Reflector
L2.37941.0	Snoot
L2.71115.0	Scrim Set, full double, half double, full single, half single, 740 mm/29"
L2.71115.A	Scrim, full single, 740mm/29"
L2.71115.B	Scrim, full double, 740mm/29"
L2.71115.C	Scrim, half single, 740mm/29"
L2.71115.D	Scrim, half double, 740mm/29"
L2.89261.0	HMI lamp 12kW/SE, GX51 (OSRAM), 5600K, 300h
L2.89262.0	HMI lamp 18kW/SE, GX51 (OSRAM), 5600K, 300h
L2.89261.P	MSR lamp 12kW/SE, GY51 (Philips), 5600K, 300h
L2.89262.P	MSR lamp 18kW/SE, GY51 (Philips), 5600K, 300h
L2.89261.K	CSR lamp 12kW/SE, G51 (Koto/GE), 5600K, 300h
L2.89262.K	CSR lamp 18kW/SE, G51 (Koto/GE), 5600K, 300h
L2.82294.0	Head to Ballast cable, 15m
L2.82294.A	Head to Ballast cable, 20m

Photometric Data 18,000W SE Lamp

Distance	10m	15m	20m	30m
	32.8ft	49.2ft	65.6ft	98.4ft
Spot Focus: Beam Angle 15°				
Lux	129960	57760	32490	14440
Beam Diameter	2.6	3.9	5.3	7.9
Flood Focus: Beam Angle 50°				
Lux	13459	5982	3365	1495
Beam Diameter	9.3	14.0	18.7	28.0
Spot Performance at any distance				
Lux equals 12,996,000 divided by Distance ²		Beam Diameter = Distance x 0.263		
Flood Performance at any distance				
Lux equals 13,459,000 divided by Distance ²		Beam Diameter = Distance x 0.933		

Specifications

Weight	65kg (143lb)
Reflector	ARRI, multi faceted, paraboloidal-ellipsoidal shaped using high purity aluminium
Lampholder	ARRI spring loaded lampholder and base support clamping mechanism for GX38 and GX51 lamp bases
Mounting	28mm Spigot (1 1/8") stand mount
Protective Measure	Protection Class I, Protection Rating IP 23
Colour	Blue/Silver
Ballast	See ARRI Ballast Brochure



T 2.8 AT 500 FEET | 400 ASA | 24 FPS

1 ARRIMAX



ARRIMAX 18/12



ARRISUN 120



AD 18/12 PLUS

lx at 10 m	ARRIMAX 18/12		ARRISUN 120		AD 18/12 PLUS	
	lx	HPA [°]	lx	HPA [°]	lx	HPA [°]
Spot	129960	15	74171	15	52477	15
Flood	13459	50	10589	50	9955	50

fc at 10 m	ARRIMAX 18/12		ARRISUN 120		AD 18/12 PLUS	
	fc	HPA [°]	fc	HPA [°]	fc	HPA [°]
Spot	14440	15	8241	15	5830	15
Flood	1495	50	1177	50	1106	50



GERMANY
 ARNOLD & RICHTER
 CINE TECHNIK
 GmbH & Co. Betriebs KG
 Türkenstrasse 89
 D-80799 München
 Tel.+49(0)89-3809-0
 Fax +49(0)89-3809-1245
 lighting-info@arri.de
 www.arri.de

USA
 ARRI Inc.
 New York Office
 617 Route 303
 Blauvelt, NY
 10913-1109
 Tel.+1(845)353-1400
 Fax+1(845)425-1250

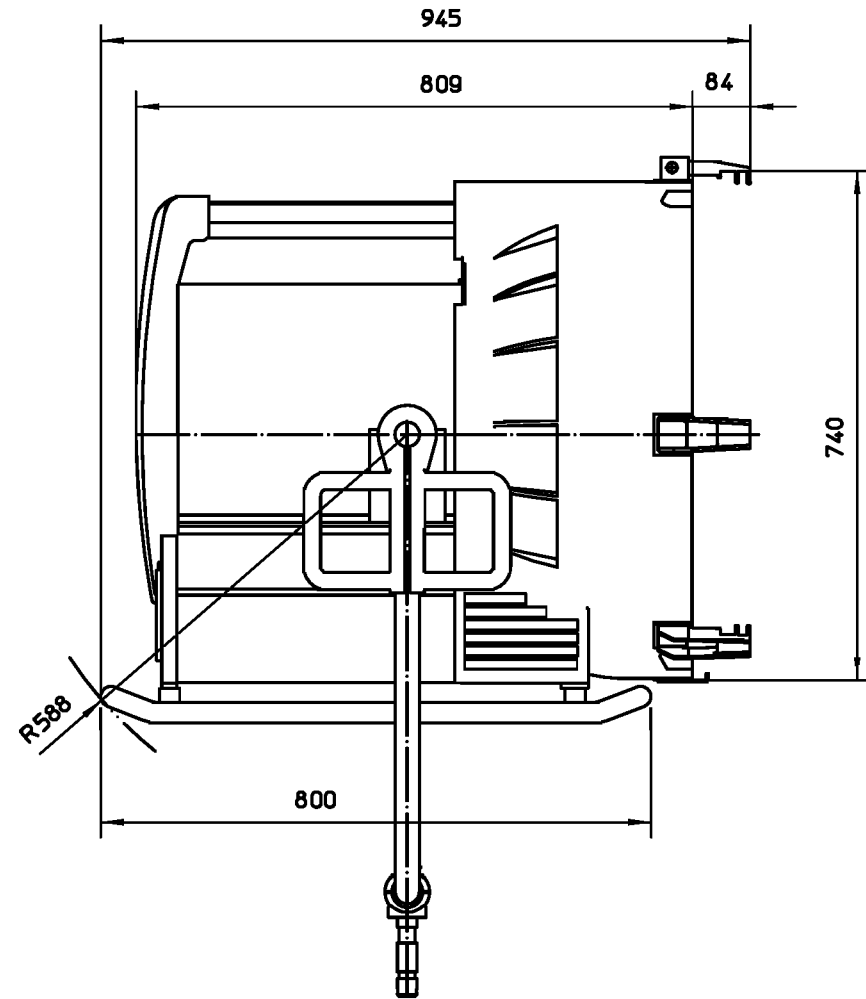
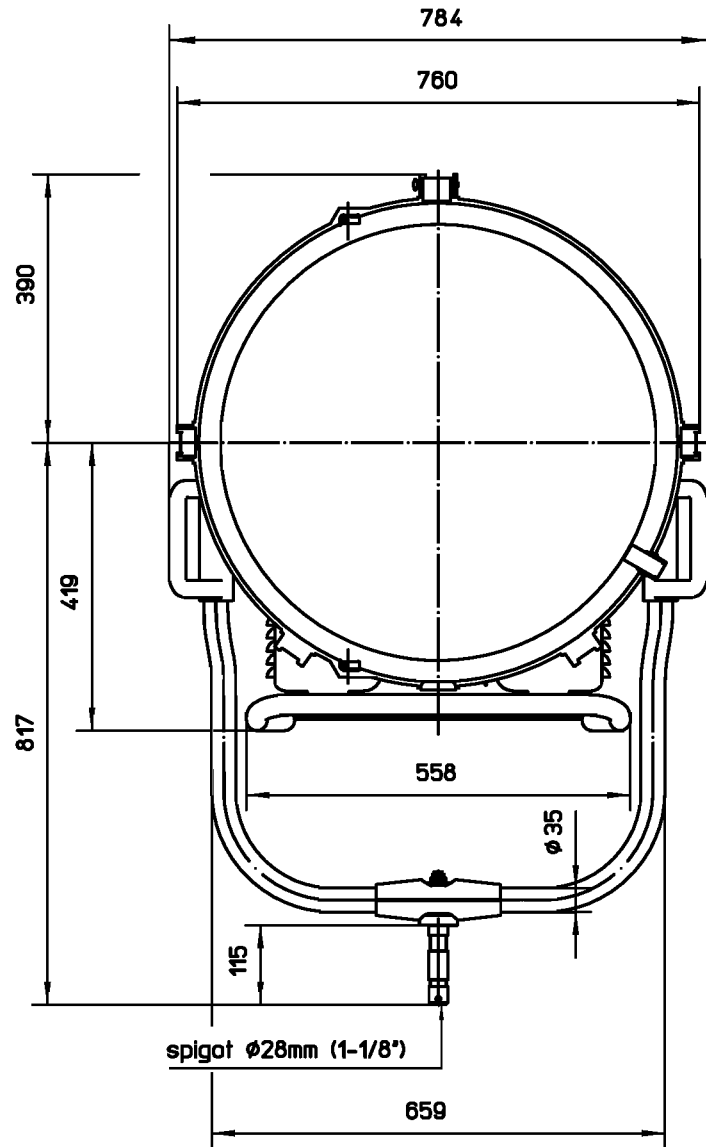
USA
 ARRI Inc.
 Burbank Office
 600 N. Victory Blvd.
 Burbank, CA
 91502-1639
 Tel.+1(818)841-7070
 Fax+1(818)848-4028


CANADA
 ARRI Canada LTD.
 415 Horner Avenue,
 Unit 11, Etobicoke
 Ontario M8W 4W3
 Tel.+1(416)255-3335
 Fax+1(416)255-3399

GREAT BRITAIN
 ARRI (GB) LTD.
 2 Highbridge,
 Oxford Road
 Uxbridge, Middlesex
 UB8 1LX
 Tel.+44(0)1895-457000
 Fax+44(0)1895-457001

ITALY
 ARRI ITALIA SRL
 Viale Edison 318
 I-20099
 Sesto S. Giovanni
 Milano
 Tel.+39(02)262-27175
 Fax+39(02)242-1692

Schutzvermerk nach DIN34 beachten



Scheinwerfertyp type of lamphead	ARRIMAX 18/12	Frontscheibe front screen	Ø 646 mm Ø 25,4 "	Packmass packed size	1170x1050x1135 mm 46,06x41,33x44,68 "	Gewicht net weight	65.0 kg 143.2 lbs	 Arnold & Richter Cine Technik Pulvermuehle D-83071 Stephanskirchen
Leuchtmittel lamp	HMI 18000W/SE HMI 12000W/SE	Zubehoer accessories	Ø 740 mm Ø 29 "	Packvolumen packed volume	1394,34 l 49,240 ft3	Dateiname file name	AM24_18_mb_02	
Lampensockel lamp base	G38/G51	Fluegeltor barndoor	Ø 740 mm Ø 29 "	Packgewicht packed weight	110 kg 242,5 lbs	Version / Stand version / as at...	1.1/11.07.06	