

USER MANUAL

SWIT Electronics Co.,Ltd.

Thank you for choosing SWIT products. Please read the instructions before using, and keep it for future reference.

Specification

Model	BL-150E
Color temperature	5600K
Brightness	000%-100%
CRI	97
TLCI	98
Beam angle	60°(Without Shield)
Maximum illuminance	4400 Lux@1m(Without Shield); 27290 Lux@1m(With Standard Shield)
Ways of control	Button、APP、DMX
Working voltage	AC 100-240V,50/60Hz
Input power	150W
Dimension(mm)	See Fig.1、 Fig.2
Net weight	2.23Kg

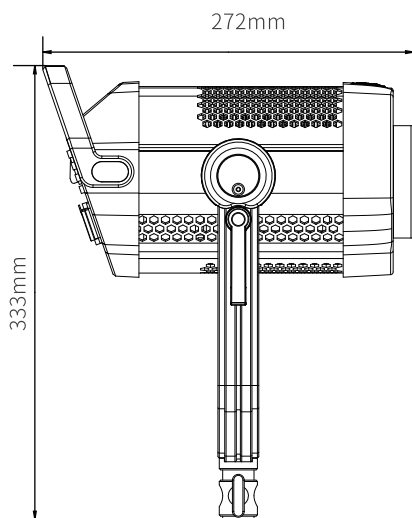


Fig.1 BL-150E Side View

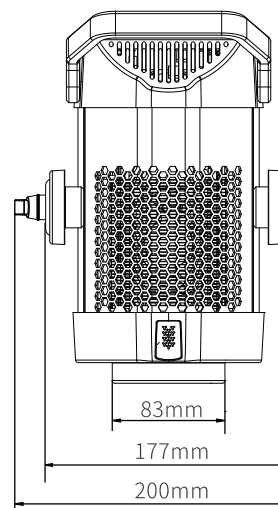


Fig.2 BL-150E Top View

Warning

1. Do not pull out the power cable when the light is power on. Cut off the power when not using, switch off the light before pull out or plug in;
2. Do not disassemble the light or touch the internal of the light with metal object to avoid damage;
3. Do not use the light in raining or snowing days or store in wet environment.

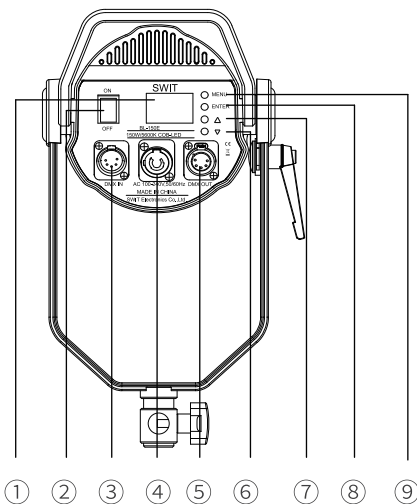


Fig.3 BL-150E Back View

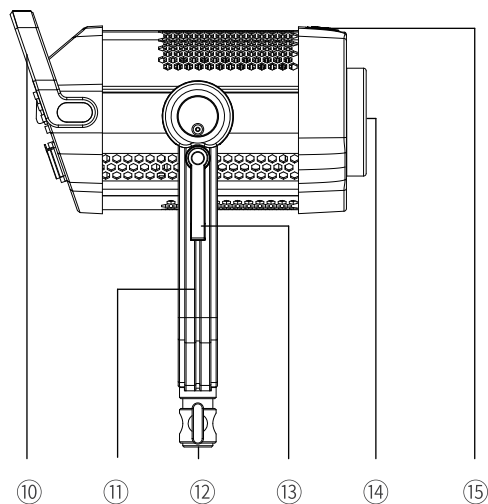


Fig.4 BL-150E Left View

- ① LCD Screen
- ② Power Switch
- ③ DMX IN
- ④ AC INPUT
- ⑤ DMX OUT
- ⑥ "▼"
- ⑦ "▲"
- ⑧ "ENTER"
- ⑨ "MENU"
- ⑩ Handle
- ⑪ U-Shape Bracket
- ⑫ Bracket Adaptor
- ⑬ Fastening Knob
- ⑭ LED
- ⑮ Light shield fixed cover

Control Interface & Menu

1. CCT MODE

Switch on the light(Fig.3 ②),press"Menu"(Fig.3 ⑨)change the working mode to CCT mode, screen shown as Fig. 5,press"Enter"to choose the intensity , according to the use requirement, adjust the intensity through "▲"(Fig.3 ⑦)、“▼”(Fig.3 ⑥).

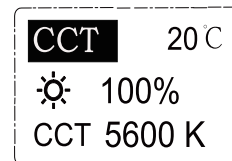


Fig.5 CCT MODE

No.	Parameter	Adjusting Range
1	Intensity	000%-100%

2. SCENE MODE

Press"Menu"(Fig.3 ⑨)to change the light mode to scene mode, screen shown as Fig.6:

2.1 Scene setting

Choose"Enter"to enter into scene choosing function, press"▲" (Fig.3 ⑦)、“▼”(Fig.3 ⑥) to choose scene according to the use requirement .

2.2 Frequency setting

After enter into Fig.6 interface, press"Menu"(Fig.3 ⑨)button for twice, choose the frequency setting function, Press"▲"(Fig.3 ⑦)、“▼”(Fig.3 ⑥)to set the frequency according to the use requirement.

2.3 Intensity adjustment

After enter into Fig.6 interface, press"Menu"(Fig.3 ⑨),choose intensity adjusting function, press "▲"(Fig.3 ⑦)、“▼”(Fig.3 ⑥)to adjust the intensity according to the use requirement.

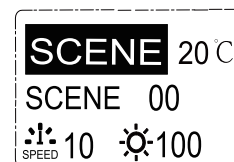


Fig.6 SCENE MODE

No.	Parameter	Adjusting Range
1	SCENE	00-09
2	SPEED	00-10
3	INTENSITY	000-100

3. DMX MODE

Choose"Menu"(Fig.3 ⑨)to change the working mode, Screen shown as Fig.7:

3.1 CH Address Setting

Press"Enter"button to choose CH address setting function, press "▲"(Fig.3 ⑦)、“▼”(Fig.3 ⑥)to set the CH address according to the use requirement.

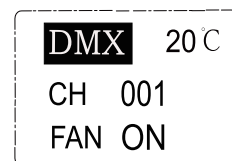


Fig.7 DMX MODE

3.2 Fan Working Status Setting

Press "Enter" for twice to choose working status setting function,
press "▲" (Fig.3 ⑦), "▼" (Fig.3 ⑥) to set the working status of fan according to use requirement.

No.	Parameter	Adjusting Range
1	CH	000-512
2	FAN	ON、OFF

4. Bluetooth Resetting

Press "Menu" (Fig.3 ⑨) button to change working mode, Screen shown as Fig.8, Press "Enter" button to choose "?", press "▲" (Fig.3 ⑦) to set "?" to "YES" for reset bluetooth (See Fig.9).

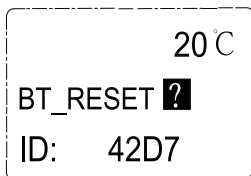


Fig.8 Bluetooth Reset interface

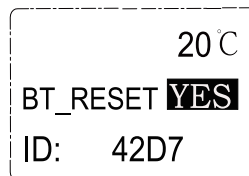


Fig.9 Bluetooth Reset interface

DMX/Intercontrol Mode

Press "Menu" button (Fig.3 ⑨) to change working mode to DMX mode:

1. DMX Mode

Connect all the light through DMX cable and connect with DMX signal output device, set the CH address (See 3.1 CH address setting).
This product occupy one DMX channel to adjust the intensity, intensity adjusting range: 000%-100%.

2. Intercontrol Mode

Set the CH address of aimed light to the same address to realize the wireless mutual control between the lights, using this function, there is no host, slave between the lights.

APP Usage

1. APP Name and download

- 1) **APP Name:** SWIT BL(Android)/ DeSal Lite+(IOS)
- 2) **Download:**
 - ▶ Android: Scan QR to Install (Fig.10);
 - ▶ IOS: Apple Store search "DeSal Lite+" to Install.



Fig.10 APP(Android)

2. APP Using Attention

- ▶ Please reset the Bluetooth of light if APP can not recognize the light;
- ▶ APP can only control to turn off the brightness of the light, and the power switch of the lamp is controlled in the body.

Packing List

No.	Accessories	Quantity
1	BL-150E	x 1
2	Power cable	x 1
3	Standard light shield	x 1
4	Certification	x 1
5	BA-OCT36(36-inch Octagonal Softbox)	Opitonal Accessories
6	BA-LAN26(26-inch Lantern Softbox)	
7	BA-PARA26(26-inch Parabolic Dome Softbox)	
8	BA-BD16(16-inch Beauty Dish)	
9	BA-ST3(3.1-inch Snoot With honeycomb)	
10	BA-F3X(Fresnel 12°-40°3x Lens)	