

**Canon**

# DIGISUPER 76

XJ76x9B 9-690mm 1:1.7



76x Third Generation Standard Field Lens with  
Superb Quality and Performance



**INNOVATION**

In TV Optics Since 1958

Toward 100 years anniversary



# DIGISUPER 76

XJ76x9B 9-690mm 1:1.7



The unparalleled quality offered by the DIGISUPER Series by Canon has made it a permanent fixture at sporting events around the world and a heavy favorite of professional camera operators.

As one of Canon's leading lens series for broadcast use, the DIGISUPER line has introduced numerous technological innovations while capturing memorable scenes with the best possible quality, so that they may be enjoyed by future generations.

Amid the rapid growth in high-definition program production in recent years, Canon has maintained a strong relationship with content producers, to ensure that our products continue to satisfy the needs of such a dynamic industry. In particular, the call has been strong to make field lenses wider and with higher magnification to convey the intensity and dynamism of the scene at hand, as well as to outfit them with enhanced operability and tracking.

Our answer to these needs is the new XJ76x9B. This next-generation Standard Field lens successfully offers both enhanced width and higher magnification as well as superior operability and tracking by bringing together the very best of the technology Canon has developed over the last half-century.

## Main Features

**Simultaneously offers a maximum wide angle of 9mm and a high magnification of 76x for wider and longer-distance shooting.**

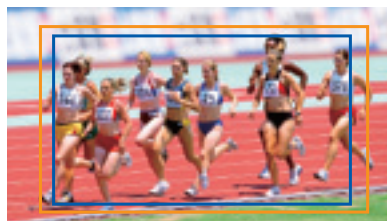
The XJ76x9B is capable of a maximum wide angle of 9mm (56.1° perpendicular angle of view), which is approximately 3% wider than previous long-zoom lenses. This enables the lens to pull back and fully capture the scene even in limited space, and also capture images that exhibit a stunning degree of intensity.

With high magnification boasting a zoom factor of 76x, the XJ76x9B allows any and all scenes, from a panoramic view of a stadium to the detailed expressions on players, to be taken with a single lens.

**Superior operability and tracking enables you to capture images exactly as you want to.**

With its superior operability, the XJ76x9B makes nimble camerawork possible while also offering enhanced width and higher magnification despite no intrusive increases in physical lens size.

Moreover, the use of a high-speed CPU and high-resolution encoder, coupled with improvements in control algorithms, have yielded significant enhancements in handling subjects entering motion and subsequent tracking when zooming at super-slow speeds. The results are shots taken exactly as you intended to take them.



Angle Image of XJ76x (f=9mm)  
Angle Image of XJ72x (f=9.3mm)



f=9mm



f=690mm

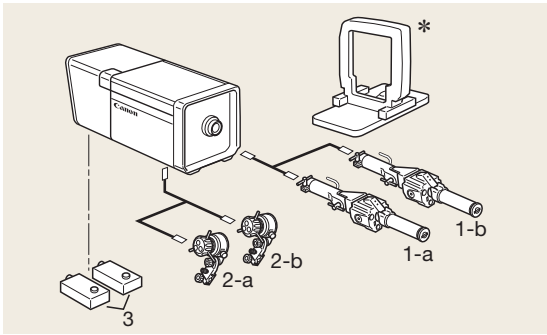


A sophisticated design that makes you feel one with your camera.

The XJ76x9B is designed to mesh perfectly with your camera and accompanying equipment, and blends into stadium surroundings without creating unneeded pressure on the camera operator.



## RECOMMENDED LENS SYSTEM

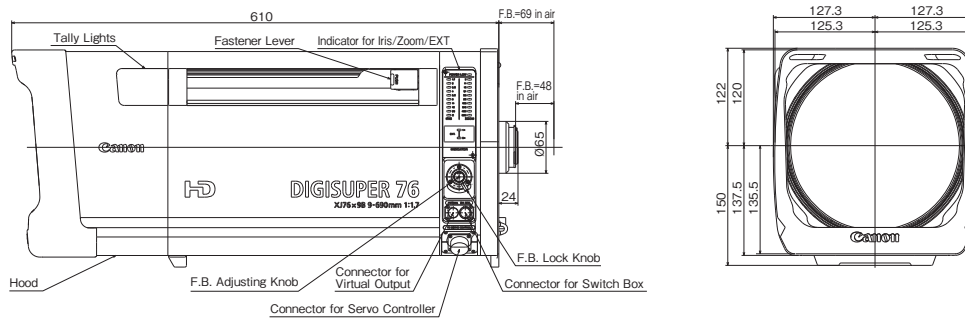


### Compatibility of Accessories for DIGISUPER 76

No.	DESCRIPTION	MODEL NAME
1-a	Digital Zoom Demand	ZDJ-P01
1-b	Digital Zoom Demand	ZDJ-D02
2-a	Digital Focus Demand	FDJ-P01
2-b	Digital Focus Demand	FDJ-D02
3	Digital Servo Module	SMJ-E01
—	Protection Filter	PFJ-951

\* Lens Supporter is necessary for portable camera mounting.

## DIMENSIONS



## SPECIFICATIONS

DIGISUPER 76	16:9		4:3	
Built-in Extender	1.0x	2.0x	1.0x	2.0x
Zoom Ratio	76x			
Range of Focal Length	9~690mm	18~1380mm	9~690mm	18~1380mm
Maximum Relative Aperture	1:1.7 at 9~340mm 1:3.45 at 690mm	1:3.4 at 18~680mm 1:6.9 at 1380mm	1:1.7 at 9~340mm 1:3.45 at 690mm	1:3.4 at 18~680mm 1:6.9 at 1380mm
Angular Field of View	56.1°×33.4° at 9mm 0.80°×0.45° at 690mm	29.9°×17.1° at 18mm 0.40°×0.22° at 1380mm	52.1°×40.3° at 9mm 0.73°×0.55° at 690mm	27.5°×20.8° at 18mm 0.37°×0.27° at 1380mm
Minimum Object Distance (M.O.D.)	3.0m from front lens vertex			
Object Dimensions at M.O.D.	282.4×158.9cm at 9mm 3.8×2.1cm at 690mm	141.2×79.5cm at 18mm 1.9×1.1cm at 1380mm	259.9×194.9cm at 9mm 3.5×2.6cm at 690mm	130.0×97.5cm at 18mm 1.8×1.3cm at 1380mm
Approx. Size	W×H×L=250.6×255.5×610mm			
Approx. Mass	23kg (50.6lbs)			

**North & South America**  
**Canon U.S.A., Inc.**  
 Imaging Technologies & Communications Group  
 Broadcast and Communications Sales & Marketing  
 Division (Headquarters)  
 65 Challenger Road, Ridgefield Park, NJ 07660  
 Tel:+1(201)807-3300/(800)321-4388  
 Fax:+1(201)807-3333  
 Email:bctv@cusa.canon.com  
 http://www.canonbroadcast.com/

**Chicago**  
 100 Park Blvd. Itasca, IL 60143  
 Tel:+1(630)250-6236 Fax:+1(630)250-0399

**Atlanta**  
 5625 Oakbrook Pkwy. Norcross, GA 30093  
 Tel:+1(770)849-7890 Fax:+1(770)849-7888

**Los Angeles**  
 15955 Alton Parkway Irvine, CA 92618  
 Tel:+1(949)753-4330 Fax:+1(949)753-4337

**Dallas**  
 3200 Regent Blvd. Irving, TX 75063  
 Tel:+1(972)409-8871 Fax:+1(972)409-8869

**Latin America**  
 Tel & Fax:+1(954)757-0980

**Canada**  
**Canon Canada, Inc.**  
 Broadcast and Communications Div.  
 6390 Dixie Road  
 Mississauga, Ontario, L5T 1P7, Canada  
 Tel:+1(905)795-2012 Fax:+1(905)795-2140

**Europe/Africa/Middle East**  
**Canon Europe Ltd**  
 Broadcast Products Div.  
 3 The Square, Stockley Park  
 Uxbridge Middlesex  
 United Kingdom UB11 1ET  
 Tel:+44 (0)20 8588 8140  
 Fax:+44 (0)20 8588 8603  
 Email:tvprod@canon-europe.com  
 http://www.canon-europe.com/tv-products/

**Australia**  
**Canon Australia Pty. Ltd.**  
 Optical Products Division  
 1 Thomas Holt Drive, North Ryde, NSW 2113,  
 Australia  
 Tel:+61(0)2-9805-2000 Fax:+61(0)2-9805-2444

**China**  
**Canon (China) Co., Ltd.**  
 Broadcast Equipment Products  
 15F Jinbao Building No.89 Jinbao Street  
 Dongcheng District, Beijing 100005, China  
 Tel:+86-10-8513-9999 Fax:+86-10-8513-9128  
 http://www.canon.com.cn

**Asia/Japan**  
**Canon Inc. (ICP GROUP 5)**  
 30-2, Shimomaruko 3-chome, Ohta-ku, Tokyo  
 146-8501, Japan  
 Tel:+81(0)3-3757-7453 Fax:+81(0)3-3757-7086  
 http://www.canon.com/bctv

Distributed by

Specifications subject to change without notice.

\* This device has not been authorized as required by the rules of the Federal Communications Commission. This device is not and may not be offered for sale or lease or sold or leased, until authorization is obtained.

**Canon** <http://www.canon.com/bctv>