

ECARTONI

PROFESSIONAL CAMERA SUPPORT

FOCUS 10 ✓

USER'S MANUAL & Maintenance





CERTIFICATO N. 19714/09/S
CERTIFICATE No.

SI CERTIFICA CHE IL SISTEMA DI GESTIONE PER LA QUALITÀ DI
 IT IS HEREBY CERTIFIED THAT THE QUALITY MANAGEMENT SYSTEM OF

CARTONI S.P.A.

VIA DI PORTONACCIO, 33/B 00159 ROMA (RM) ITALIA
 NELLE SEGUENTI UNITÀ OPERATIVE / IN THE FOLLOWING OPERATIONAL UNITS

VIA DI PORTONACCIO, 33/B 00159 ROMA (RM) ITALIA

È CONFORME ALLA NORMA / IS IN COMPLIANCE WITH THE STANDARD

ISO 9001:2015

PER I SEGUENTI CAMPI DI ATTIVITÀ / FOR THE FOLLOWING FIELD(S) OF ACTIVITIES

PROGETTAZIONE, FABBRICAZIONE ED ASSISTENZA POST-VENDITA DI PRODOTTI PER LA CINEMATOGRAFIA E LA TELEVISIONE PROFESSIONALE. COMMERCIALIZZAZIONE DI PRODOTTI ED ACCESSORI IN CONCESSIONE PER LA CINEMATOGRAFIA E LA TELEVISIONE PROFESSIONALE

IAF:17
IAF:29

DESIGN, MANUFACTURE AND POST-SALE ASSISTANCE OF PROFESSIONAL BROADCAST AND FILM EQUIPMENT.
 MARKETING OF PROFESSIONAL BROADCAST AND FILM ACCESSORIES AND PRODUCTS AS LOCAL AGENCY/REPRESENTATIVE

La validità del presente certificato è subordinata a sorveglianza periodica annuale / semestrale ed al riesame completo del sistema di gestione con periodicità triennale
 The validity of this certificate is dependent on an annual / six monthly audit and on a complete review, every three years, of the management system
 L'uso e la validità del presente certificato sono soggetti al rispetto del documento RINA: Regolamento per la Certificazione di Sistemi di Gestione per la Qualità
 The use and validity of this certificate are subject to compliance with the RINA document : Rules for the certification of Quality Management Systems

Prima emissione First Issue	12.06.2009	Data decisione di rinnovo Renewal decision date	24.05.2021
Data scadenza Expiry Date	02.06.2024	Data revisione Revision date	24.05.2021

Amilcare Rini
 Rome Management System
 Certification, Head

RINA Services S.p.A.
 Via Corsica 12 - 16128 Genova Italy



CISQ è la Federazione Italiana di Organismi di
 Certificazione dei sistemi di gestione aziendale
 CISQ is the Italian Federation of
 management system Certification Bodies



1.	SAFETY & SET-UP INTRODUCTION	5
2.	OPERATING ELEMENTS	6
3.	PROCEDURES	8
4.	SPECIFICATIONS	9
5.	MAINTENANCE	10
6.	WARRANTY	10
7.	ACCESSORIES & PRODUCT LINE	11



1. SAFETY & SET-UP INTRODUCTION

The **FOCUS 10** Fluid Head is the ideal support for the latest smaller, lighter high-performance Cameras weighing from 0 to 11 kg (0 to 24.3 lbs).

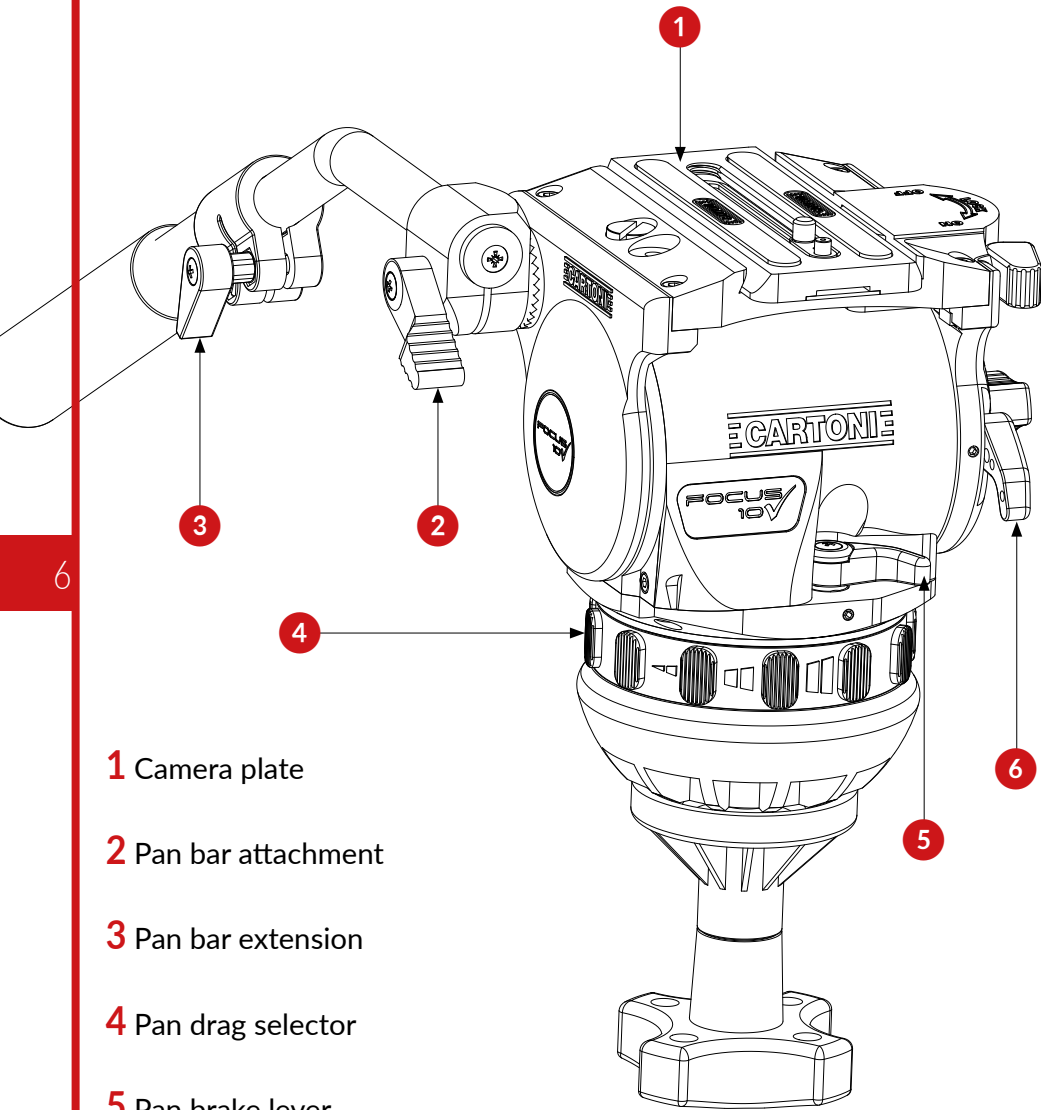
Extremely compact and lightweight, the innovative **FOCUS 10** features a continuously variable fluid damping system on both Pan and Tilt movements and an unrivaled patented variable counterbalance which brings its range of use to cover all existing ENG and lighter high-performance cameras.

The **FOCUS 10** head comes equipped with a quick release sliding Camera plate, illuminated spirit level and telescopic Pan bar. Its tilting range is +/- 90° has a perfect response throughout the entire Tilt range. This Head interfaces with all 100 mm bowl base tripods and supports.

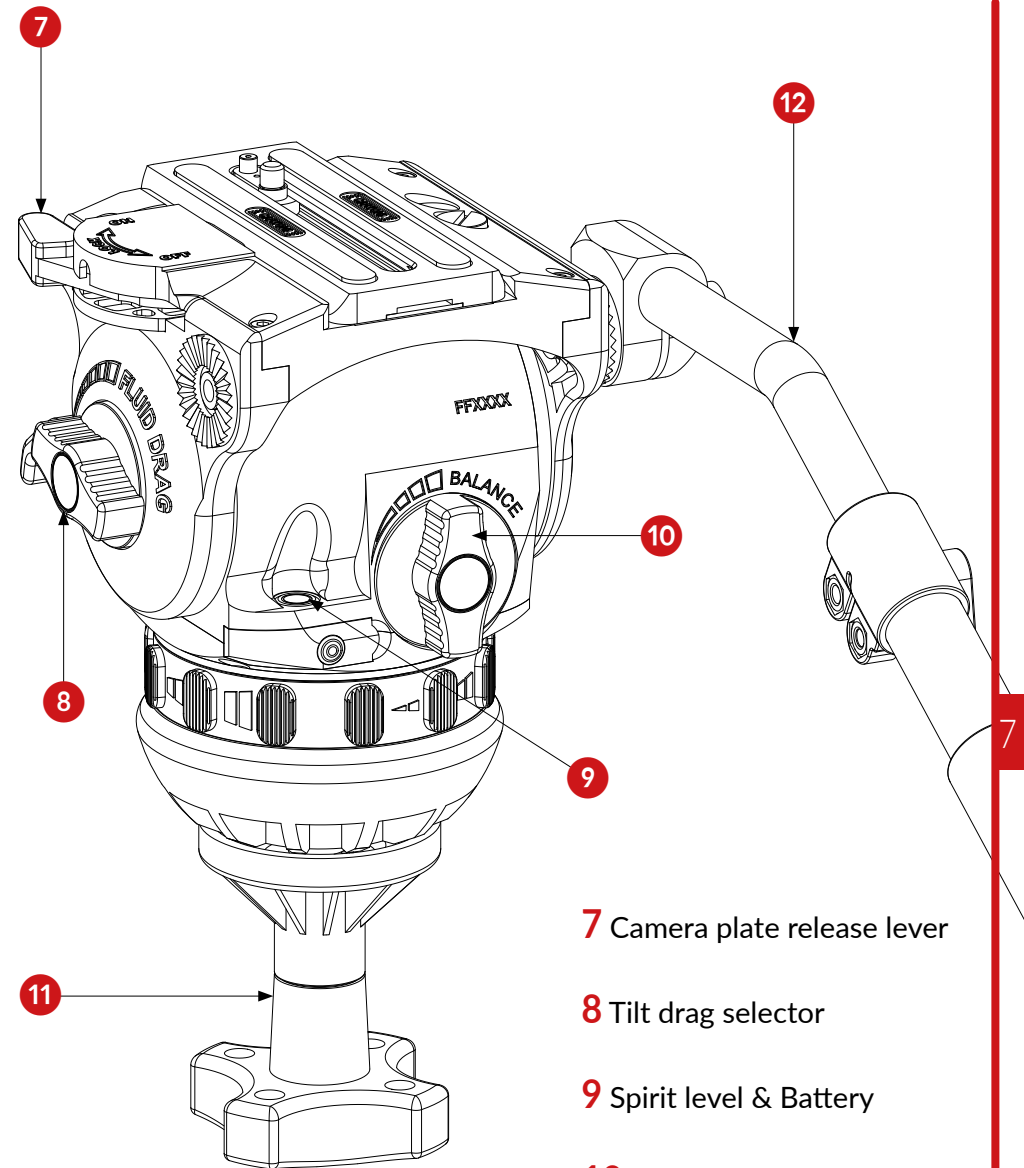
The extreme ruggedness and versatility together with a superior quality/price ratio makes the **FOCUS 10** the best possible support for news Operators and Videographers.

- ✓ Before using your new **FOCUS 10**, please read this user manual.
- ✓ Before installing the Fluid Head on the Tripod check the Tripod stability.
- ✓ Verify that the Camera payload (including lens and all accessories) is below the maximum capacity of the Fluid Head.
- ✓ Before setting up the Camera, make sure that the Fluid Head is in perfect operative conditions with no damages.

2. OPERATING ELEMENTS



- 1 Camera plate
- 2 Pan bar attachment
- 3 Pan bar extension
- 4 Pan drag selector
- 5 Pan brake lever
- 6 Tilt brake lever



- 7 Camera plate release lever
- 8 Tilt drag selector
- 9 Spirit level & Battery
- 10 Counterbalance selector
- 11 Tie down knob
- 12 Pan bar

3. PROCEDURES

- ✓ Place the **FOCUS 10** on your Tripod by loosening the tie-down knob (11) under the Fluid Head and level using the spirit bubble (9). In low light conditions, press button (9) for light.
- ✓ Connect the Pan bar (12) to the Fluid Head tightening the lever (2) on the Pan bar attachment and select the desired operating angle. The telescopic Pan bar length can be adjusted via lever (3).
- ✓ Lock both Pan and Tilt brakes (5 & 6), turn both Tilt drag selector (8) and counterbalance knob (10) to the minimum.
- ✓ Open completely the Camera plate lock lever (7) to release the Camera plate (1).
- ✓ Attach the Camera plate (1) under the Camera and tighten the clamping screw. Center the plate on the Camera, keeping the center of gravity position in mind.
- ✓ Place the camera sideways on top of the **FOCUS 10**, the wedge plate will lock into place: the Camera plate locking lever (7) will click into an intermediate position, so that you can slide the Camera back & forth to the best position.
- ✓ Hold the Camera in horizontal position with the Pan bar (12) and release the Tilt brake lever (6). To find the correct center of gravity position, slide the Camera plate (1) back & forth till you have achieved the desired balance. Lock the Camera plate lever (7) all the way to "ON" position.

- ✓ Set the counterbalance system by turning the balance knob clockwise (10) to appropriate tension. The Camera has to stay at any tilt angle. Eventually fine-tune by adjusting the sliding plate.
- ✓ Unlock the Pan brake lever (5) and set the Fluid drag control by adjusting selectors (4 & 8).
- ✓ When spirit bubble light fails it is time to replace the batteries (9). Pull out the battery tray.
- ✓ For easy mounting on a slider, the threaded shaft on the head bowl can be removed with a 10 mm allen key and a 3/8 inch threaded hole will allow the connection.

4. SPECIFICATIONS

Minimum payload	0 Kg	0 lbs
Maximum payload	11 Kg	24.3 lbs
Weight	2 Kg	4.4 lbs
Bowl diameter	100 mm	
Fluid control	Continuous	
Counterbalance	Continuous	
Pan range	360°	
Tilt range	+/- 90°	
Temperature range	-40 / +60 °C	-40 / +140 °F

5. MAINTENANCE

With indoor use - when needed - just clean the **FOCUS 10** and Tripod with a soft cloth. Dirt accumulated during storage may be removed using a brush or Air spray.

CARTONI products main mechanisms are sealed as they are also built for professional outdoor use.

However, use under rough conditions will require special care. Salt water is very corrosive and can cause extreme damages. In attempt to avoid further damage the Fluid Head should be washed off with fresh water at the earliest opportunity and dried before storage.

Sand and dirt are abrasive and should be removed using a semi-stiff brush or Air spray.

Disconnect spirit level battery during long term storage.

6. WARRANTY

All **CARTONI** Fluid Heads & Pedestals have a free of charge three (3) year warranty. Register your product at www.cartoni.com within 30 days from date of first purchase/invoice to receive further two (2) year warranty for the unsurpassed free five (5) year warranty.

Tripods, spreaders, dollies and all accessories are guaranteed one (1) year from the date of first purchase/invoice.

CARTONI warrant that the product supplied will - under proper use - be free from defects in workmanship and materials and agrees that it will, at its option, either repair or replace any defective part within duration of warranty from date of first purchase with no labour charge.

This warranty does not apply to any **CARTONI** product that has been damaged in shipping or handling, abused, misused, operated contrary to instructions for use, neglected, normal wear or tear, modified or changed in design or construction or serviced by unauthorized parties.

Repairs or misuse by any unauthorized parties will void this warranty.

Warranty claims must be submitted - in writing - to the factory for verification or to an authorized distributor/dealer designated by **CARTONI**.

It is the end user's responsibility when ordering to ensure that the products ordered conform to his requirements.

All freight of product to **CARTONI** must be prepaid. All implied warranties are limited to the time period set forth herein & subject to change without notice.

No liability can be accepted for any variation.

7. ACCESSORIES & PRODUCT LINE

For the complete Accessories list & Product line please visit **CARTONI**'s official website www.cartoni.com.

Every product has an updated list of compatible items sorted by groups, with descriptions and technical data.



CARTONI
PROFESSIONAL CAMERA SUPPORT

CARTONI S.p.A
Via di Portonaccio, 33/B - 00159 Rome (Italy)
Phone +39 06 4382002
Fax +39 06 43588293
Email: cartoni@cartoni.com
www.cartoni.com