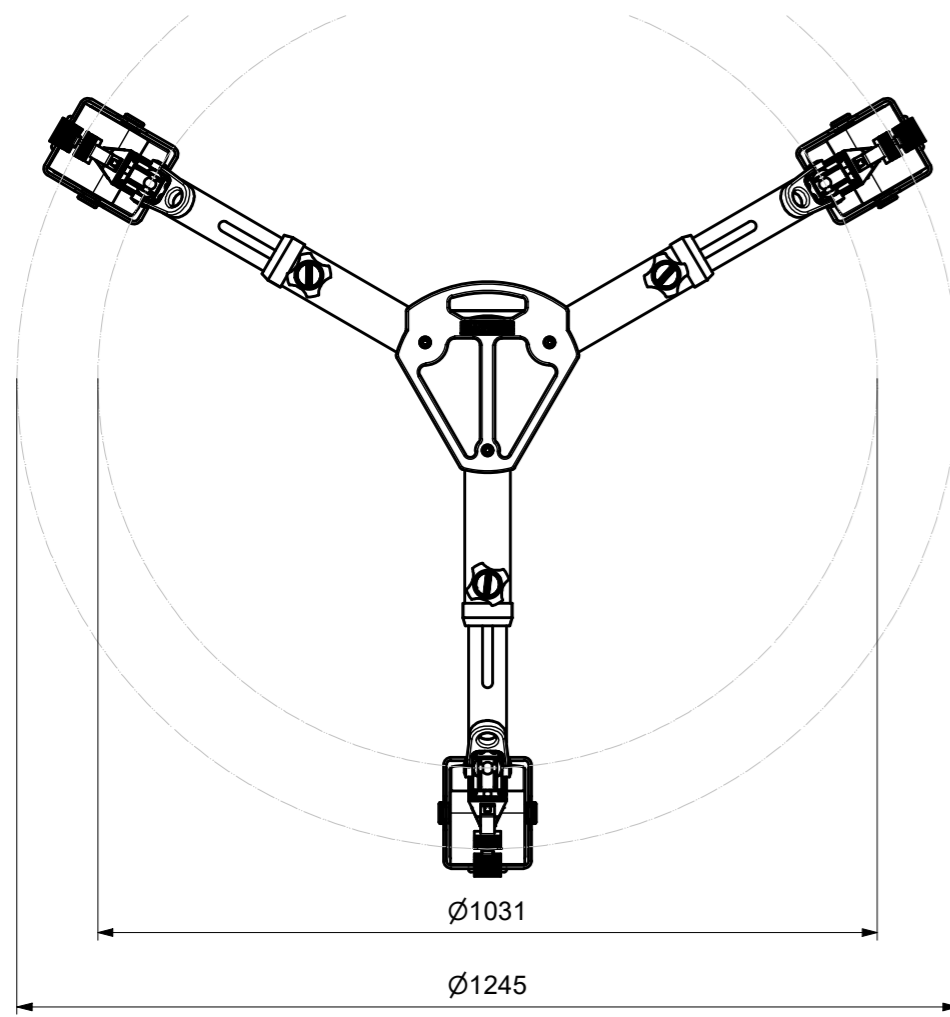
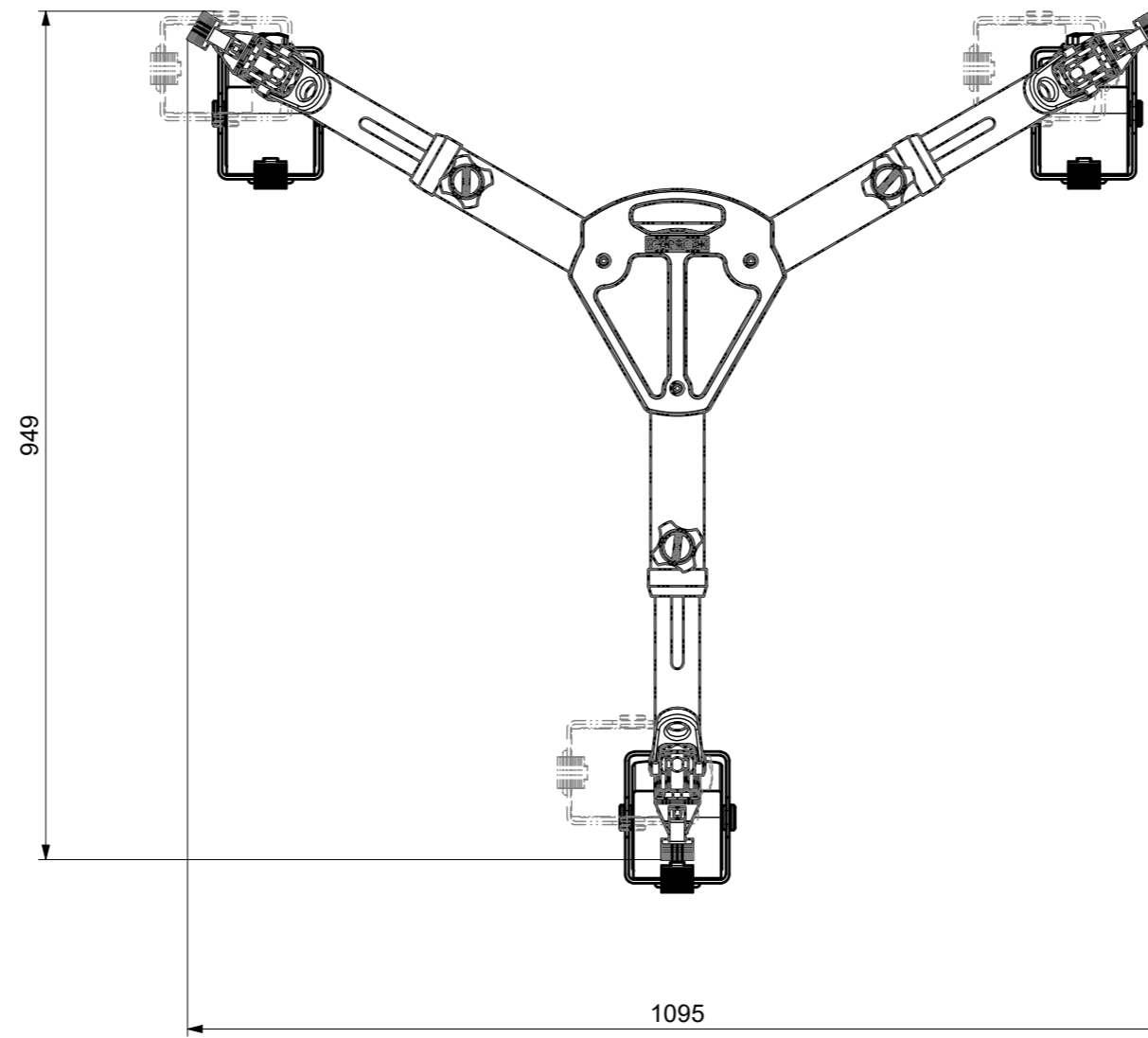


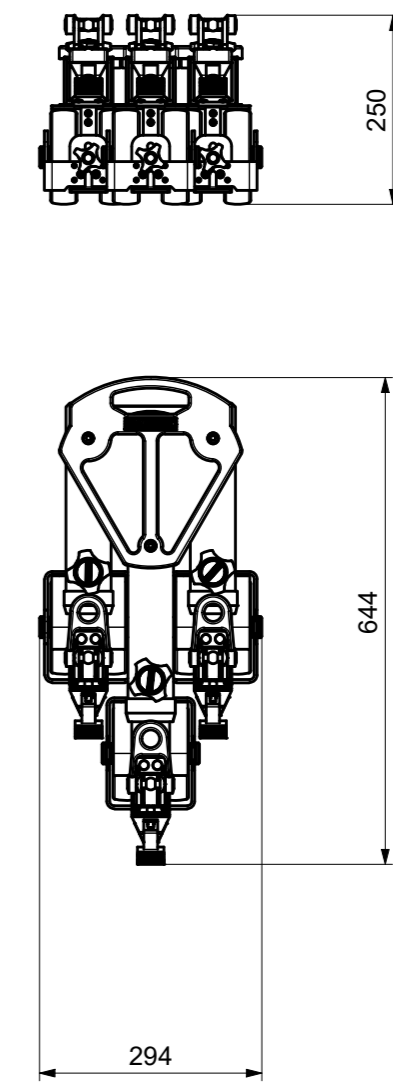
Footprint dimensions (Extended arms)  
(1 : 10)



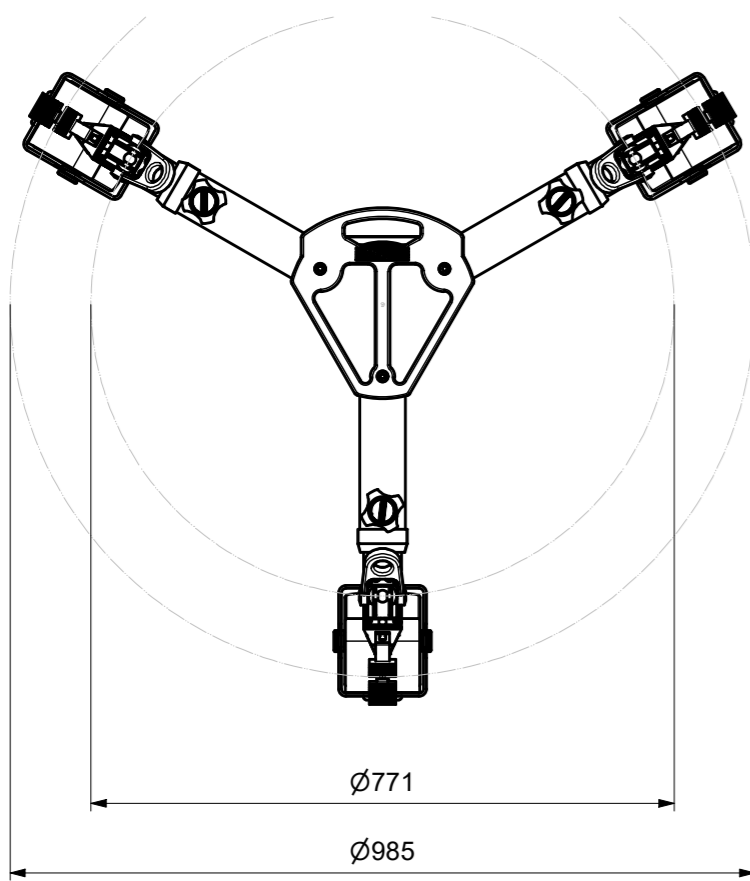
Doorway dimensions (Extended arms)  
(1 : 8)



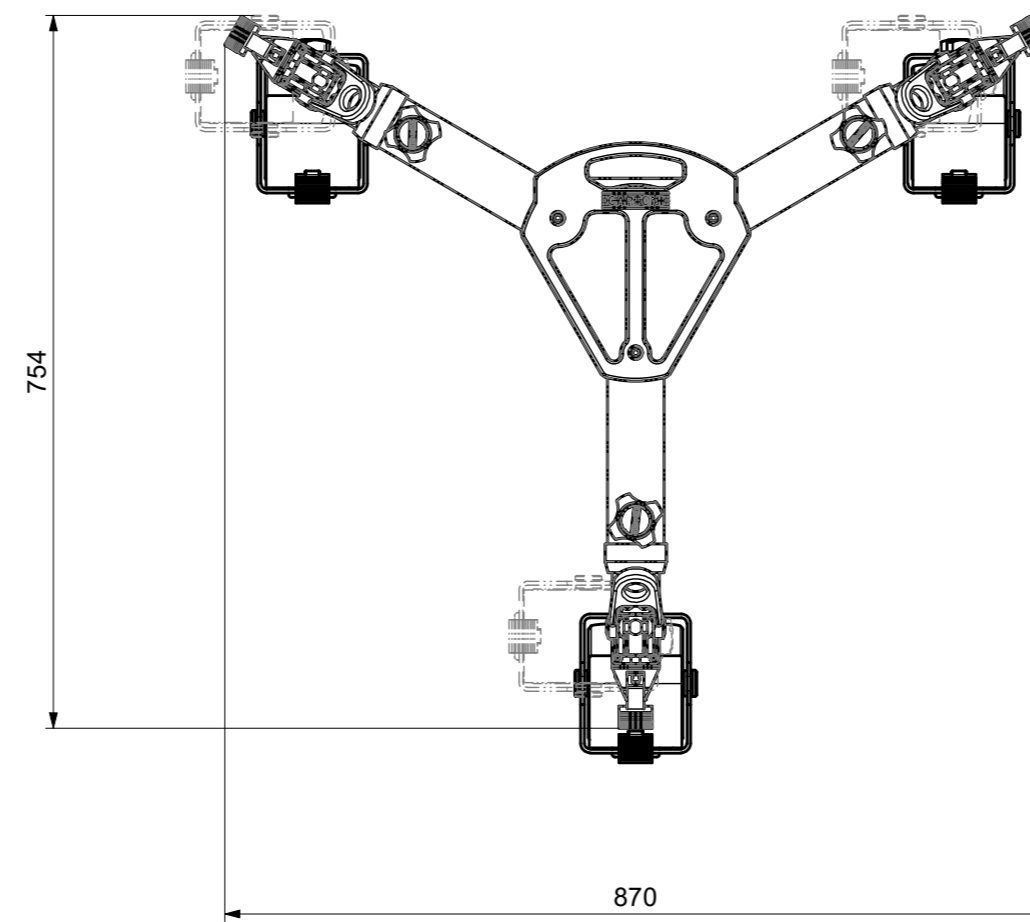
Transport dimensions  
(1 : 10)



Footprint dimensions (Retracted arms)  
(1 : 10)



Doorway dimensions (Retracted arms)  
(1 : 8)



TECHNICAL DATA	
Payload	110kg
Weight	13,6 kg
min. Dolly Radius	77cm
max. Dolly Radius	103cm
Wheel Radius	12,5cm

Comm. Code:  
**D837/A**

