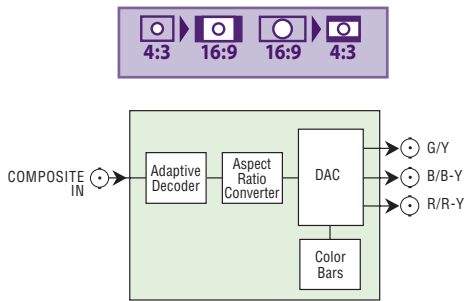


DEC-271p

NTSC/PAL/SECAM to CAV Decoder and ARC



This picoLink composite to component analog video decoder also doubles as an aspect ratio converter. This module allows you to select the direction of conversion: 16:9 to 4:3 or vice versa. A transparent mode disables the aspect ratio converter for decode-only applications. This module also offers 2-line luma and chroma filters with an adaptive luma comb filter for NTSC and a color bars generator.



DEC-271p Functional Block Diagram

Technical Specifications

INPUT		SYNC LEVEL:	280 mV
SIGNAL:	NTSC (525/60) SMPTE 170M or PAL (625/50) ITU-R BT.470-6 or PAL-M (525/60) ITU-R BT.470-6 or PAL-N (625/50) ITU-R BT.470-6 or SECAM (625/50) ITU-R BT.470-6	ASPECT RATIO:	16:9 or 4:3
ASPECT RATIO:	16:9 or 4:3	CONNECTORS:	Cables with male BNC (3)
CONNECTOR:	75 Ω BNC	PROCESSING PERFORMANCE	
OUTPUT		QUANTIZATION:	8 bits
SIGNAL:	G/Y, B/B-Y, R/R-Y: 0.7 V _{p-p} nominal	FREQ. RESPONSE:	±0.5 dB to 4.2 MHz
		PROCESSING DELAY:	
		525:	2 or 32 lines
		625:	2 or 36 lines
		TEST SIGNAL:	75% color bars with 100% white

Ordering Information

DEC-271p	NTSC/PAL/SECAM To CAV Decoder And ARC
Accessories:	
LKS-WSU	Power Supply For 110 V or 220 V
LKS-CPS	Centralized Power Supply For Up To 10 units
pL-Tray	Rack mounted tray for up to 10 picoLinks

ARC-371p

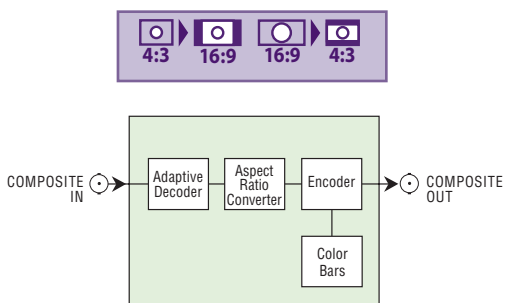
NTSC/PAL/SECAM Aspect Ratio Converter



The ARC-371p is a miniature composite aspect ratio converter which automatically detects NTSC, PAL and SECAM standards and provides a composite output signal. Operators can choose 16:9 to 4:3 or 4:3 to 16:9 conversion, or convert standards such as:

- NTSC to/from PAL-M,
- PAL to/from PAL-N,
- SECAM to PAL or PAL-N.

The ARC-371p offers 2-line luma and chroma filters with an adaptive luma comb filter for NTSC and a color bars generator.



ARC-371p Functional Block Diagram

Technical Specifications

INPUT		ASPECT RATIO:	16:9 or 4:3
SIGNAL:	NTSC (525/60) SMPTE 170M or PAL (625/50) ITU-R BT.470-6 or PAL-M (525/60) ITU-R BT.470-6 or PAL-N (625/50) ITU-R BT.470-6 or SECAM (625/50) ITU-R BT.470-6	CONNECTOR:	75 Ω BNC
ASPECT RATIO:	16:9 or 4:3	PROCESSING PERFORMANCE	
CONNECTOR:	75 Ω BNC	SIGNAL PATH:	8 bits
OUTPUT		QUANTIZATION:	10 bits
SIGNAL:	NTSC, PAL, PAL-M or PAL-N: 1.0 V _{p-p} nominal	FREQ. RESPONSE:	±0.5 dB to 4.2 MHz
		PROCESSING DELAY:	
		525:	2 or 32 lines
		625:	2 or 36 lines
		TEST SIGNAL:	75% color bars with 100% white

Ordering Information

ARC-371p	NTSC/PAL/SECAM Aspect Ratio Converter
Accessories:	
LKS-WSU	Power Supply For 110 V or 220 V
LKS-CPS	Centralized Power Supply For Up To 10 units
pL-Tray	Rack mounted tray for up to 10 picoLinks