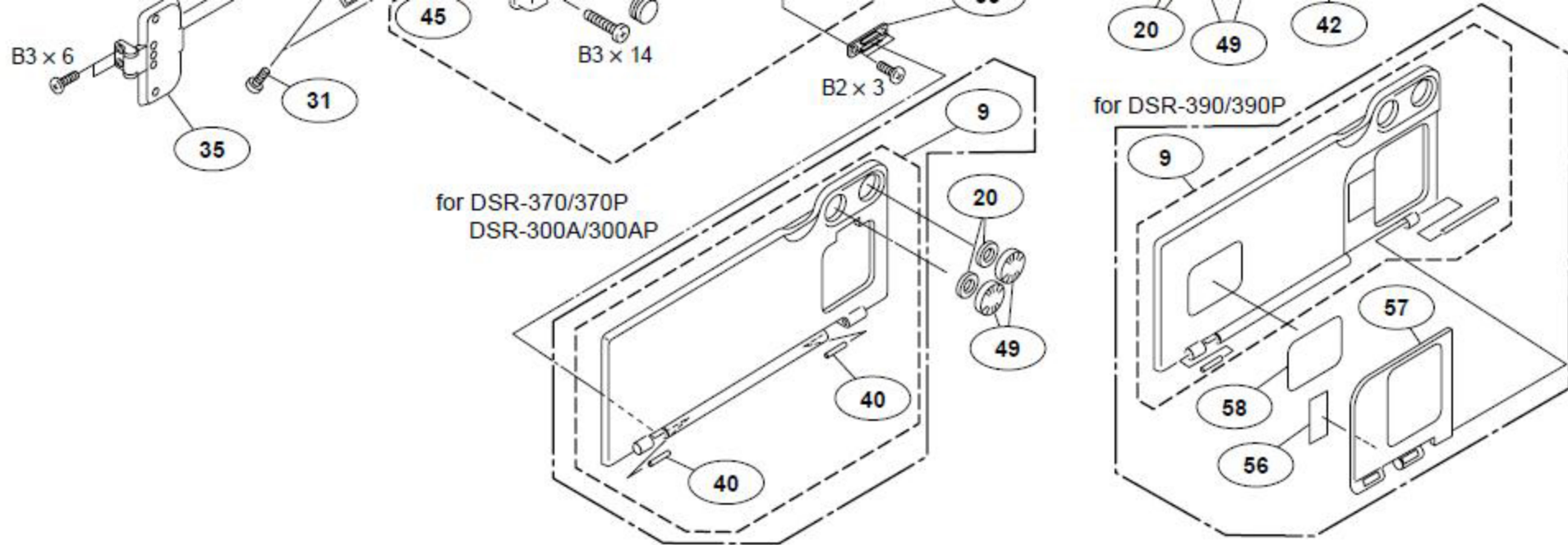


No.	Part No.	SP Description
1	A-8324-994-A	o MOUNTED CIRCUIT BOARD, FP-122 [for DSR-300A/300AP]
	A-8329-963-A	s MOUNTED CIRCUIT BOARD, FP-118A [for DSR-390/390P/370/370P]
2	A-8318-188-A	o MOUNTED CIRCUIT BOARD, KY-405
3	A-8322-170-A	o MOUNTED CIRCUIT BOARD, GCN-16
4	A-8318-233-A	o MOUNTED CIRCUIT BOARD, FP-99
5	X-3604-530-1	o SUPPORT L-M ASSEMBLY, ARM
6	X-3604-535-4	s LID ASSEMBLY, CASSETTE COMPARTMENT [for DSR-300A/300AP]
	X-3608-412-1	s LID ASSY, CASSETTE COMPARTMENT [for DSR-390/390P/370/370P]
7	X-3604-536-7	o L PANEL SUB ASSEMBLY [for DSR-300A/300AP]
	X-3608-409-2	o PANEL SUB ASSY, L [for DSR-390/390P/370/370P]
8	3-612-570-03	o PAD, R
9	X-3604-538-5	s COVER ASSEMBLY, FP [for DSR-300A/300AP]
	X-3608-410-2	s COVER ASSY, FP [for DSR-370/370P]
	X-3608-603-1	s ASSY, SIDE PANEL [for DSR-390/390P]

No.	Part No.	SP Description
10	X-3605-822-5	s R PANEL SUB ASSEMBLY(A) [for DSR-300A/300AP]
	X-3608-413-4	o SUB ASSY, R PANEL (B) [for DSR-390/390P/370/370P]
11	X-3605-818-1	o KEY PANEL SUB ASSEMBLY [for DSR-300A/300AP]
	X-3608-411-2	o SUB ASSY, KEY PANEL [for DSR-390/390P/370/370P]
12	X-3678-799-5	o SUPPORT L ASSEMBLY, ARM
13	X-3678-976-3	s SCREW ASSEMBLY, MD
14	1-473-406-11	s ENCODER, ED JOG, SW-929
15	1-544-559-11	s SPEAKER
16	1-550-414-31	s HOLDER, BATTERY
17	1-528-174-31	s BATTERY, LITHIUM (CR2032 TYPE)
18	1-777-902-11	o CABLE, FLAT TYPE (10-CORE)
19	1-783-363-11	s CABLE, FLAT TYPE (10-CORE)
20	3-176-488-01	s SHEET, VR
21	3-604-358-01	o KNOB (H), SW
22	3-604-373-03	o COVER, BATTERY
23	3-604-805-01	o CLAMP B, SHAFT
24	3-604-806-01	o SUPPORT, SHAFT



No.	Part No.	SP Description	No.	Part No.	SP Description
25	3-604-889-01	o SHAFT R1, ARM	41	3-679-501-01	o COVER, RUBBER KEY BOARD
26	3-604-897-01	o FL, SUPPORT	42	3-717-936-03	s COVER, LED
27	3-604-898-01	o FR, SUPPORT	43	3-701-437-11	s WASHER
28	3-605-437-01	o SUPPORT, KNOB	44	3-703-358-06	s PIN, PARALLEL (DIA. 2X14)
29	3-605-946-01	o ROLLER, F	45	3-672-250-01	s RING (M2.6), O
30	3-607-206-02	s FOOT, RUBBER	46	3-704-244-41	s SCREW (P1.7X3.0)
31	3-625-924-01	s ALOCK SCREW, +B2.6NI	47	3-718-694-01	s PIN, PUSH BUTTON
32	3-612-529-01	s HINGE(F), FP	49	3-724-755-04	s KNOB (F), VR
33	3-612-530-01	s HINGE(R), FP	50	3-744-304-01	s KNOB (SUPPORT)
34	3-612-572-02	o SUPPORT PANEL, SUB [for DSR-300A/300AP]	51	7-627-556-58	s SCREW, PRECISION +P2.6X5
	3-612-572-21	o SUPPORT PANEL, SUB [for DSR-390/390P/370/370P]	52	3-622-568-01	o SPRING, GROUND
35	X-3605-488-1	s SWITCH GUARD ASSEMBLY	53	A-8278-791-H	o PANEL ASSY, L [for DSR-300A/300AP]
36	3-612-632-02	s COVER, SW(H)		A-8279-674-A	o PANEL ASSY, L [for DSR-390/390P/370/370P]
37	3-612-674-01	s COVER, SWITCH	54	3-679-086-01	o BUTTON, PUSH
38	3-676-244-21	s COVER, SWITCH	55	3-686-086-01	s CUSHION, BUTTON
39	3-617-811-01	s HOLDER, CLAMP	56	3-790-024-01	s MAGNET, SP [for DSR-390/390P]
40	3-703-358-09	o PIN, PARALLEL (DIA. 2X25)	57	3-790-026-01	s DOOR, SIDE PANEL [for DSR-390/390P]
			58	3-790-029-01	s WINDOW, DOOR (VTR TRIGGER) [for DSR-390/390P]