



Video Products Technical Bulletin 30-2008-043

DATE: May 19, 2008

SUBJECT: PARTS REGISTRATION—HANDLE SUB ASSEMBLY

MODEL: DSR-400K
DSR-400L
DSR-400PK
DSR-400PL
DSR-450WSL
DSR-450WSPL
DSR-600PL
DSR-650WSPL
PDW-F330K
PDW-F330L
PDW-F330L//U
PDW-F350L
PDW-F350L//U

SERIAL NO: ALL

Italicized information in green applies to customers outside the United States.

DESCRIPTION

The handle sub assembly is available as service part number **A-1106-984-B**. (See Figure 1.)

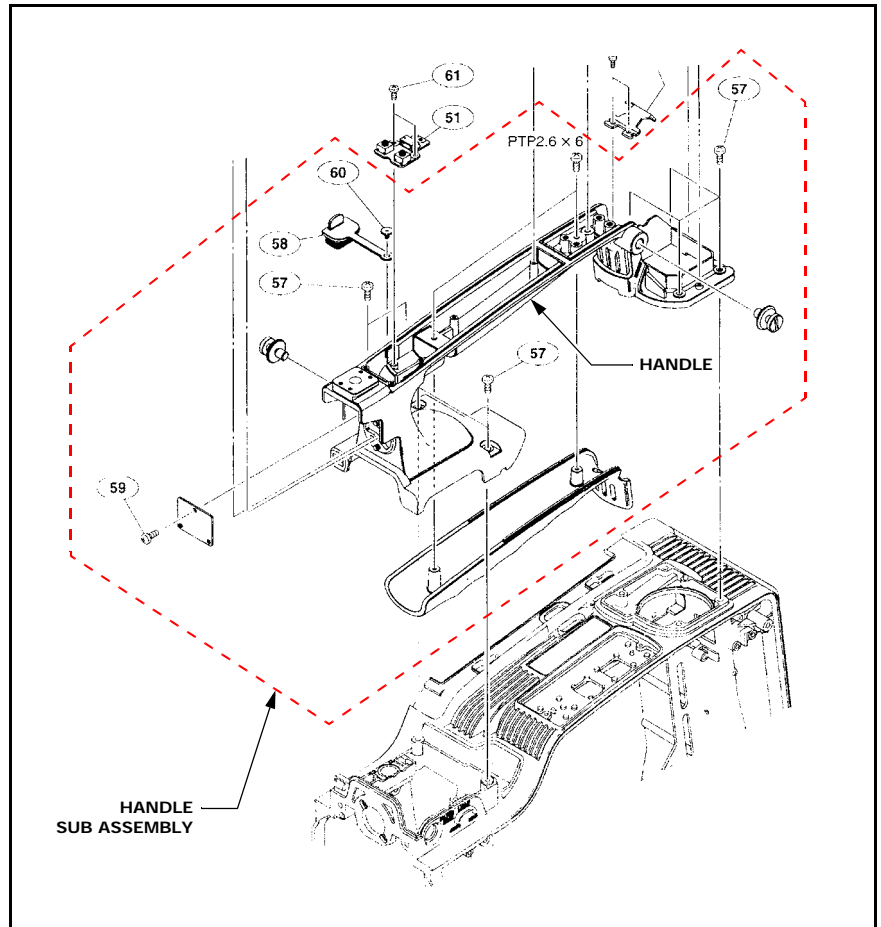


Figure 1

NOTE: The handle sub assembly includes suspension bracket assemblies (C) (X-3710-037-1, 2 pieces), which are used to fasten the shoulder belt.

To prevent the suspension brackets from becoming loose and causing the camcorder to fall off, the brackets are affixed to the handle with strong adhesive and cannot be removed. Therefore, the handle must be replaced as an assembly and not as an individual part.

BIM07-011, PDWM07-017