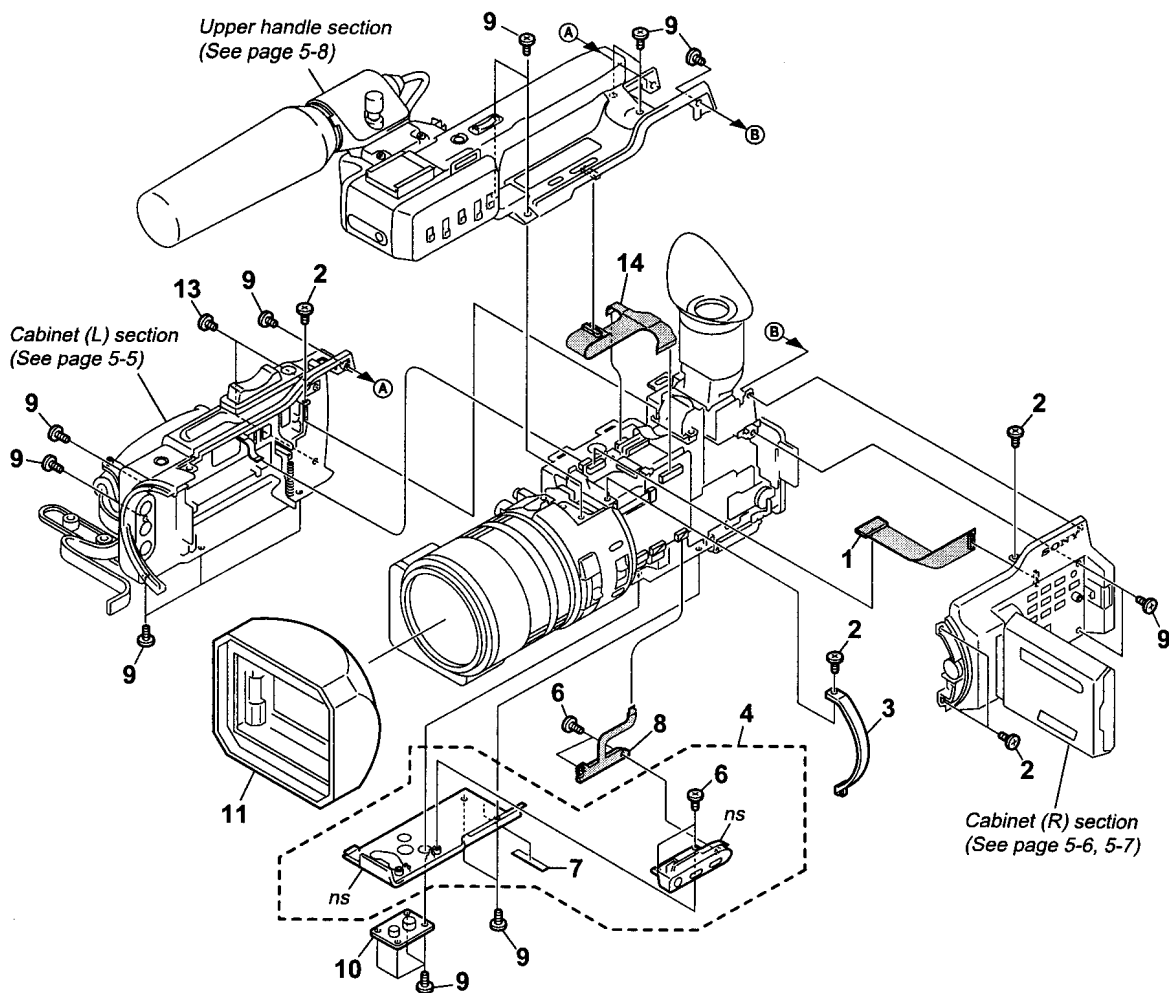


5. REPAIR PARTS LIST

5-1. EXPLODED VIEWS

5-1-1. OVERALL SECTION-1

ns : not supplied



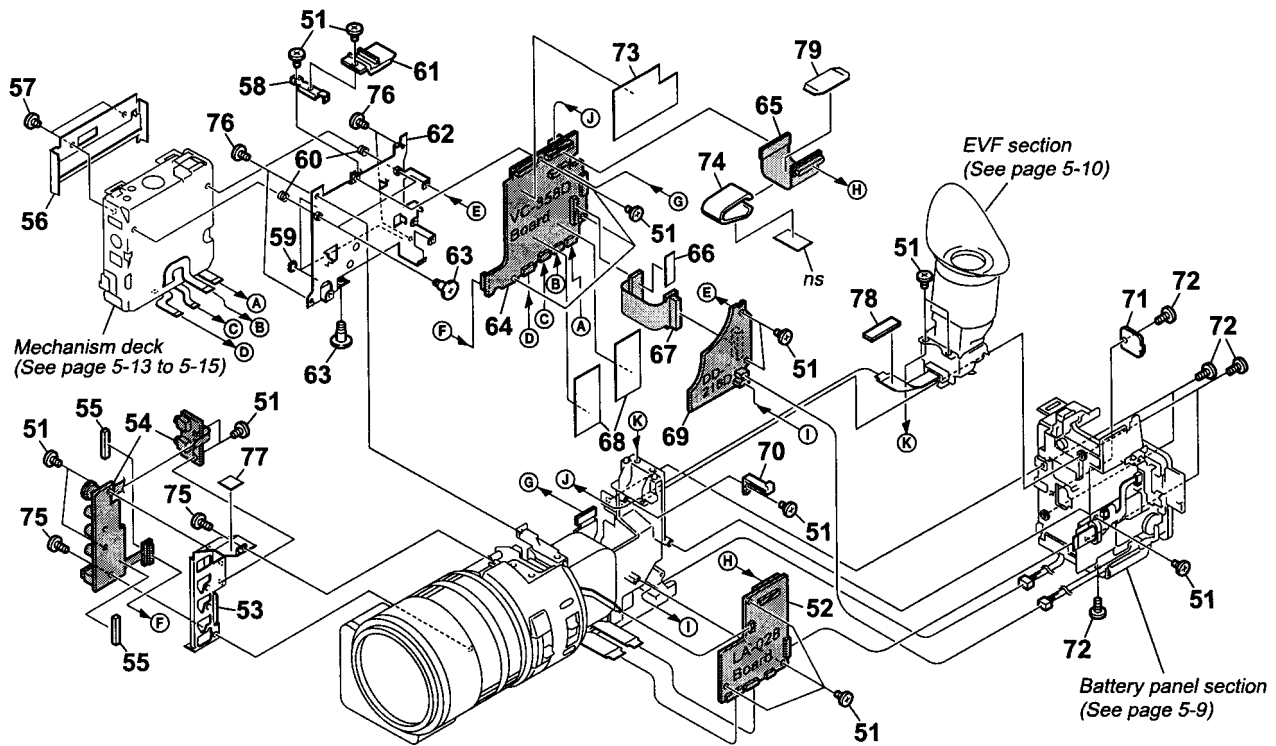
Ref. No.	Part No.	Description
1	1-678-055-21	FP-187 FLEXIBLE BOARD
2	3-053-121-21	BOLT (M2), SPRING
3	3-060-683-01	PLATE, CF ORNAMENTAL
4	X-3953-919-1	CABINET BOTTOM ASSY
6	3-080-205-21	SCREW,TAPPING,P2
7	3-062-455-01	FOOT (B), RUBBER

Ref. No.	Part No.	Description
8	1-678-057-31	FP-189 FLEXIBLE BOARD
9	3-080-203-41	SCREW(M2),LOCK ACE,P2
10	3-963-940-02	TABLE, TRIPOD
11	3-088-528-01	HOOD, LENS
13	3-080-203-21	SCREW(M2),LOCK ACE,P2
14	1-861-004-11	FP-895 FLEXIBLE BOARD

5. REPAIR PARTS LIST

5-1-2. OVERALL SECTION-2

ns : not supplied



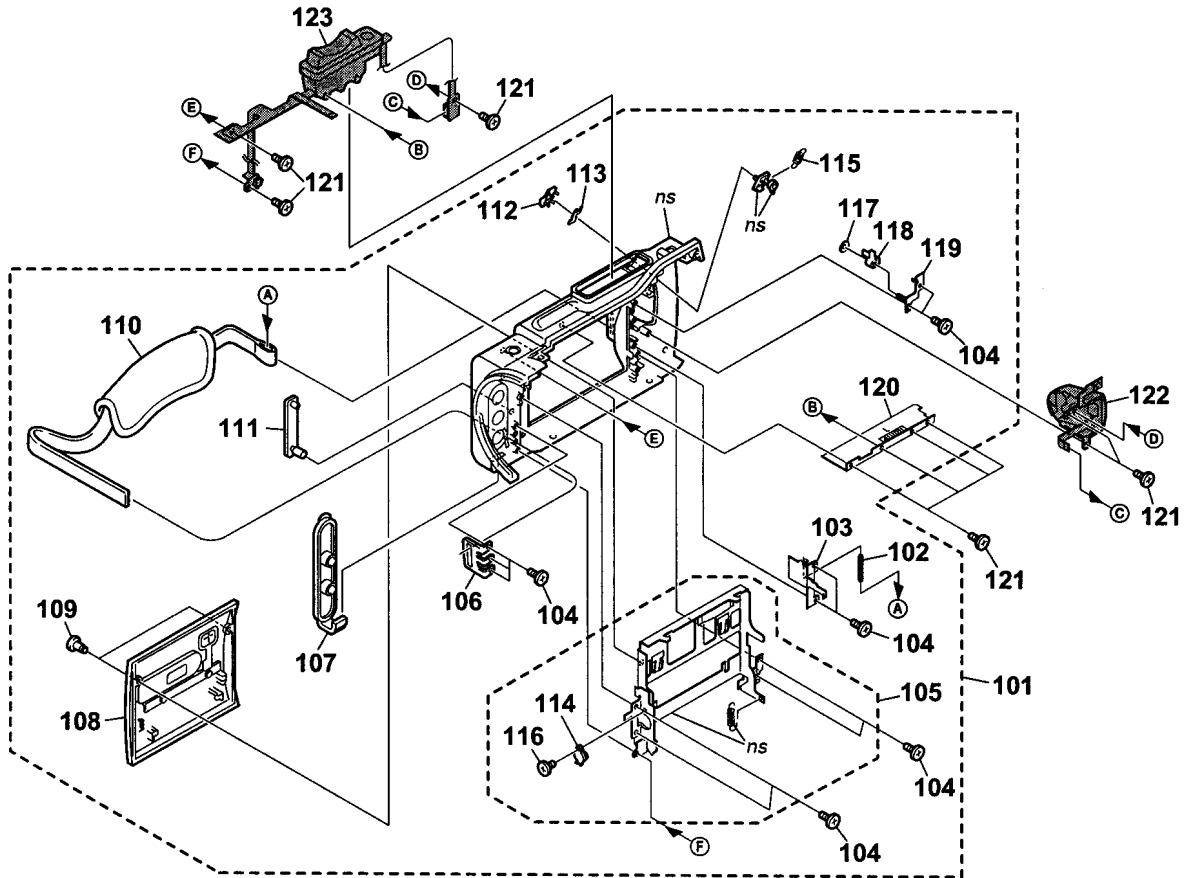
Ref. No.	Part No.	Description
51	3-080-202-21	SCREW(M2),LOCK ACE,P2
52	A-7078-946-A	LA-028 BOARD, COMPLETE
53	3-060-682-01	FRAME, JK
54	A-7078-952-A	JK-267 BOARD, COMPLETE
* 55	3-053-354-01	CUSHION, CD FLEXIBLE
56	3-060-673-01	LID, LD OUTER
57	3-080-203-01	SREW(M2),LOCK ACE,P2
58	3-060-684-01	JOINT, LA
59	3-975-921-01	SHEET, VIBRATION PROOF
60	3-061-679-02	SPRING, MD GROUND
61	3-060-789-01	RETAINER, FLEXIBLE
62	X-3950-571-1	FRAME ASSY, MD
63	3-988-464-11	SCREW (M2), STEP
64	A-7112-573-A	VC-358D BOARD, COMPLETE (SERVICE)
65	1-678-054-31	FP-186 FLEXIBLE BOARD

Ref. No.	Part No.	Description
66	3-061-053-01	SHEET, FP191
67	1-678-059-21	FP-191 FLEXIBLE BOARD
68	3-061-516-01	SHEET, RF FLEXIBLE
69	A-7078-957-A	DD-216D BOARD, COMPLETE
70	3-060-787-01	CLAMP, FLEXIBLE
71	3-060-677-11	COVER, CPC
72	3-080-203-41	SREW(M2),LOCK ACE,P2
* 73	3-062-779-01	SHEET (VC)
74	1-469-830-11	FILTER, EMI
75	3-053-121-21	BOLT (M2), SPRING
76	3-072-453-11	O PLATE +P2 MAIN M2EG GRIP
* 77	3-062-739-01	SHEET (C), ABSORBING
* 78	3-066-153-01	SHEET (VI)
79	3-089-711-01	SHEET (FP-186), COPPER LEAF

5. REPAIR PARTS LIST

5-1-3. CABINET (L) SECTION

ns : not supplied



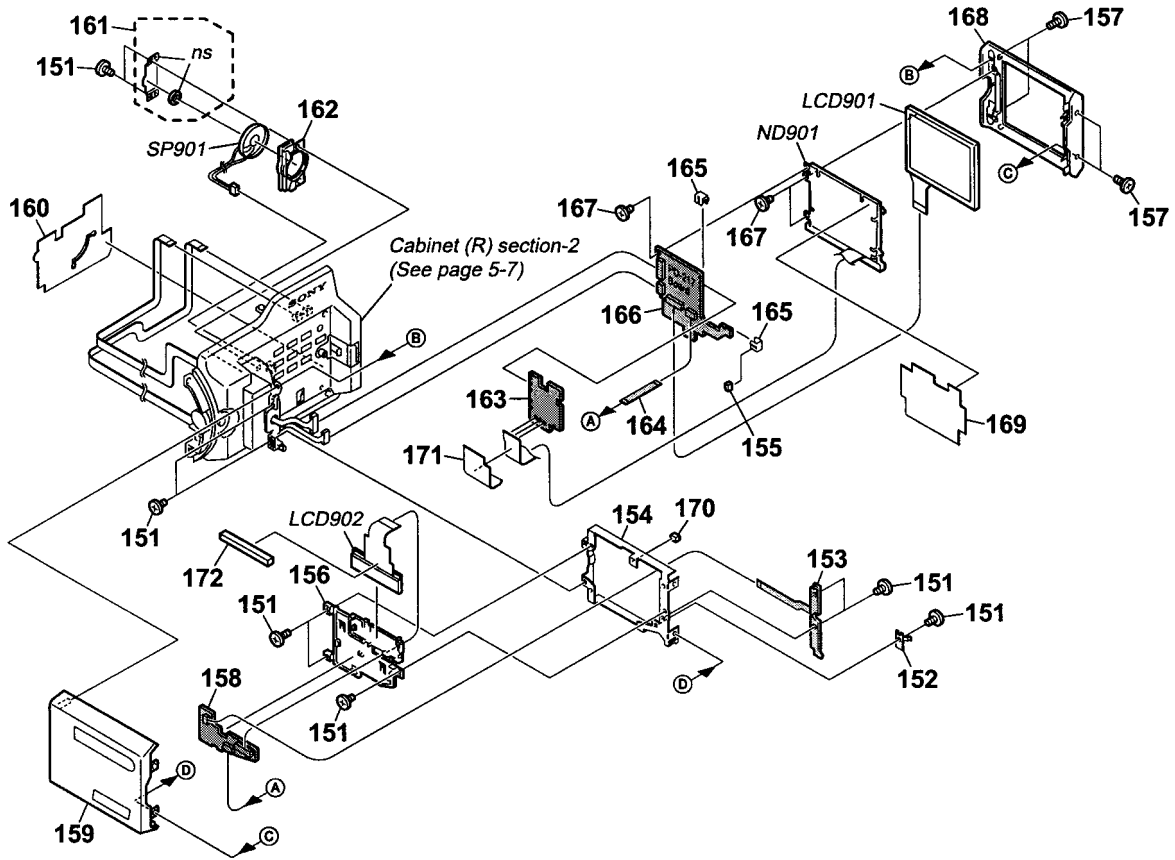
Ref. No.	Part No.	Description
101	X-3953-977-1	CABINET L (D) ASSY
102	3-703-357-08	PIN (DIA. 1.6 SERISE)
103	3-060-550-02	BRACKET (REAR), GRIP
104	3-080-206-21	SCREW, TAPPING, P2
105	X-3950-561-1	CS ASSY
106	3-051-871-01	BRACKET (FRONT), BELT
107	3-060-540-11	COVER (AV), JACK
108	X-3954-000-1	LID (D) ASSY, CASSETTE
109	3-060-790-11	SCREW (M2 STEP)
110	3-060-548-03	BELT, GRIP
111	3-060-541-11	COVER (L), JACK
112	3-060-551-01	KNOB, EJECT

Ref. No.	Part No.	Description
113	3-060-549-01	SHEET, EJECT
* 114	4-634-290-01	DAMPER
115	3-060-554-01	SPRING, TENSION
116	3-968-729-81	SCREW (M2), LOCK ACE, P2
117	3-669-465-01	WASHER (1.5), STOPPER
118	3-060-553-01	LEVER, EJECT
119	X-3950-585-1	SHEET METAL ASSY, EJECT
120	X-3950-562-1	SLIDER ASSY
121	3-080-205-21	SCREW, TAPPING, P2
122	1-476-075-21	SWITCH BLOCK, CONTROL (PS-4980)
123	1-476-025-21	SWITCH BLOCK, CONTROL (CF-4980)

5. REPAIR PARTS LIST

5-1-4. CABINET (R) SECTION-1

ns : not supplied



Ref. No.	Part No.	Description
151	3-080-202-21	SCREW(M2),LOCK ACE,P2
* 152	3-060-698-01	RETAINER, BL
153	1-678-063-31	FP-196 FLEXIBLE BOARD
* 154	3-060-688-01	FRAME, LCD
155	3-061-509-01	PAD (RIGHT), PD
* 156	3-060-687-01	HOLDER, PANEL
157	3-080-203-41	SREW(M2),LOCK ACE,P2
158	A-7078-944-A	HL-013 BOARD, COMPLETE
159	X-3954-002-1	CABINET (C) (D) ASSY, P
160	3-060-796-01	SHEET, R FLEXIBLE PROTECTION
* 161	X-3950-577-2	PLATE ASSY, SP RETAINER
* 162	3-060-686-01	HOLDER, SPEAKER
△ 163	1-418-876-11	TRANSFORMER UNIT, INVERTER

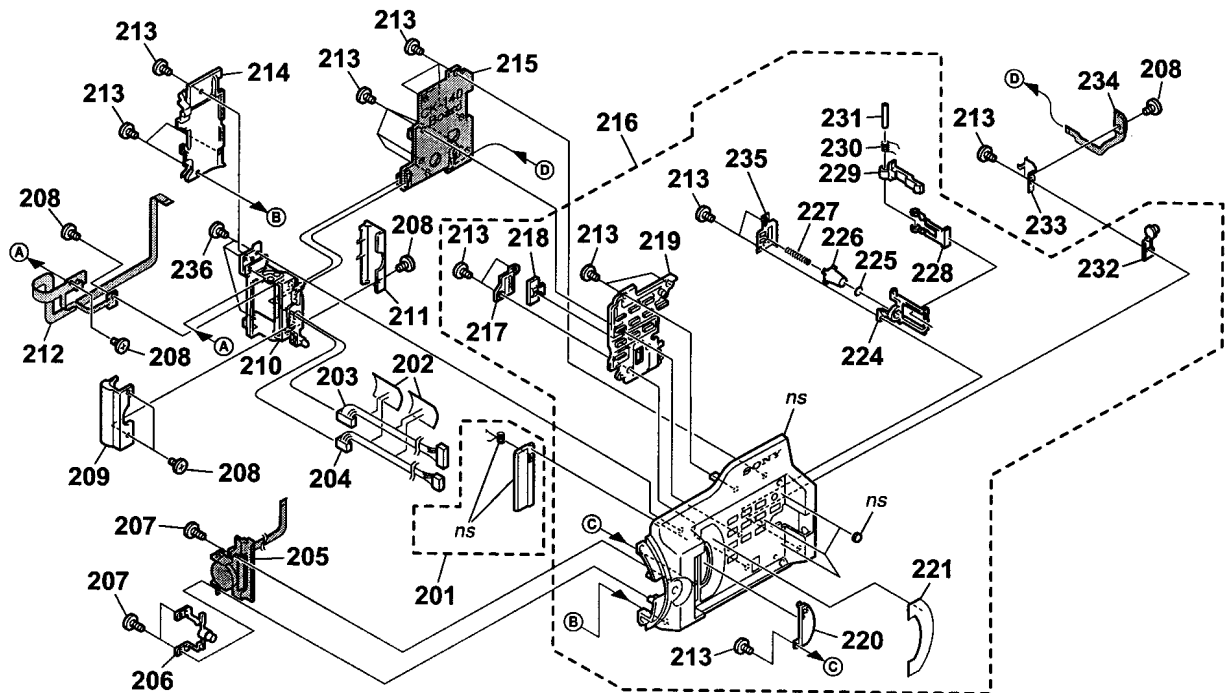
Ref. No.	Part No.	Description
164	1-678-062-21	FP-195 FLEXIBLE BOARD
* 165	3-051-232-01	CLIP, PCB
166	A-7078-956-A	PD-217 BOARD, COMPLETE
167	3-989-735-01	SCREW (M1.7), LOCK ACE, P2
168	X-3953-909-1	CABINET (M) ASSY, P
169	3-060-704-01	SHEET (N), BL SHIELD
170	3-061-510-01	PAD (UPPER), PD
* 171	3-062-196-01	SHEET, BL INSULATING
* 172	3-063-148-01	FOAM (SMALL), DUST PROTECTION
LCD901	8-753-209-13	ACX500ENA-J
LCD902	A-7095-909-A	PANEL BLOCK ASSY, INDICATION
△ ND901	1-517-931-21	TUBE, FLUORESCENT,COLD CATHODE
SP901	1-505-862-81	SPEAKER (2.0 CM)

<p>Note : The components identified by mark △ or dotted line with mark △ are critical for safety. Replace only with part number specified.</p>	<p>Note : Les composants identifiés par une marque △ sont critiques pour la sécurité. Ne les remplacer que par une pièce portant le numéro spécifié.</p>
---	---

5. REPAIR PARTS LIST

5-1-5. CABINET (R) SECTION-2

ns : not supplied

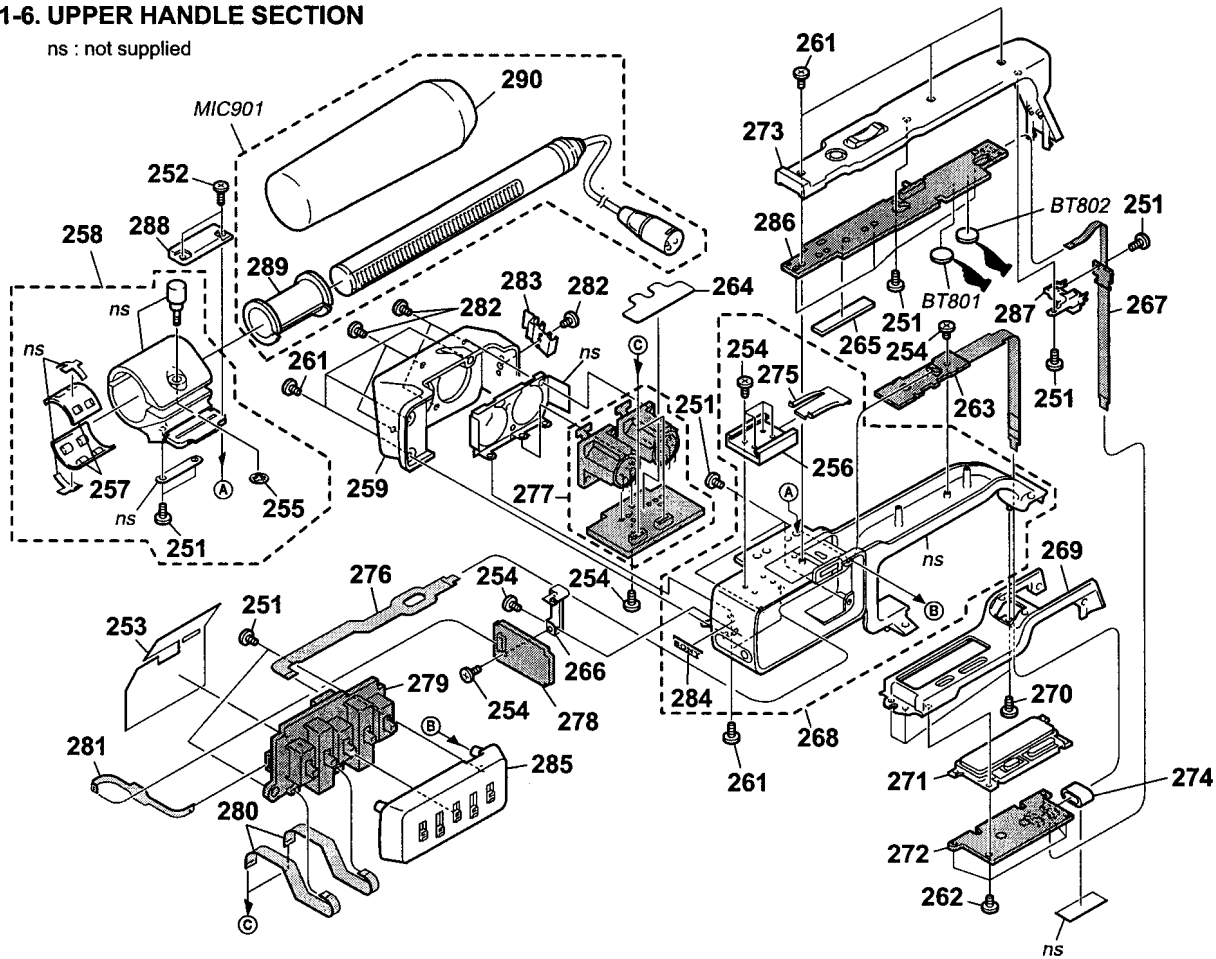



Ref. No.	Part No.	Description	Ref. No.	Part No.	Description
201	X-3950-599-1	DOOR (D) ASSY, BLIND	218	3-060-644-11	KNOB, ZEBRA
202	3-060-795-01	TAPE, HARNESS FIXED	219	3-060-636-11	BUTTON, R
203	1-960-558-11	HARNESS (CP-094) 14P	220	3-060-637-11	GRILLE, SPEAKER
204	1-960-557-11	HARNESS (CP-093) 8P	221	3-060-639-11	SHEET, PROTECTION
205	1-476-183-11	SWITCH BLOCK, CONTROL (ED-4980)	224	3-060-630-11	BASE, PANEL LOCK
206	3-060-689-01	BUTTON, BRIGHT	225	3-060-641-02	PAD, PANEL (POP) UP
207	3-053-121-21	BOLT (M2), SPRING	226	3-060-632-11	UP, PANEL (POP)
208	3-989-735-01	SCREW (M1.7), LOCK ACE, P2	227	3-060-633-01	SPRING, COMPRESSION
209	3-060-693-11	COVER (FRONT), HINGE	228	3-060-638-01	KNOB, PANEL LOCK
210	X-3950-576-4	HINGE ASSY	229	3-060-643-11	CLAW, PANEL LOCK
211	3-060-694-11	COVER (REAR), HINGE	230	3-060-634-01	SPRING, PANEL LOCK
212	1-678-064-31	FP-197 FLEXIBLE BOARD	231	3-060-635-01	SHAFT, PANEL LOCK
213	3-080-202-21	SCREW(M2),LOCK ACE,P2	232	3-060-642-01	BUTTON, MENU
* 214	3-060-690-01	LID, HINGE	* 233	3-060-691-01	BRACKET, MENU BUTTON
215	A-7078-940-A	CK-140 BOARD, COMPLETE	234	1-678-061-31	FP-194 FLEXIBLE BOARD
216	X-3953-999-1	CABINET (R) (D) ASSY	* 235	3-060-631-01	BRACKET, PANEL LOCK
* 217	3-060-640-01	COVER, ZEBRA KNOB	236	3-053-121-11	BOLT (M2), SPRING

5. REPAIR PARTS LIST

5-1-6. UPPER HANDLE SECTION

ns : not supplied



 : BT801, BT802 (Lithium battery) XZ-003 board on the mount position. (See page 4-120)

CAUTION :
 Danger of explosion if battery is incorrectly replaced.
 Replace only with the same or equivalent type.

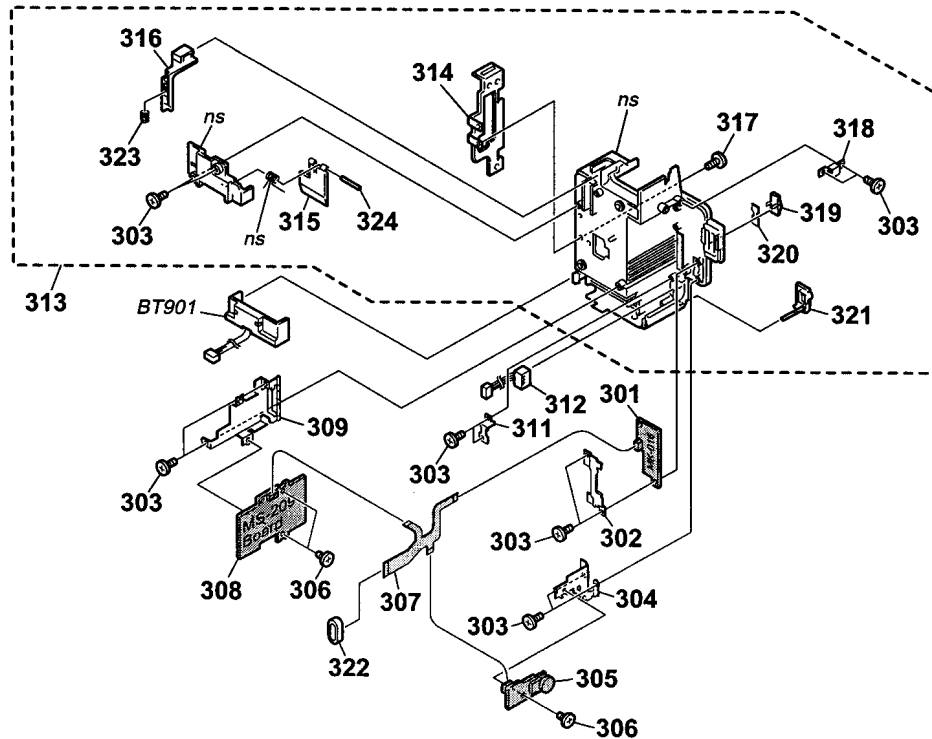
Ref. No.	Part No.	Description
251	3-080-205-21	SCREW,TAPPING,P2
252	7-682-549-09	SCREW +B 3X10
* 253	3-060-814-01	INSULATED PLATE, SW
254	3-080-202-21	SCREW(M2),LOCK ACE,P2
255	3-165-904-01	WASHER, SCREW STOPPER
256	3-069-286-01	SHOE, ACCESSORY
257	3-608-303-01	RUBBER
258	X-3953-997-1	HOLDER ASSY, MICROPHONE
259	3-060-813-11	CABINET (R), HANDLE
261	3-080-203-41	SREW(M2),LOCK ACE,P2
262	3-053-121-11	BOLT (M2), SPRING
263	A-7078-959-A	MA-430D BOARD, COMPLETE
* 264	3-063-408-01	SHEET, XLR
265	3-088-406-01	SHEET (G), ABSORBING
* 266	3-060-815-01	BRACKET, DD
267	A-7078-955-A	RM-091 BOARD, COMPLETE
268	X-3953-995-1	HANDLE (D) ASSY
269	3-060-786-31	CABINET (UPPER)
270	3-053-121-21	BOLT (M2), SPRING
271	X-3950-600-1	FRAME (D) ASSY, FK

Ref. No.	Part No.	Description
272	A-7078-942-A	FK-088 BOARD, COMPLETE
273	X-3953-994-1	COVER (D) ASSY, HANDLE
274	1-469-829-11	CORE, FERRITE
275	3-688-754-11	SPRING
276	1-861-006-11	FP-897 FLEXIBLE BOARD
277	A-7078-961-A	XM-005 BOARD, COMPLETE
278	A-7078-960-A	XD-003 BOARD, COMPLETE
279	A-7078-962-A	XS-004 BOARD, COMPLETE
280	1-678-052-11	FP-217 FLEXIBLE BOARD
281	1-678-053-11	FP-218 FLEXIBLE BOARD
282	3-061-062-11	BOLT (M2.6)
283	3-087-942-01	HOLDER (2 GANG), CABLE
284	3-969-037-02	EMBLEM (NO.3), SONY
285	X-3953-996-1	CABINET (L) ASSY, HANDLE
286	A-7078-963-A	XZ-003 BOARD, COMPLETE
287	X-3953-946-1	HOLDER ASSY, RM FIXED
288	3-064-629-01	RETAINER (UPPER) D, HOLDER
* 289	3-179-882-01	SPACER, MICROPHONE
290	3-048-481-01	SCREEN, WIND
MIC901	8-814-298-90	MICROPHONE ECM-NV1

5. REPAIR PARTS LIST

5-1-7. BATTERY PANEL SECTION

ns : not supplied



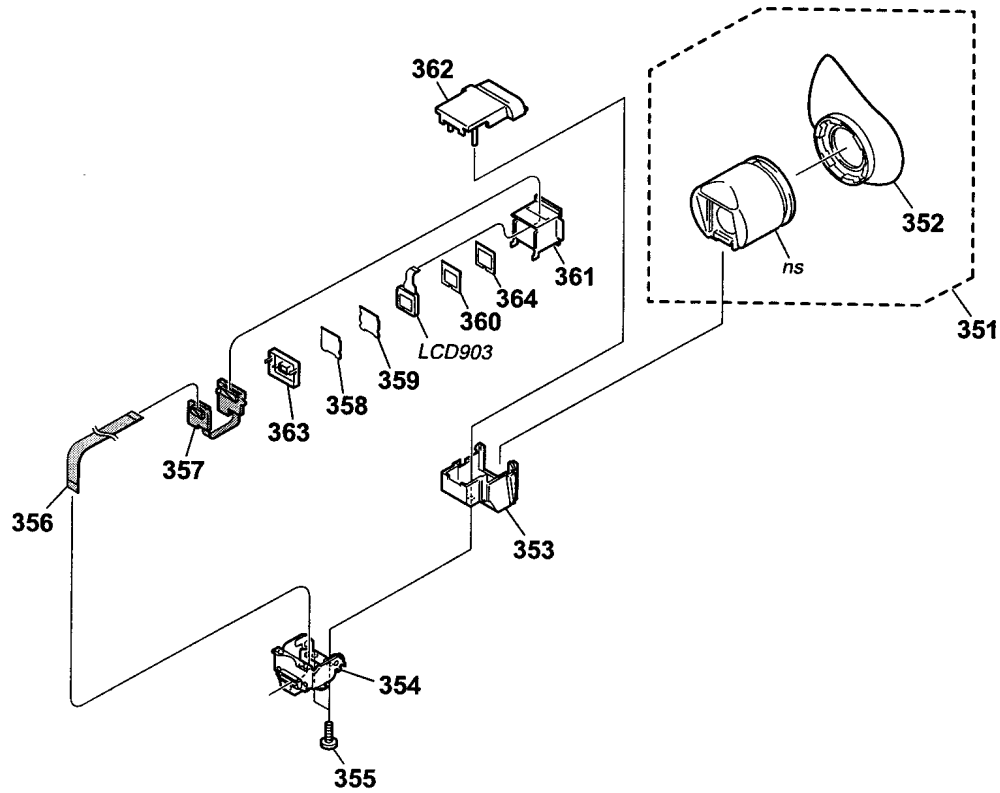
Ref. No.	Part No.	Description
301	A-7078-948-A	MK-016 BOARD, COMPLETE
* 302	3-060-678-01	RETAINER, MK
303	3-080-205-21	SCREW,TAPPING,P2
* 304	3-060-679-01	HOLDER, KP
305	A-7078-945-A	KP-013 BOARD, COMPLETE
306	3-080-202-21	SCREW(M2),LOCK ACE,P2
307	1-678-058-21	FP-190 FLEXIBLE BOARD
308	A-7078-949-A	MS-209 BOARD, COMPLETE
309	X-3950-589-1	HOLDER ASSY, MS
* 311	3-060-680-01	RETAINER, DC JACK
312	1-794-637-21	CONNECTOR, DC-IN
313	X-3953-998-1	PANEL (D) ASSY, BATTERY

Ref. No.	Part No.	Description
314	3-060-592-01	BRACKET (R), S BELT
315	3-060-595-01	CLAW, BT LOCK
316	3-060-594-11	LEVER, BT RELEASE
317	3-080-203-41	SREW(M2),LOCK ACE,P2
* 318	3-060-774-01	JOINT, BT-R
319	3-060-598-01	BUTTON, AL
320	3-060-776-01	SHEET, AL
321	3-060-773-11	COVER, DC JACK
322	1-469-829-11	CORE, FERRITE
323	3-968-771-01	SPRING, COMPRESSION
324	3-968-770-01	SHAFT, BT
BT901	1-694-411-11	TERMINAL BOARD, BATTERY

5. REPAIR PARTS LIST

5-1-8. EVF SECTION

ns : not supplied



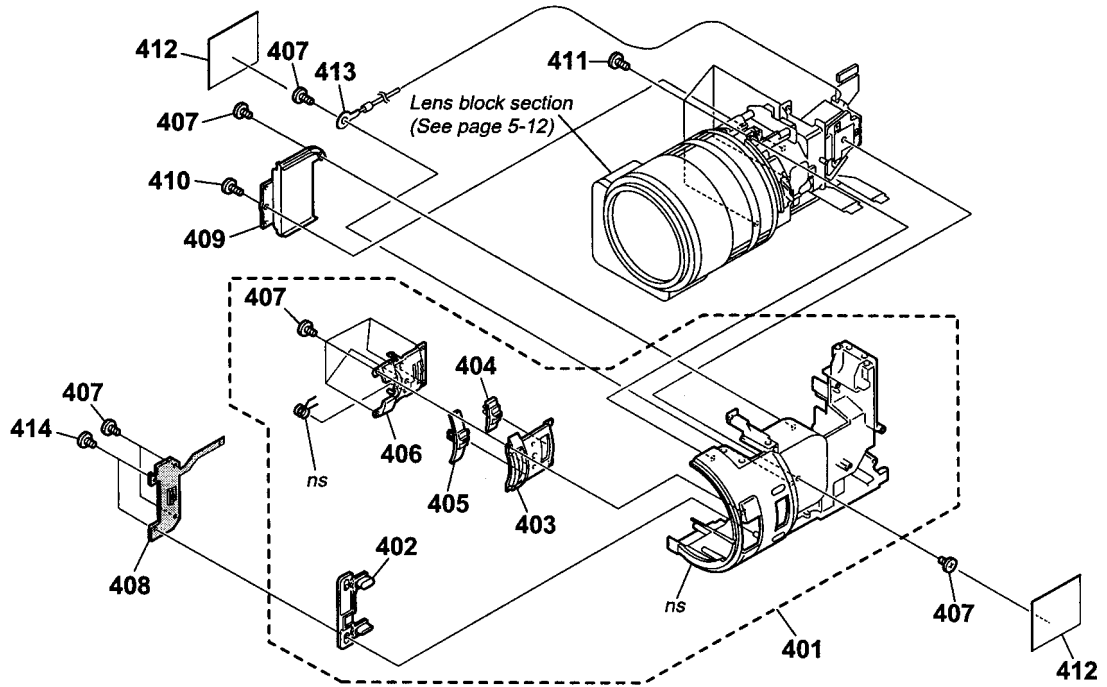
Ref. No.	Part No.	Description
351	X-3953-896-1	CABINET ASSY, VF (REAR)
352	3-087-515-01	EYE CUP
353	X-3953-895-1	CABINET (LOWER) ASSY,VF(FRONT)
354	X-3950-565-1	HINGE ASSY, VF
355	3-080-204-51	SCREW, TAPPING, P2
356	1-678-060-21	FP-193 FLEXIBLE BOARD
357	A-7078-958-A	LB-100D BOARD, COMPLETE
358	3-072-211-01	ILLUMINATOR

Ref. No.	Part No.	Description
359	3-072-210-01	SHEET, PRISM
360	3-087-530-01	SHEET, LIGHT INTERCEPTION
361	X-3953-897-1	HOLDER ASSY, LCD
362	3-087-528-01	CABINET (UPPER), VF (FRONT)
363	3-072-214-01	GUIDE (20), LAMP
364	3-087-529-01	CUSHION, LCD
LCD903	8-753-036-73	LCX033APA-1

5. REPAIR PARTS LIST

5-1-9. CENTER FRAME SECTION

ns : not supplied



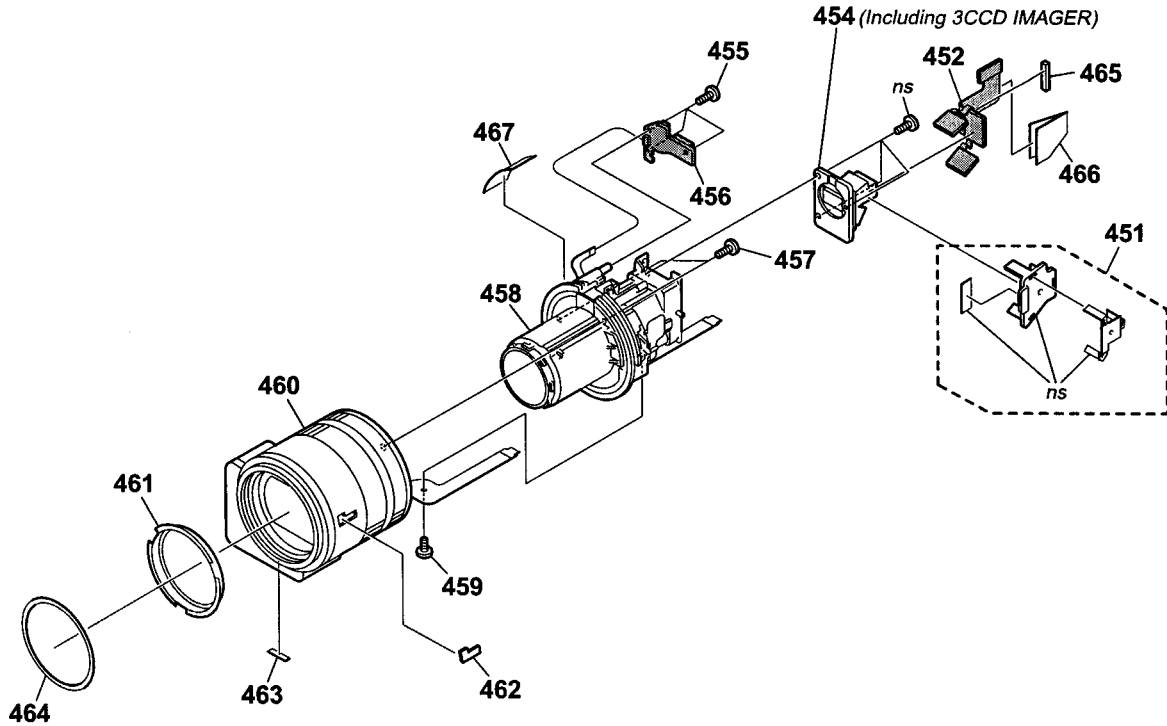
Ref. No.	Part No.	Description
401	X-3954-001-1	FRAME (D) ASSY, CENTER
402	3-060-620-01	BUTTON, IP
403	3-060-621-11	ESCUTCHEON
404	3-060-622-01	KNOB, MF
405	3-060-619-01	KNOB, ND
406	3-060-623-01	COVER, BUTTON
407	3-080-202-21	SCREW(M2),LOCK ACE,P2

Ref. No.	Part No.	Description
408	1-678-056-31	FP-188 FLEXIBLE BOARD
409	3-060-685-01	COVER, CCD
410	3-080-205-21	SCREW,TAPPING,P2
411	3-072-453-01	O PLATE +P2 MAIN M2EG GRIP
412	3-060-795-01	TAPE, HARNESS FIXED
413	1-960-654-21	HARNESS (CJ-064)
414	3-080-203-31	SREW(M2),LOCK ACE,P2

5. REPAIR PARTS LIST

5-1-10. LENS BLOCK SECTION

ns : not supplied



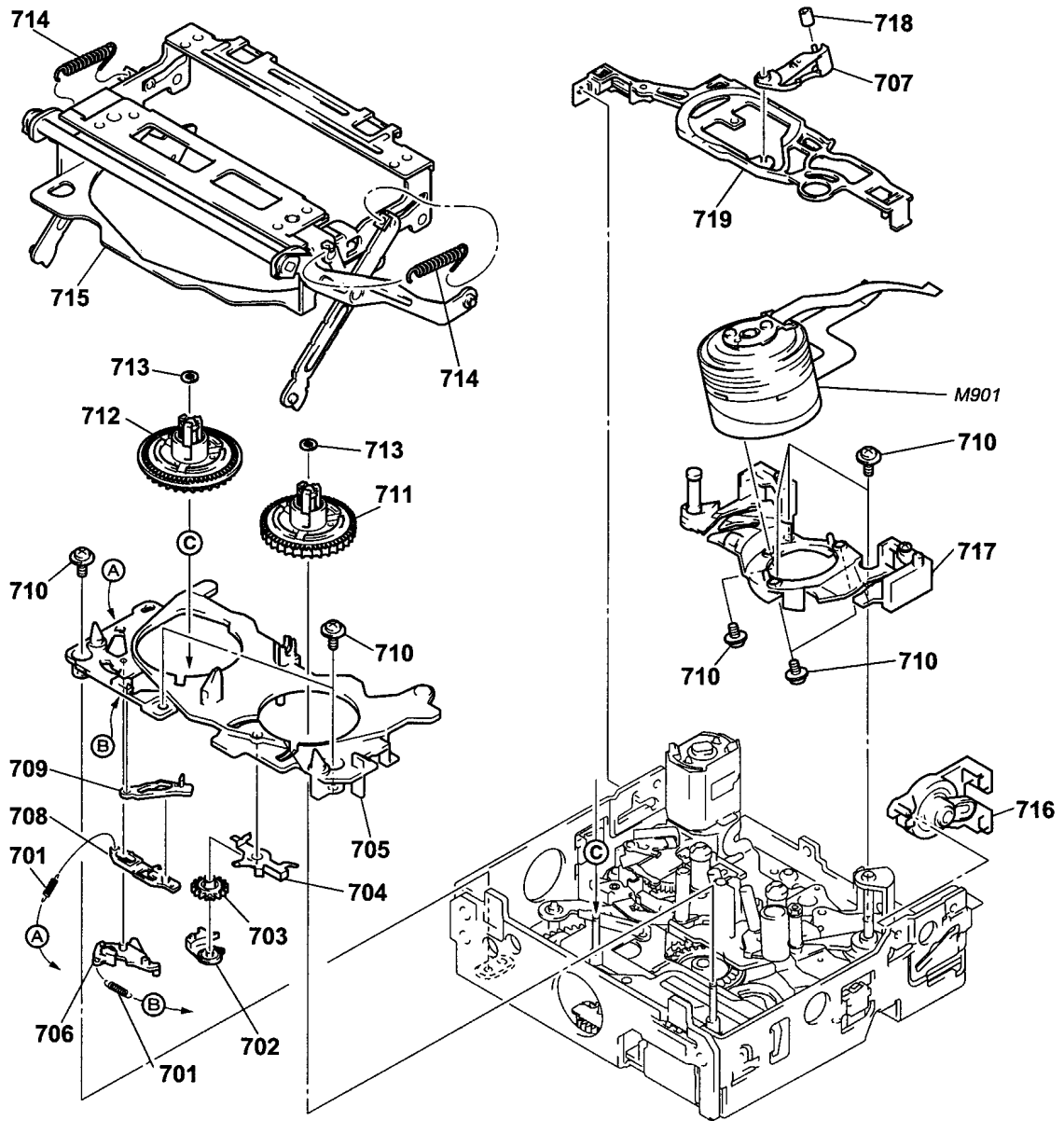
Be sure to read "Precautions upon replacing CCD imager" on page 4-12 when changing the CCD imager.

Ref. No.	Part No.	Description
451	X-3950-586-1	COVER ASSY, PRISM
452	A-7078-938-A	CD-512 BOARD, COMPLETE
454	A-7031-100-A	PRISM ASSY (SERVICE) (INCLUDING 3CCD IMAGER) (PD170)
454	A-7031-101-A	PRISM ASSY (SERVICE) (INCLUDING 3CCD IMAGER) (PD170P/PD190P)
455	3-080-205-21	SCREW,TAPPING,P2
456	A-7078-950-A	SE-147 BOARD, COMPLETE
457	3-948-339-31	SCREW, TAPPING P2
458	3-709-596-01	LENS ASSY, ZOOM

Ref. No.	Part No.	Description
459	3-713-791-91	SCREW (M1.7)
460	3-709-595-41	VAP ASSY (B114A)
461	3-709-594-01	RING ASSY, GLASS ORNAMENTAL
462	3-963-933-01	EMBLEM, CCD
463	3-062-454-01	FOOT (A), RUBBER
464	3-060-681-01	RING, NAME
* 465	3-053-354-01	CUSHION, CD FLEXIBLE
* 466	3-062-778-01	SHEET (CD)
467	3-060-795-01	TAPE, HARNESS FIXED

5. REPAIR PARTS LIST

5-1-11. CASSETTE COMPARTMENT, DRUM AND REEL TABLE ASSEMBLY

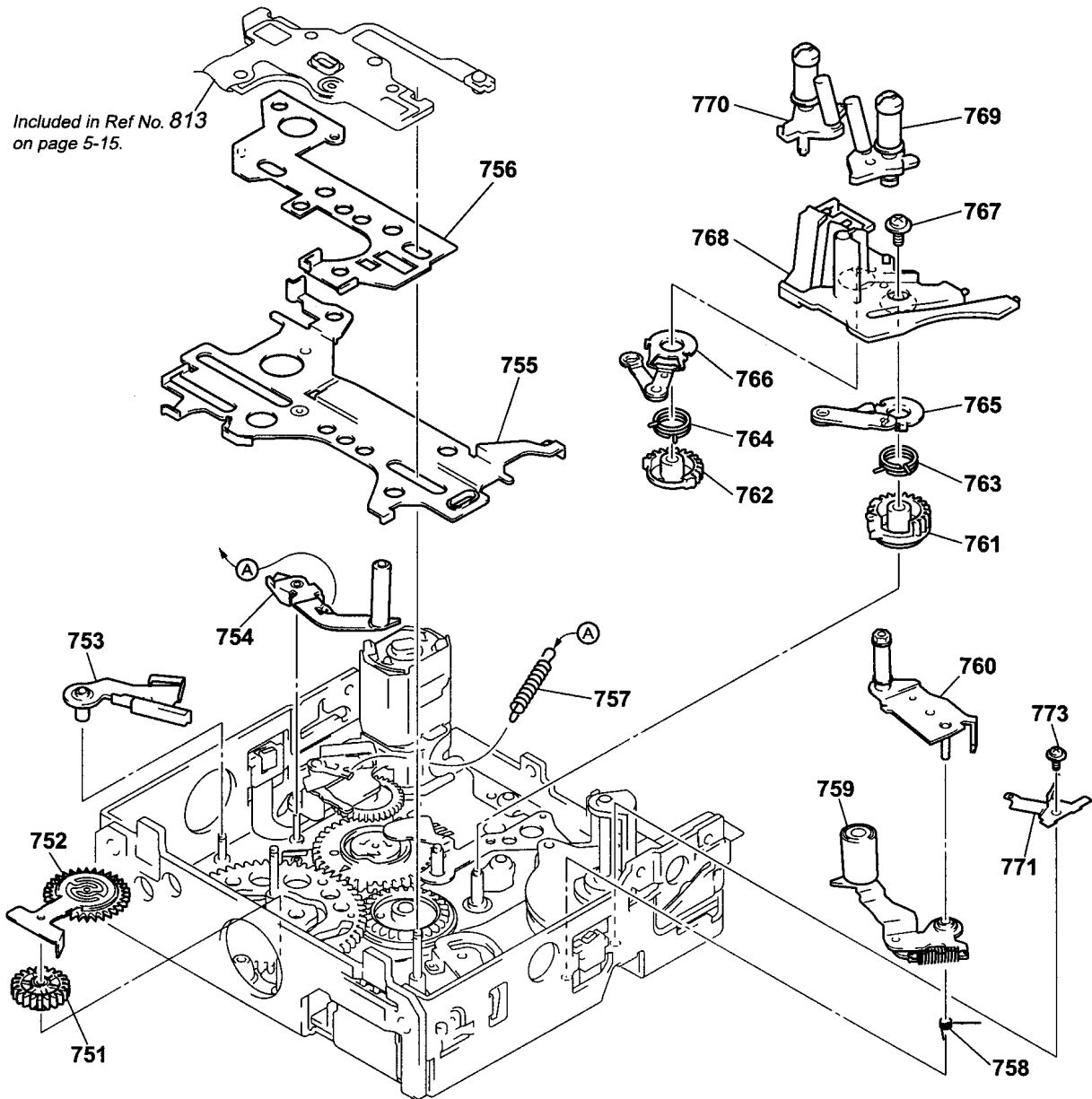


Ref. No.	Part No.	Description
701	3-988-312-01	SPRING, EXTENSION
702	3-988-220-01	BRAKE (T)
703	3-988-221-01	GEAR (T), BRAKE
704	3-988-222-01	SPRING (T), BRAKE
705	3-988-215-02	BASE, CASSETTE
706	3-988-217-01	ARM (S), RESET
707	3-988-281-02	ARM, HC
708	3-988-219-01	RACK (S), BRAKE
709	3-988-218-01	BRAKE (S)
710	3-947-503-01	SCREW (M1.4)

Ref. No.	Part No.	Description
711	X-3948-445-7	TABLE (T) ASSY, REEL
712	X-3948-444-1	TABLE (S) ASSY, REEL
713	3-989-465-01	WASHER, STOPPER
714	3-988-298-01	SPRING EXTENSION
715	X-3948-441-9	CASSETTE COMPARTMENT ASSY
716	X-3948-443-2	DAMPER ASSY
717	A-7093-612-A	DRUM BASE BLOCK ASSY
718	3-988-282-01	ROLLER, HC
719	3-988-283-01	STOPPER, TAPE FALL
M901	A-4900-081-A	DRUM (DEH-14B/J-RP) (SERVICE)

5. REPAIR PARTS LIST

5-1-12. TAPE GUIDE, PINCH SLIDER ASSEMBLY AND BRAKE SLIDER ASSEMBLY



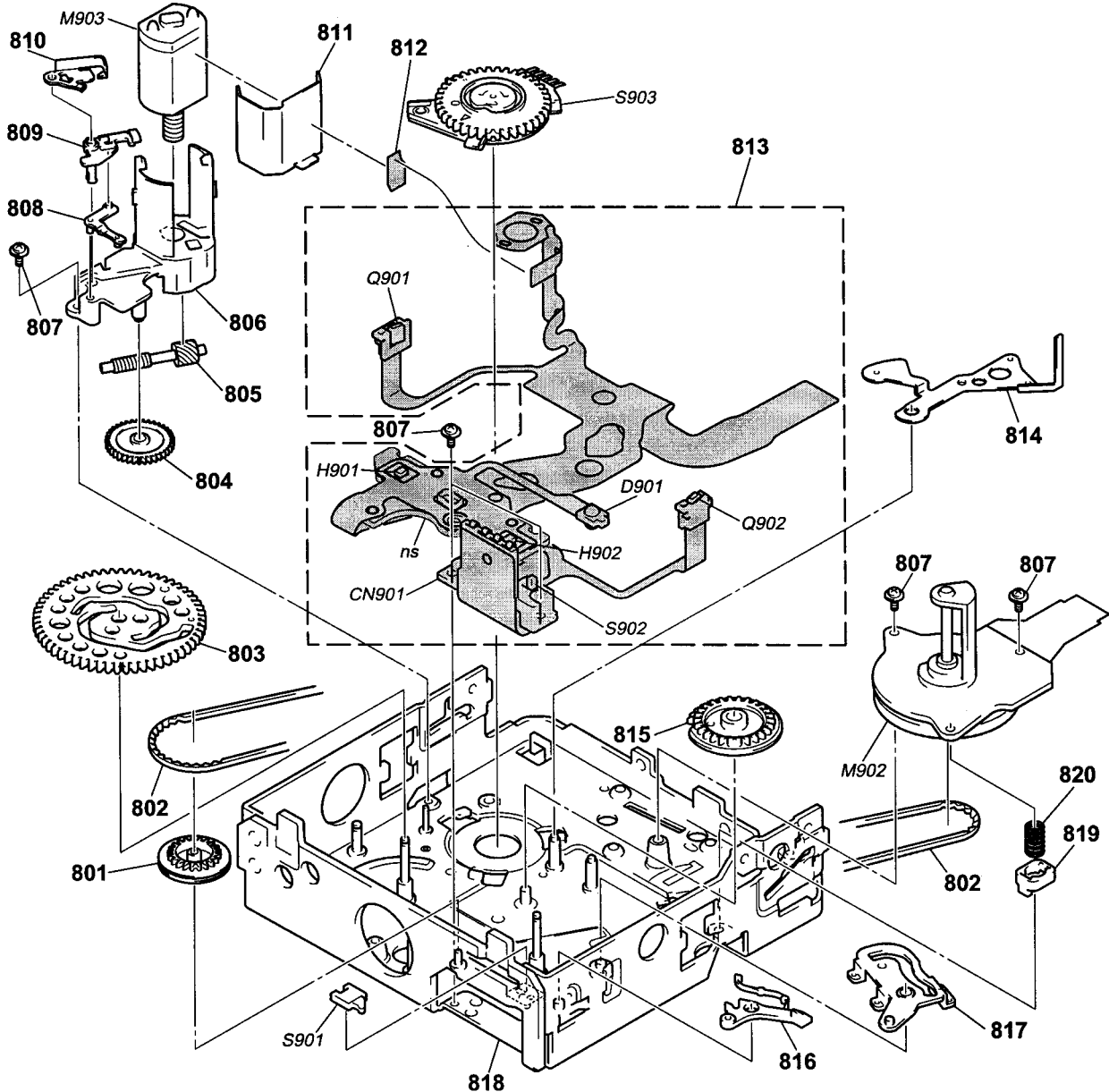
Ref. No.	Part No.	Description
751	3-988-263-01	GEAR, RELAY
752	X-3948-442-2	GEAR ASSY, GOOSENECK
753	X-3948-435-2	PLATE ASSY, TG1 ADJUSTMENT
754	X-3948-434-1	ARM ASSY, TG1
755	X-3948-428-5	SLIDER ASSY, PINCH
756	X-3948-766-1	SLIDER ASSY, BRAKE
757	3-988-270-01	SPRING (TG1), TENSION COIL
758	3-988-233-01	SPRING (TG7LD), TORSION
759	X-3948-433-2	ARM ASSY, PINCH
760	A-7093-501-A	ARM BLOCK ASSY, TG7
761	3-988-257-02	GEAR (T), GL

Ref. No.	Part No.	Description
762	3-988-252-03	GEAR (S), GL
763	3-988-258-01	SPRING (GLT), TORSION
764	3-988-253-01	SPRING (GLS), TORSION
765	X-3948-440-1	ARM (T) ASSY, GL
766	X-3948-439-3	ARM (S) ASSY, GL
767	3-947-503-01	SCREW (M1.4)
768	3-988-242-01	RAIL, GUIDE
769	X-3948-438-3	COASTER (T) ASSY
770	X-3948-934-4	COASTER (S2) ASSY
771	3-988-690-02	SPRING, TG7 RETAINER
773	3-053-083-01	SCREW

5. REPAIR PARTS LIST

5-1-13. EACH GEARS AND LOADING/CAPSTAN MOTOR ASSEMBLY

ns : not supplied



Ref. No.	Part No.	Description
801	3-988-274-01	PULLEY, CONVERSION
802	3-988-276-02	BELT, TIMING
803	3-988-216-01	GEAR, CAM
804	3-988-211-01	GEAR, DECELERATION
805	3-988-210-01	SHAFT, WORM
806	3-988-207-01	HOLDER, MOTOR
807	3-947-503-01	SCREW (M1.4)
808	3-988-303-01	ARM, SPRING HOOK DRIVING
809	3-988-271-01	BASE, SPRING HOOK FULCRUM
810	3-988-302-01	HOOK, TG1 SPRING
811	3-988-208-01	SHIELD, MOTOR
812	1-657-785-11	FP-248 FLEXIBLE BOARD (DEW SENSOR)
813	A-7073-418-A	FP-594 FLEXIBLE BOARD, COMPLETE
814	3-988-280-03	ARM, HC DRIVING
815	3-988-239-01	GEAR, GL DRIVING
816	3-988-223-01	ARM, EJECT

Ref. No.	Part No.	Description
817	3-988-224-01	ARM, PINCH PRESS
818	X-3948-431-2	CHASSIS ASSY
819	3-050-170-01	HOLDER
820	3-051-787-02	SPRING (CAP), COMPRESSION COIL
CN901	1-784-723-11	PIN, CONNECTOR 4P
D901	8-719-067-13	DIODE GL453K
H901	8-719-061-28	DIODE HW-105C-FT-V (S REEL)
H902	8-719-061-28	DIODE HW-105C-FT-V (T REEL)
Q901	6-600-109-01	PHOTO TRANSISTOR PT4800FB (TAPE END)
Q902	6-600-109-01	PHOTO TRANSISTOR PT4800FB (TAPE TOP)
S901	1-771-039-51	SWITCH, PUSH (REC PROOF)
S902	1-572-719-32	SWITCH, PUSH (1 KEY) (C IN)
S903	1-771-325-11	ENCODER, ROTARY (SWITCH) (MODE)
M902	8-835-606-01	MOTOR, DC SCD15A/C-NP (CAPSTAN)
M903	X-3948-346-1	MOTOR ASSY, L (LOADING)