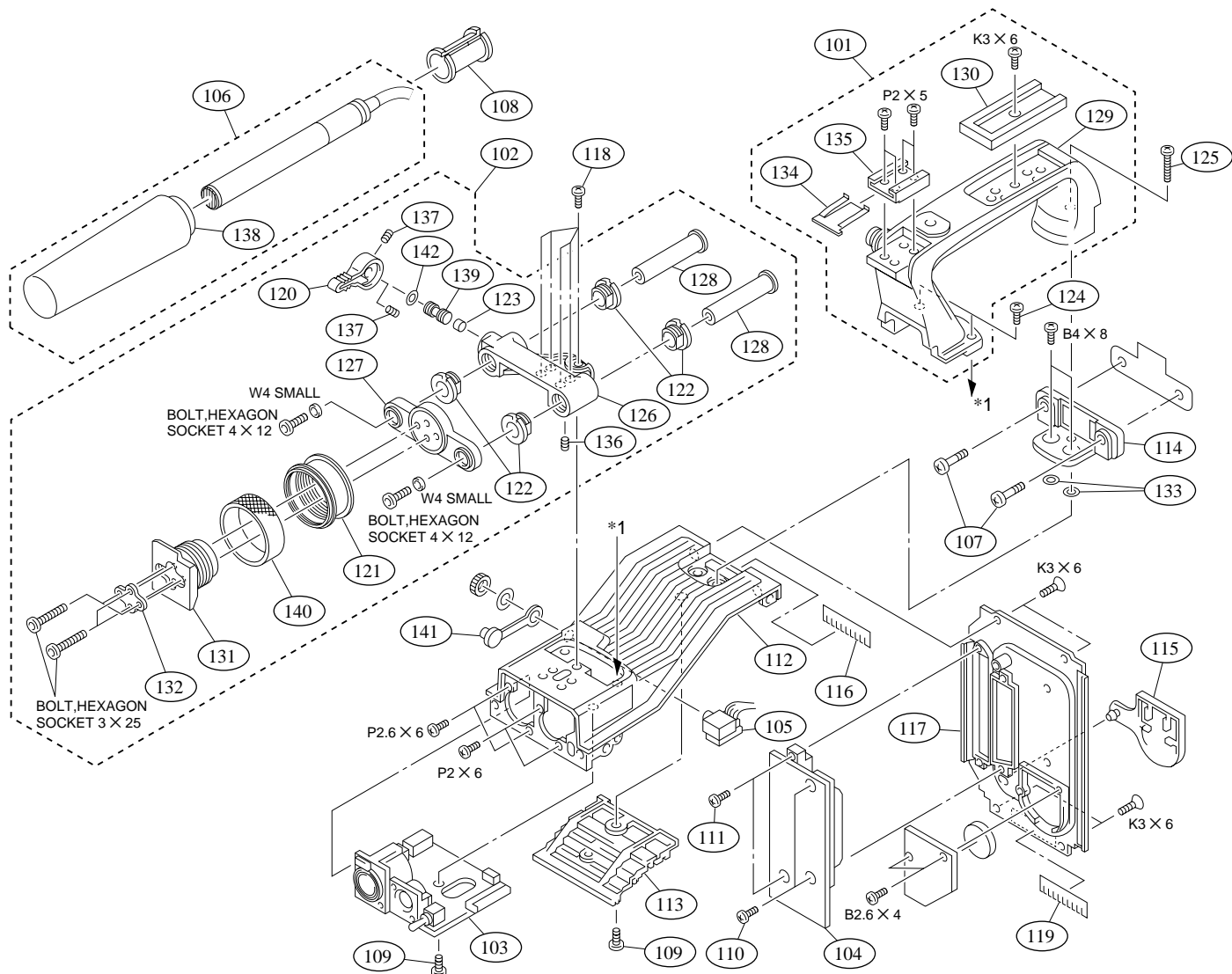


HANDLE BLOCK (1) AND MICROPHONE



No.	Part No.	SP Description
101	A-8278-380-A	s HANDLE ASSY
102	A-8278-420-A	o VF SLIDE ASSY(5)
103	A-8311-118-A	o MOUNTED CIRCUIT BOARD, CN-1195
104	A-8311-134-A	o MOUNTED CIRCUIT BOARD, CN-1294
105	A-8311-136-A	o MOUNTED CIRCUIT BOARD, CN-1349
106	1-542-296-11	o MICROPHONE
107	3-175-715-02	s SCREW, FITTING ADAPTOR
108	3-179-882-01	o SPACER, MICROPHONE
109	3-370-475-21	s SCREW (NYLOCK +B 3X6)
110	3-603-959-01	s NYLOK SCREW +B2.6
111	3-603-960-01	s NYLOK SCREW +B2
112	3-604-363-02	o CHASSIS, TOP
113	3-604-370-01	o PB RAIL, UPPER
114	3-604-387-01	o SPACER, HANDLE
115	3-604-393-01	s COVER, BATTERY
116	3-604-394-01	o FINGER, SHIELD(A)
117	3-604-407-02	o CHASSIS, REAR
118	3-604-408-01	s BOLT, HEXAGON SOCKET(NYLOCK 4X10)
119	3-604-451-01	o FINGER, SHIELD(C)
120	3-673-046-00	s LEVER, LOCK
121	3-679-543-11	o RING(D), LOCK
122	3-679-684-01	o REST, ARM
123	3-679-702-01	o CUSION, STOPPER
124	3-685-694-01	s NYLOCK +PSW M4X12
125	3-685-694-21	s NYLOCK +PSW M4X18

No.	Part No.	SP Description
126	3-686-195-11	o SLIDE BASE, VF
127	3-686-196-02	o RETAINER, VF SHOE
128	3-686-197-01	o ARM, SLIDE
129	3-686-253-03	o HANDLE
130	3-686-254-01	o PLATE, BLIND
131	3-686-261-03	s SHOE3, VF SLIDE
132	3-687-070-01	o WASHER, SHOE
133	3-687-116-01	o WASHER(4), STOPPER
134	3-688-754-11	s SPRING, SHOE
135	3-688-755-11	s SHOE, ACCESSORY
136	3-701-506-01	s SET SCREW, DOUBLE POINT 3X4
137	3-701-508-00	s SET SCREW, DOUBLE POINT 3X6
138	3-709-096-01	o SCREEN, WIND
139	3-711-794-01	o PIN, STOPPER
140	3-720-919-01	o RUBBER, LOCK RING
141	3-849-405-00	s COVER, EARPHONE JACK
142	3-895-622-01	s RING (DIA. 5), O
	7-621-255-35	s SCREW +P 2X5
	7-621-259-45	s SCREW +P 2.6X6
	7-621-772-38	s SCREW +B 2X6
	7-621-773-86	s SCREW +B 2.6X4
	7-682-247-09	s SCREW +K 3X6
	7-682-561-04	s SCREW +B 4X8
	7-683-411-04	s BOLT, HEXAGON SOCKET 3X25
	7-683-421-04	o BOLT, HEXAGON SOCKET 4X12
	7-688-003-02	s WASHER 3, SMALL
	7-688-004-02	o WASHER 4, SMALL