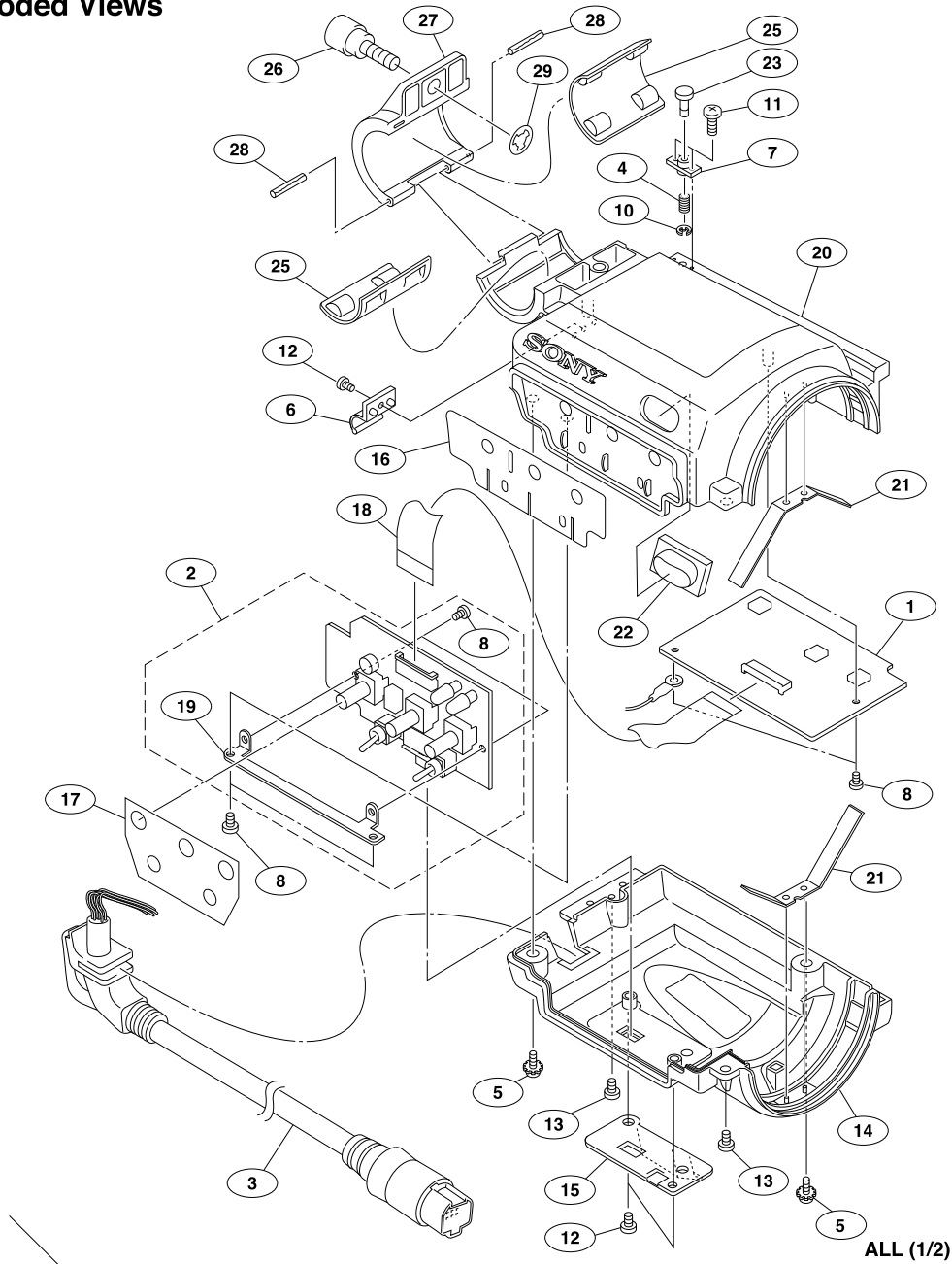


Exploded views

3-2. Exploded Views



No.	Part No.	SP Description	No.	Part No.	SP Description
ALL	A-8279-329-C	s DXF-801 (UCJ)	14	9-885-000-94	o CASE, BOTTOM
ALL	A-8279-330-D	s DXF-801CE (CE)	15	9-885-006-15	s CLAMP, CABLE
1	1-865-247-11	s MOUNTED CIRCUIT BOARD, VF-76	16	9-885-000-96	o LABEL, VF
2	1-865-248-11	s MOUNTED CIRCUIT BOARD, DF-64	17	9-885-000-97	o PLATE, PARTING
3	1-792-554-14	s CABLE, VF	18	9-885-083-44	s FLEXIBLE FLAT CABLE
4	2-277-466-01	s SPRING, COMPRESSION	19	9-885-000-99	o STAY, BOARD
5	2-430-772-01	s SCREW B3X8	20	9-885-001-60	o TOP CASE/MIC HOLDER ASSY
6	3-678-684-01	s HOLDER, CABLE	21	9-933-326-01	s SPRING, PLATE
7	3-710-008-02	s HOUSING STOPPER	22	9-933-327-01	s COVER, TALLY
8	7-621-773-86	s SCREW B2.6X4	23	9-933-328-01	s KNOB, STOPPER
9			24		
10	7-624-102-04	s STOPRING 1.5, TYPE-E	25	3-608-303-01	s RUBBER
11	7-627-554-18	s SCREW P2X3.5	26	3-633-916-01	s SCREW (M5)
12	7-627-556-38	s SCREW P2.6X4	27	3-679-692-21	s HOLDER, MICROPHONE(B)
13	7-682-547-09	s SCREW B3X6	28	7-627-311-81	s SPRING PIN
			29	3-165-904-01	s WASHER, SCREW STOPPER (PLA)