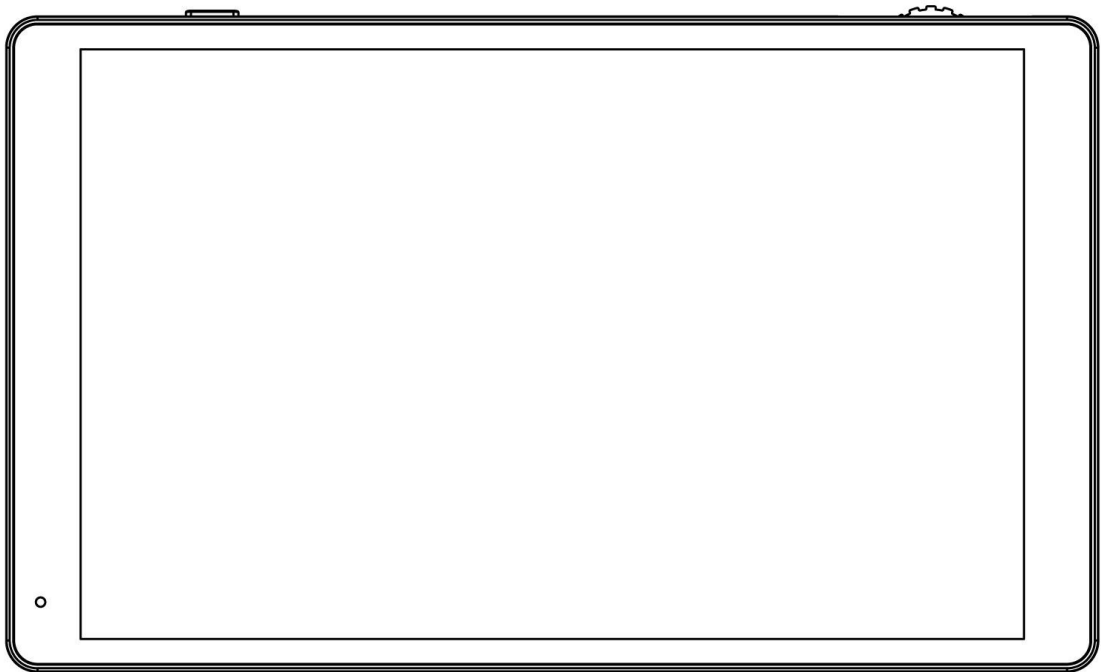


7" Touchscreen Monitor

F970 Install and Power Kit



User Manual

Product Overview

Thank you for purchasing our Full HD color LCD monitor, This monitor has HDMI input and output, auxiliary power output, touch screen menu operation, support user 3D LUT upload, etc. It has small size, simple operation, portable convenience and wide application range. Advanced features include Histogram, Embedded Audio, Focus Assist, False Colors, Over Exposure, Center Marker, Safe Frames, Ratio Marker, Check Field, Image Freeze, Zoom, Anamorphic etc. It is an ideal, portable and lightweight viewfinder and video monitor.

A Sony F970 external install and power kit design is added to the back of the monitor. The external kit can be used to install and install the external equipment, like wireless transmitter, LED light, video converter and others which can be powered by Sony F970 battery. The monitor is equipped with a battery plate; you can use the power adapter supply or use the external battery for power supply.

To insure the best use of the unit, please read the user's manual carefully



CAUTION

- Please avoid the heavy impact and drop onto the ground when move the product.
- The screen of this product is made of glass. Please do not drop the screen towards the ground. Keep away from injury if the screen is broken.

- Keep the product away from the heat source, and avoid the prolonged exposures to the sun as the LCD screen will be damaged.
- To avoid damaging the product, please do not take apart or repair the unit by yourself without the adjustable components in the unit.
- In order to better maintain the LCD screen and protect the cover, please follow the following ways to avoid damages.
 1. Please refrain from using the hard objects to hit the screen.
 2. Please do not force to wipe the screen.
 3. Please do not use the chemical solutions to clean the screen.
 4. Please do not spray any detergent on the screen.
 5. Please do not write on the screen directly.
 6. Please do not stick on the screen.
 7. Please simply wipe with a clean soft cloth and make sure no water on the screen.

Features

- Touch screen menu operation
- Support HDR monitoring
- Support 3D LUT Log to REC.709 and user 3D LUT upload
- 1920x1200 full HD IPS screen
- Sony F970 external install and power kit design can be used to install and supply power to external equipment, easy to install and disassemble, simplify your photography equipment.
- With Waveform, Vectorscope, RGB Histogram, Focus Assist, Monochrome etc. functions, can help you accurately exposure and focus every shot.

- Stereo Earphone output
- DC 8V power out to power your DSLR camera or mirrorless camera
- External sunshade, sunlight readable

CONTENTS

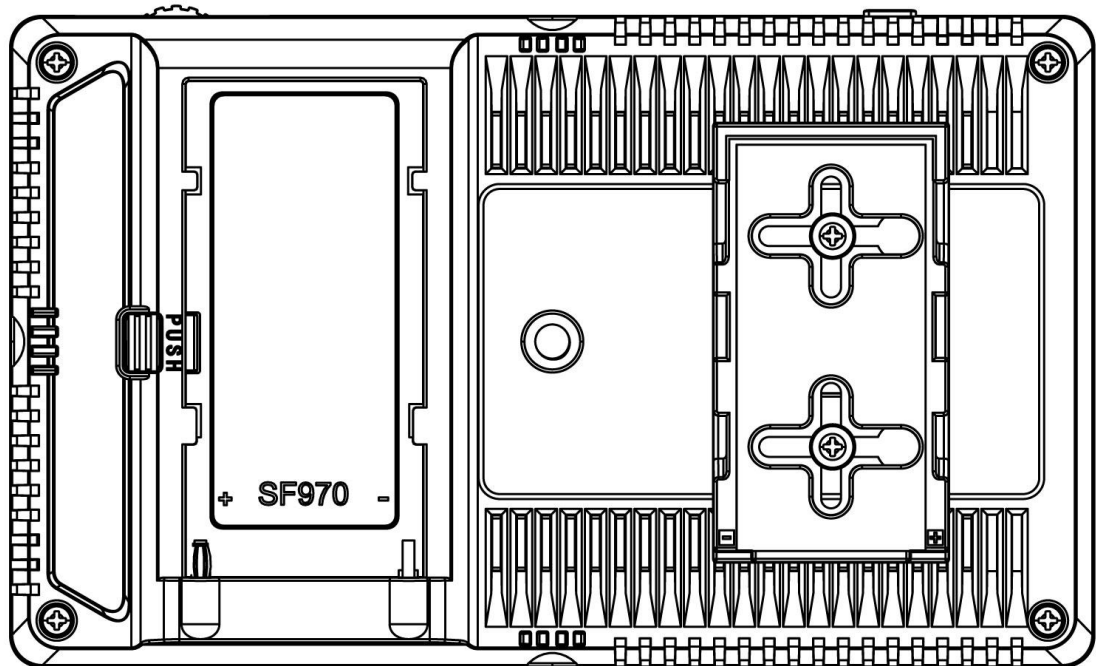
1. Product Description	4
1.1 Button Instruction	5
1.2 Port Instruction (bottom)	5
1.3 Port Instruction (left)	6
1.4 Power Supply Way	7
1.5 Sony F970 Install and Power Kit	7
1.6 Mount Points.....	9
1.7 Sunshade	10
2. Menu Operation Instruction	11
3. Menu Function Instruction	13
4. Technical Parameters	17
5. Trouble Shooting	18

1. Product Description

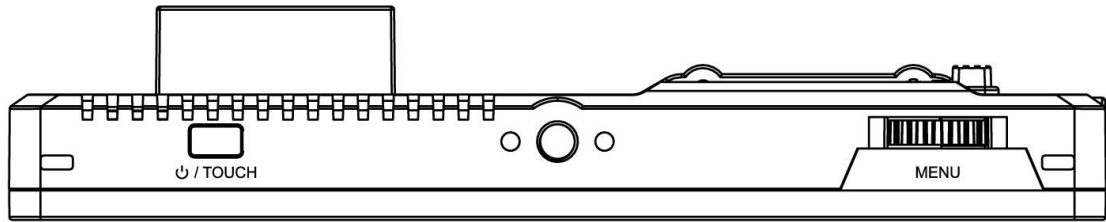
- Front Panel



- Back Panel



1.1 Button Instruction

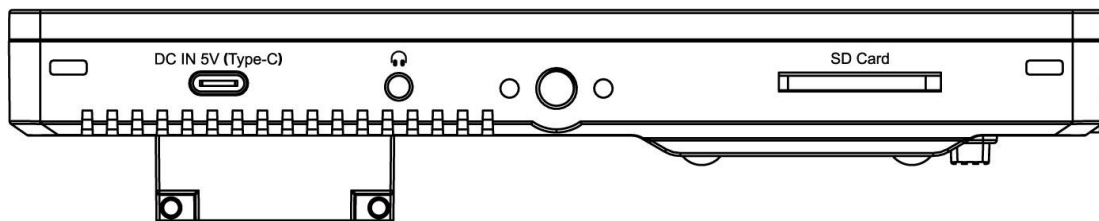


⏻ / TOUCH : Long press to turn on and off the power; short press to turn on and off the screen touch function.

MENU: Long press to open the main menu and short press to open the shortcut menu. Rotate the wheel to select a menu item, press it again to open the corresponding menu function.

(See details: **2.Menu Operation Instruction**)

1.2 Port Instruction (Bottom)

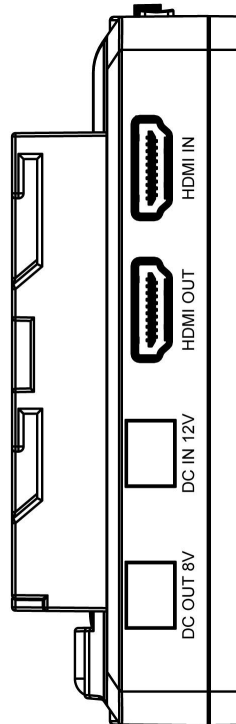


SD Card: SD card slot, 3DLUT upload via SD card and for firmware upgrade

: 3.5mm earphone port output

DC IN 5V (Type-C): Please use 5V/2A or more than 2A Type-C power supply. (Note: This port can be connected to the power bank and is not used for data transmission; it is only used for local power supply and cannot provide loop-out power.)

1.3 Port Instruction (Left)




HDMI IN: 4K HDMI signal input

HDMI OUT: 4K HDMI signal output

DC IN 12V: DC power input, polarity as the input power



DC OUT 8V: DC power output interface, polarity as the output

power 

Barrel output for powering your camera with a separately available DC coupler via adaptor (NP-FW50 Sony & LP-E6 Canon&DMW-BLF19 Panasonic). More adapters coming soon.

1.4 Power Supply Way

(1) The rear cover of the monitor is equipped with F970 battery plate, which is applicable to F970 series of batteries

- **Sony F970 battery plate for battery of Sony DV:**

Sony F970 F960 F950 F930 F770 F750 F730 F570 F550 F530 series.

(2) Barrel (5.5mm outer, 2.1mm inner) at the bottom of the monitor, DC 7~24V Input.

(3) The bottom of the monitor has a Type-C 5V input power port, which can be connected to a power bank.

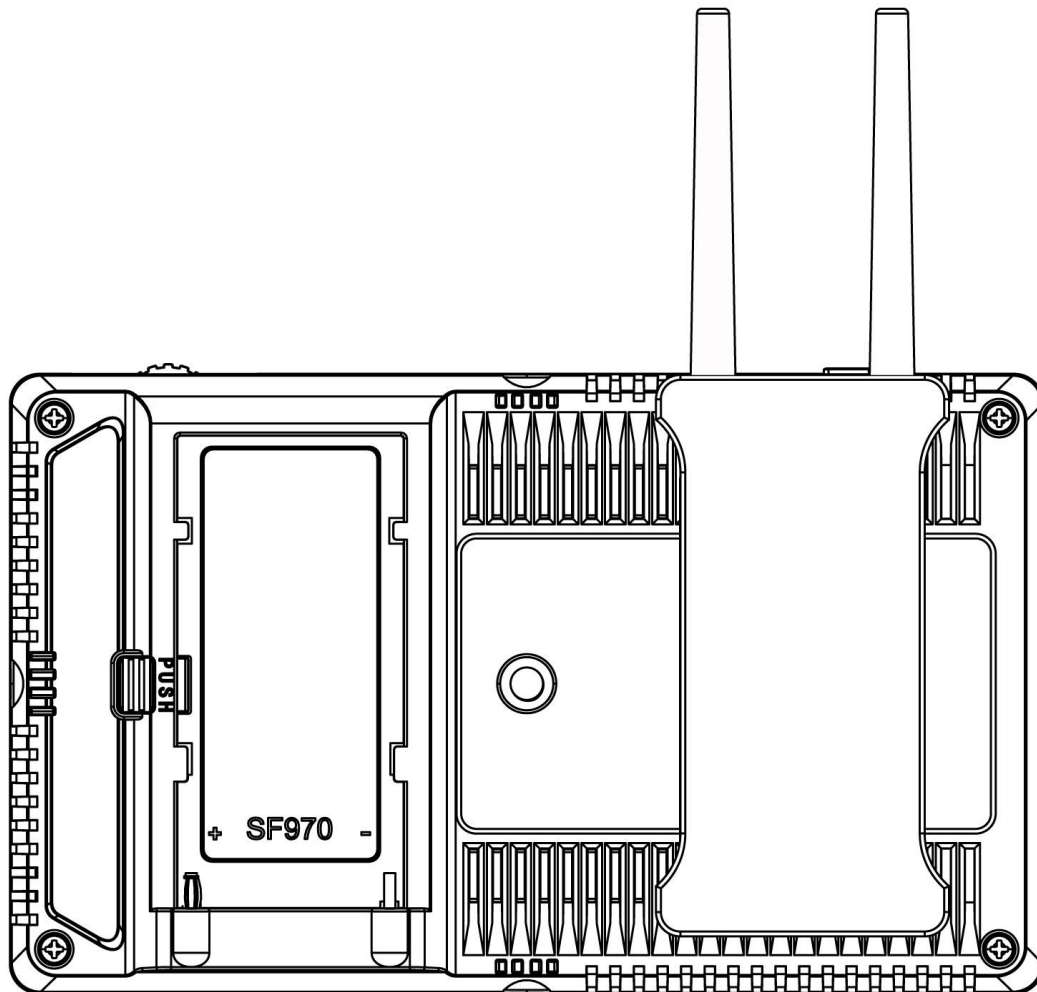
Remark: It is recommended to use standard original F970 batteries. Different specifications of the battery have different capability. The working time for the monitor will be different. Higher capability (working time) will be longer. Please take off the battery from the monitor if you don't use the monitor in a long time.

1.5 Sony F970 Install and Power Kit

A Sony F970 external install and power kit design is added to the back of the monitor. The external kit can be used to install and install the external equipment, like wireless transmitter, LED light, video converter and others which can be powered by Sony F970 battery.

The kit has two cross grooves, you can adjust the position of the external device by loosening 2 screws up and down / left or right, or install the kit upside down. When you don't need the kit, you can loosen the screws and remove the kit.

Note: Before disassembling the kit, make sure that the monitor is turned off, and then remove the battery or power adapter.

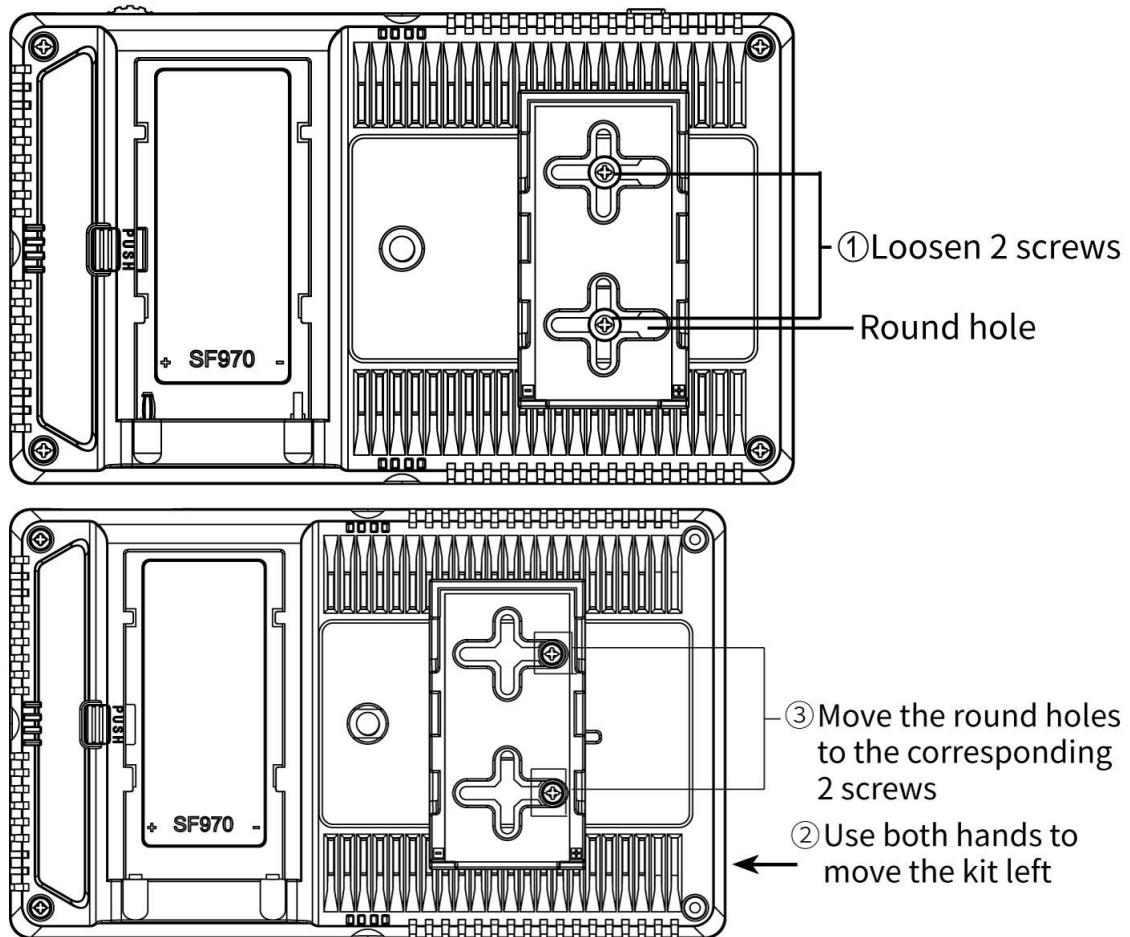


(1) Just move the kit: Loosen 2 screws, and then adjust up / down / left / right.

(2) Steps to remove the kit:

- ①. Loosen the 2 screws.
- ②. Use both hands to move the kit left.
- ③. Move the round holes to the corresponding 2 screws.

(You can also install the kit upside down.)



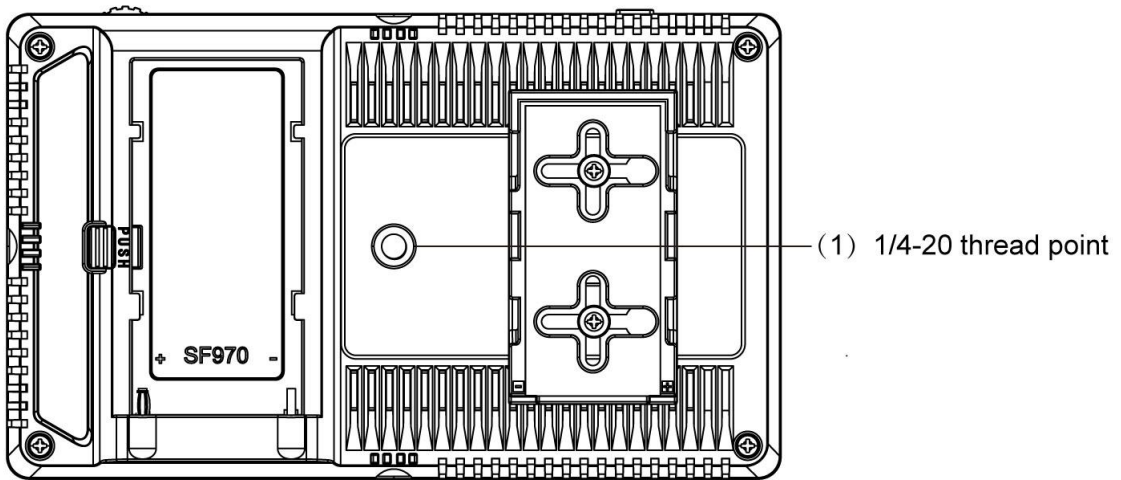
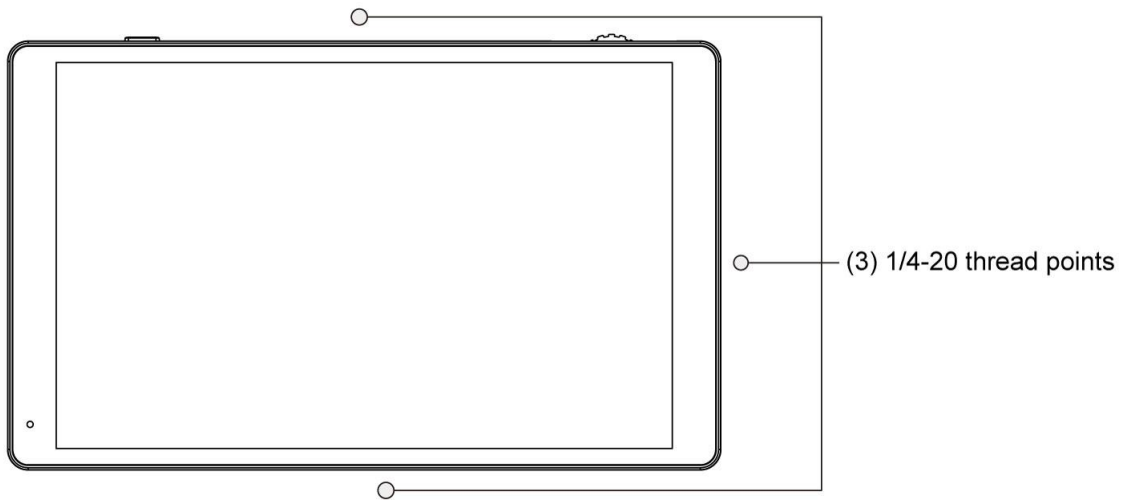
- ④. Then gently lift the kit upwards and carefully disassemble the 2P power cord.
- ⑤. Then remove the 2 screws.

(4) Install back to the kit: first screw the 2 screws back to the screw hole used to install the kit on the back of the monitor, install the 2P power cable to the cutout, then align the round hole of the kit with the screw, and then push the kit to the screw at the center of the kit cross, then tighten the screws.

1.6 Mount Points

1/4-20 Thread Points

There are (4) 1/4-20 thread points (top, bottom, right side & back) can be easily connected to the hot shoe mount, tripod fixed installation.



1.7 Sunshade



① Sunshade



② Sunshade Frame



③ Fixed Frame





④ Sunshade Application

First lock the Sunshade Frame ② with the monitor tight ③.


Open the sunshade ①, and match the sticker on the sunshade inside to the marked part of the sunshade frame ②, smooth and press 3 sides on the sunshade, and then complete the sunshade installation ④.

2. Menu Operation Instruction

After the monitor is properly connected to the power supply, the indicator light is on (red). Press  / TOUCH button to turn on the monitor power. The indicator light turns yellow. After inputting the HDMI signal, the indicator light turns from yellow to green.

After start up, short press  / TOUCH to select to turn the screen touch function on or off.

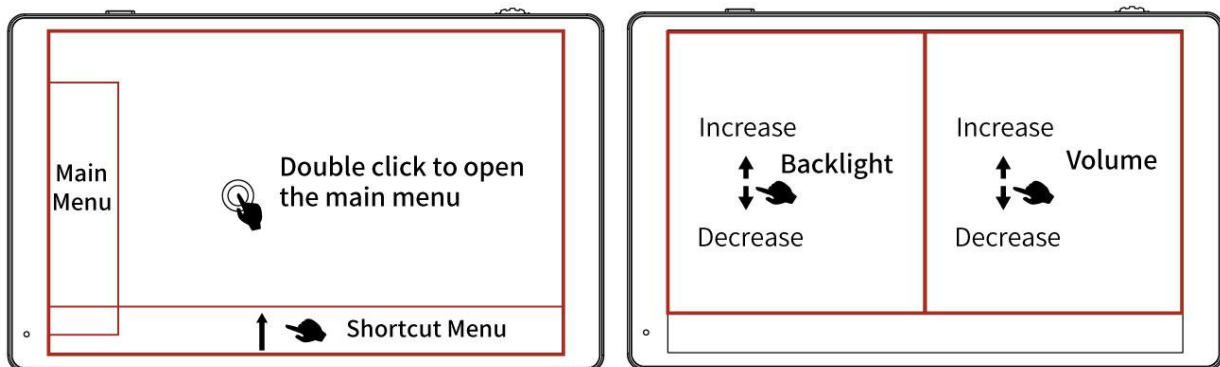
(1). Directly touch the screen for menu operation (turn on the screen touch function)

- ①. Double-click on the screen to open the main menu (on the left side of the screen) and click on the corresponding menu to display the secondary menu. You can enter the corresponding function option to select or set with the "<" or ">" key of the option. Exit the menu and press  key of the main menu or click the touch screen.
- ②. Swipe up from the bottom of the screen to open the shortcut menu and click on the corresponding menu to open or set the


corresponding function. Double-click the shortcut menu function and select the function setting with the "<" or ">" key.

- ③. On the left side of the screen (1/2 split screen), you can directly adjust the brightness of the screen backlight; on the right side of the screen (1/2 split screen), you can directly adjust the volume.

Figure:



(2) Menu Operation of MENU Wheel

- ①. When the menu is not displayed, directly rotate the wheel to backlight or volume adjustment. The wheel option can be set to backlight or volume in the menu .
- ②. Long press the MENU wheel to open the main menu (on the left side of the screen). Rotate the wheel to select the secondary function menu. After selecting it, press the wheel, then rotate the wheel to select or set the option function.
- ③. Short press the MENU wheel to open the shortcut menu (below the screen), rotate the wheel to select the shortcut menu option, press the wheel to directly turn on/off the function, if you press the parameter selection, repeat the above operation. The

shortcut menu will automatically exit after about 5 seconds without operation.

3. Menu Function Instruction



All Waves	OFF, ON
Parade	OFF, RGB, YUV, Y
Vector	OFF, ON
Histogram	OFF, ON
Focus Assist	OFF, ON The focus level and focus color items are displayed after the focus assist is turned on.
Focus Level	1~10
Focus Color	yellow, red, green, blue, white
Audio Meter	OFF, ON
Zebra	OFF, ON The zebra value item is displayed only after the zebra is turned on.
Zebra Value	1%~100%
Monochrome	OFF, gray, red, green, blue
False Color	OFF, type1, type2
Return ←	Back to the previous OSD menu

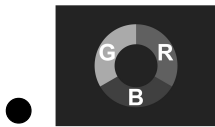


Nine Grid	OFF, ON
Safety Marker	OFF, 70%, 80%, 90%, 16:9, 16:10, 4:3, 5:4, 1:1, 1.91:1.1, 4:5, 9:16, 1.85:1, 2.35:1
Center Marker	OFF, ON
Marker Mat	OFF, 16:9, 16:10, 4:3, 1.85:1, 2.35:1, 2.41:1, 1.9:1, 5:4, 1:1.9 The Marker Mat Alpha item is displayed after the Marker Mat is turned on.
Marker Mat Alpha	0%, 25%, 50%, 75%
Marker Color	yellow, red, green, blue, white, black
Return ←	Back to the previous OSD menu



Scan Mode	Under Scan, Over Scan
Video Aspect	auto, 16:9, 16:10, 4:3, 5:4, 1.85:1, 2.35:1, stretch, user Under the user , you can customize the Video Width (100% ~ 200%), Video Height (100% ~ 200%)
Anamorphic Mode	OFF, 1.25x, 1.33x, 1.5x, 1.8x, 2.0x, 2.0x mag
Auto Mirror	OFF, ON After turning on, the image will automatically adjust upside down.
Flip H	OFF, ON
Flip V	OFF, ON
Zoom Times	OFF, 100%~300%

Freeze	OFF, ON
Pixel to Pixel	OFF, ON
Return ←	Back to the previous OSD menu



HDR	OFF, HLG 2020, HLG 709, HLG P3
Lut Switch	OFF, ON The Lut item is displayed after the Lut Switch is turned on.
Lut	SLOG2, SLOG3, LOGC, VLOG
Lut Import (SD)	After copying the 3D LUT file to the SD card and inserting it into the SD card slot, you can click the “<” or “>” key in the Lut (SD) option, or rotate the wheel to import the 3D LUT file. Note: the chip should be faced up when inserting the SD card, and press it after inserting to ensure that the SD card is fully inserted.
Colortemp	5600K, 6500K, 9300K, user Under the “user” item, the red, green, and blue values of the image can be adjusted.
Backlight	1~100
Brightness	0~100
Contrast	0~100
Saturation	0~100
Hue	0~100
Sharpness	0~100

Return ←	Back to the previous OSD menu
--------------------	-------------------------------



Wheel	Backlight, Volume After selecting the wheel option, you can click the “<” or “>” button in the wheel option, or rotate the wheel to select one of the shortcut keys to set it to the rotary wheel adjustment (when the menu is not displayed).
Language	中文, 繁體中文, English, 日本語, Deutsch, Français, Italiano, Español, 한국, Русский
Transparency	OFF, low, middle, high
OSD Time	5s, 10s, 15s, 20s, 25s, always
Volume	0~100
Reset	After selecting the reset option, you can click the “<” or “>” key in the reset option or rotate the wheel to restore the factory settings.
Firmware Update	After copying the update file to the SD card and inserting it into the SD card slot, you can click the “<” or “>” key in the firmware update option or rotate the wheel to update.
Return ←	Back to the previous OSD menu



	Exit the menu
--	---------------

4. Technical Parameters

Panel Size	7" touch screen
Resolution	1920 × 1200 pixels
Dot Pitch	0.07875 (H) x 0.07875 (W) (mm)
Aspect Ratio	16:10
Brightness	500cd/m ²
Contrast	1200:1
Viewing Angle	80°/80°(L/R) 80°/80°(U/D)
Backlight	LED
Adjustable Backlight	Yes
Input	HDMI
Output	HDMI, 3.5mm stereo headphone jack
Power In	DC IN 12V, Barrel (5.5mm outer, 2.1mm inner), DC IN 5V (Type-C) (Note: Please use 5V/2A or more than 2A Type-C power supply)
Power Out	DC OUT 8V, Barrel (5.5mm outer, 2.1mm inner; Power DSLR or mirrorless camera)
HDMI Input/Output Support Format	480i /480p /576i /576p 720p(60/59.94/50/30/29/25/24/23.98) 1080i(60/59.94/50) 1080p(60/59.94/50/30/29.97/25/24/24sF/23.98/23.98sF) 4K UHD 3840×2160p (60/50/30/29.97/25/24/23.98Hz) DCI 4K 4096×2160p (24Hz)

Power Input Voltage	7~24V
Power Consumption	≦9W
Unit Size (mm)	175Lx105Hx22D (mm)
Unit Weight	330g
Mount Points	(4) ¼-20 thread points (top, bottom, right side and back)
Working Temperature	-20°C ~55°C
Storage Temperature	-30°C ~65°C

5. Trouble Shooting

5.1 Only black and white or monochrome picture:

- ① please check saturation, brightness & contrast adjustment.
- ② Please check "Monochrome" is in black, white or monochrome image or other condition.

5.2 NO Image after put on the power

- ① Check if signal cable connecting is in good condition.
- ② Check signal cable connecting, and make sure to use the standard adapter to connect the monitor. If power is supplied by battery, please check if the battery is fully charged.

5.3 Earphone No sound

Check if Volume control do not open, press the volume button, and try to increase the volume.

- If there are still other problems, please contact with our related technologists.
- ★ As we are improving product features and product performance, so if there is any change on the specification without prior notice.