

# dnp Holo Screen Accessories

dnp Holo Screen Accessories is a series of well-designed and easy-to-install solutions for installation of the acrylic version of the dnp Holo Screen in shop windows, shop-in-shop areas, and other POS environments.

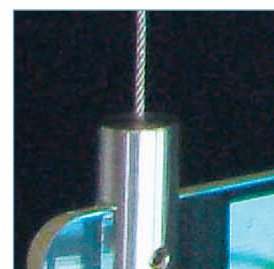
The accessories programme includes two different solutions – a wire kit and a floor stand. Both kits are easy to install and made of high quality materials with an aesthetic finish, which matches the interior design of a high-end concept store.

## Floor stand



Designed in aluminium, the elegant floor stand fits into even the most exclusive shop environments.

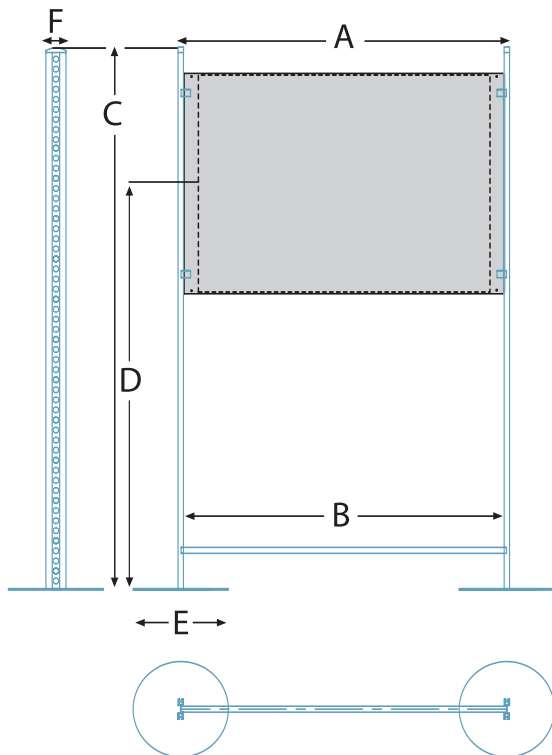
## Wire kit



The wire kit allows the Holo Screen to be hung from the ceiling, apparently floating in mid air.

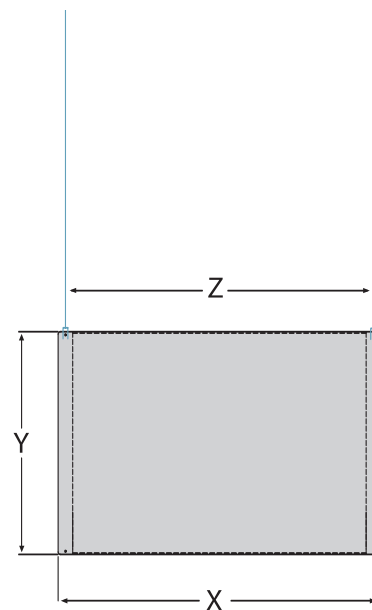
## Floor stand

The floor stand can be set up quickly at any location. It is also ideal if the screen has to be mobile or if the ceiling does not allow mounting of projector and wires. The stand takes up very little floor space. And the clean high-tech aluminium look is designed to fit into modern instore interiors without drawing attention away from the image. The floor stand allows you to adjust the vertical position of the screen according to the average height of the viewers – a feature that makes it well suited for universal use in all applications and markets.



## Wire kit

The wire kit is designed for situations where the end user wants to create the illusion of a flying image. You only need to attach 2 or 4 thin wires to the transparent screen, and the image will seem to be suspended in mid air. The kit comes with flexible mounts, which can be used for both ceiling and wall mounting situations.



Accessory	Type		Floor stand for 40" Holo Screen	Floor stand for 60" Holo Screen	Wire Kit for 40" Holo Screen	Wire Kit for 60" Holo Screen	10 m extra wire
	no.		7080	7081	7082	7082	7083
<b>Floor stand</b>							
Floor stand width - outside measurements	(A)	mm	954	1366			
Floor stand width - inside measurements	(B)	mm	934	1346			
Floor stand height	(C)	mm	2070	2250			
Floor stand height to screen centre	(D)	mm	1670	1700			
Floor stand base width	(E)	mm	300	400			
Floor stand depth	(F)	mm	84.5	84.5			
<b>Wire kit</b>							
Screen width - outside measurements	(X)	mm			927	1340	
Screen height - outside measurements	(Y)	mm			620	925	
Wire distance	(Z)	mm			870	1279	
Number of wires					2	2	1
Length of wire on each side		m			5	5	10

Subject to change without notice. Please check specification at time of ordering.

September 2004

### More info at dnp VIP zone

Members of the dnp VIP zone have access to information and interactive tools, which will help you design, install and sell screen display solutions with dnp screens. For more information, please ask your local dnp distributor.

[www.dnp.dk](http://www.dnp.dk)

dnp denmark as · Skrugangen 2 · DK - 2690 Karlslunde · Denmark · Tel: +45 46 16 51 00



Screens of the art