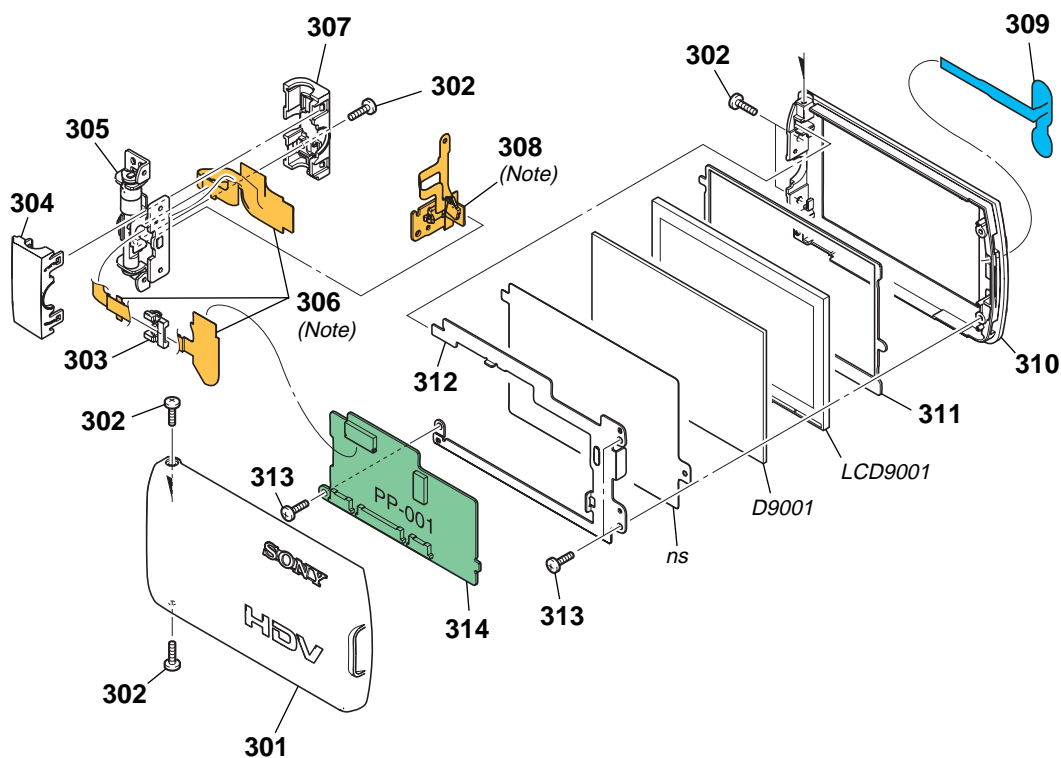


5. REPAIR PARTS LIST

5-1-7. LCD BLOCK ASSEMBLY

ns: not supplied



Note: Be sure to read "2-2. The Method of Attachment FP-248, FP-259 Flexible Board" on page 2-7, 8.

Note: 2-7, 8ページの "2-2, FP-248, FP-259フレキシブル基板の取り付け方" を必ずお読み下さい。

Ref. No.	Part No.	Description
301	X-2059-644-1	CABINET (C) ASSY, P
302	2-635-562-11	SCREW (M1.7)
303	2-633-643-01	CLAMP, FLEXIBLE
304	2-633-644-21	COVER (FRONT), HINGE
305	X-2059-620-1	HINGE ASSY
306	1-865-406-11	FP-259 FLEXIBLE BOARD (Note)
307	2-633-645-01	COVER (REAR), HINGE
308	1-865-395-21	FP-248 FLEXIBLE BOARD (Note)

Ref. No.	Part No.	Description
309	1-479-063-21	KEY BLOCK, CONTROL (SB9000)
310	2-633-639-31	CABINET (M), P
311	2-633-640-01	CUSHION, PANEL
312	2-633-642-01	FRAME, PANEL
313	3-989-735-11	SCREW (M1.7), LOCK ACE, P2
314	A-1110-899-A	PP-001 BOARD, COMPLETE
D9001	1-478-929-11	BLOCK, LIGHT GUIDE PLATE (2.7)
LCD9001	A-1083-763-A	TP BLOCK ASSY 27STGU