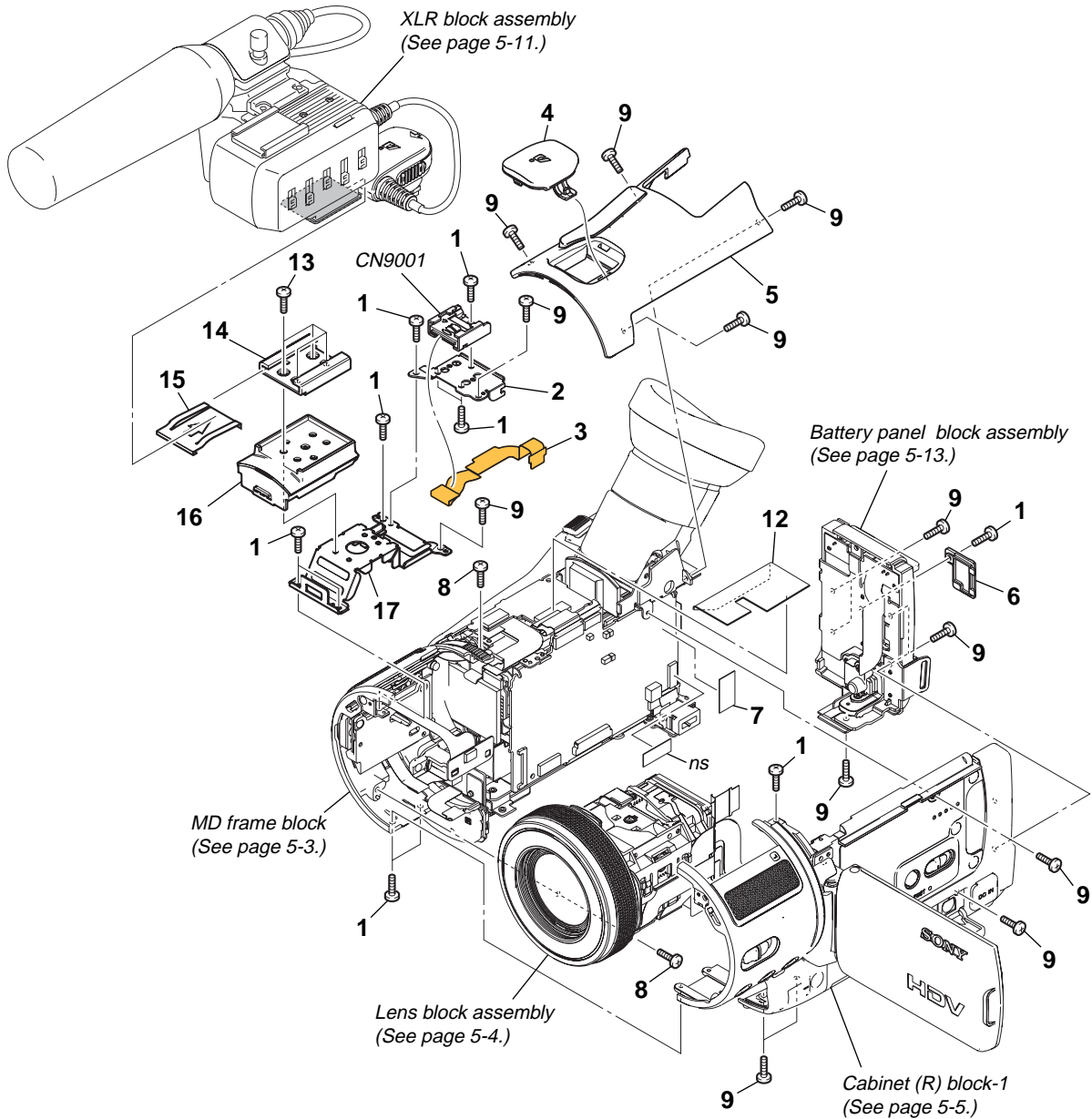


# 5. REPAIR PARTS LIST

## 5-1. EXPLODED VIEWS

### 5-1-1. OVERALL ASSEMBLY

ns: not supplied



Ref. No.	Part No.	Description	Ref. No.	Part No.	Description
1	2-635-562-11	SCREW (M1.7)	9	2-635-562-31	SCREW (M1.7)
2	2-633-526-01	FRAME, SHOE	12	2-636-395-01	SHEET (HS)
3	1-865-400-11	FP-253 FLEXIBLE BOARD	13	3-080-202-31	SCREW (M2), LOCK ACE, P2
4	2-633-525-21	COVER, SHOE	14	3-069-286-21	SHOE, ACCESSORY
5	X-2059-616-1	CABINET (UPPER) ASSY	15	3-688-754-11	SPRING
6	2-633-531-01	LID, CPC	16	2-634-289-01	CABINET, COLD SHOE
7	2-633-544-01	SHEET (DD)	17	2-634-290-01	FRAME, COLD SHOE
8	3-989-735-11	SCREW (M1.7), LOCK ACE, P2	CN9001	1-818-890-11	CONNECTOR, EXTERNAL (HOT SHOE)