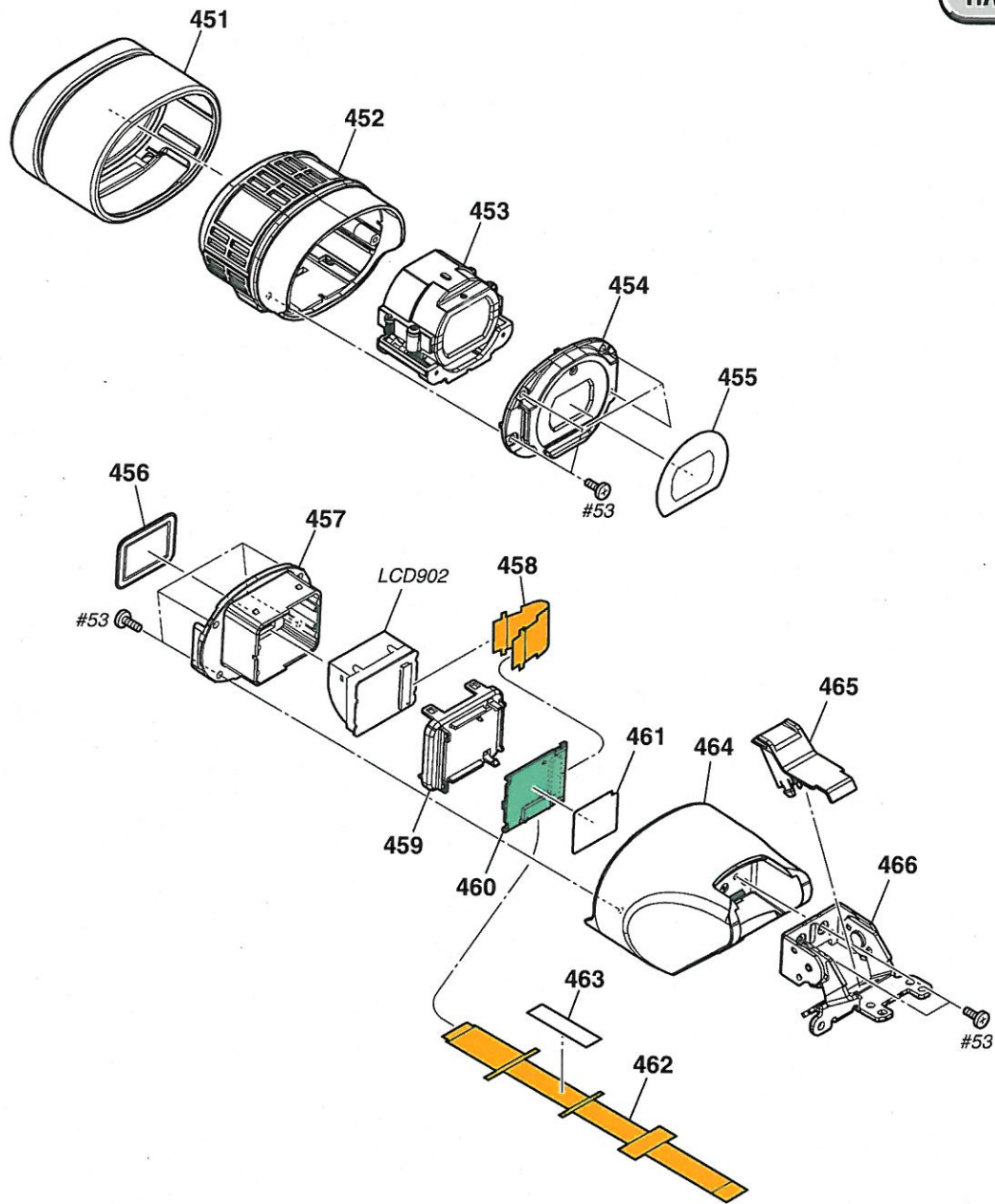


5. REPAIR PARTS LIST

5-1-10. EVF SECTION

HARDWARE LIST



Ref. No.	Part No.	Description
451	4-119-301-01	EYE CUP (SMALL)
452	X-2320-885-1	EYE CUP (93000) ASSY
453	X-2320-861-1	LENS ASSY, VF
454	4-119-302-01	LID, EYE CUP CABINET
455	4-119-303-01	COVER, EYE CUP CABINET LID
456	3-288-591-01	SHEET, VF PROTECTION
457	3-288-585-01	CASE, PANEL
458	1-873-733-11	FP-776 FLEXIBLE BOARD
459	3-288-586-01	LID, PANEL
460	A-1599-826-A	VF-178 BOARD, COMPLETE

Ref. No.	Part No.	Description
* 461	3-299-948-01	SHEET (UU)
462	1-876-945-11	FP-974 FLEXIBLE BOARD
463	3-291-247-02	TAPE (VF)
464	X-2320-886-1	CABINET (93000) ASSY, VF
* 465	3-877-836-01	HOLDE_FPC (VF)
466	X-2320-859-1	HINGE ASSY, VF
LCD902	1-802-560-31	LCD MODULE
#53	3-080-206-21	SCREW, TAPPING, P2 (Black)