

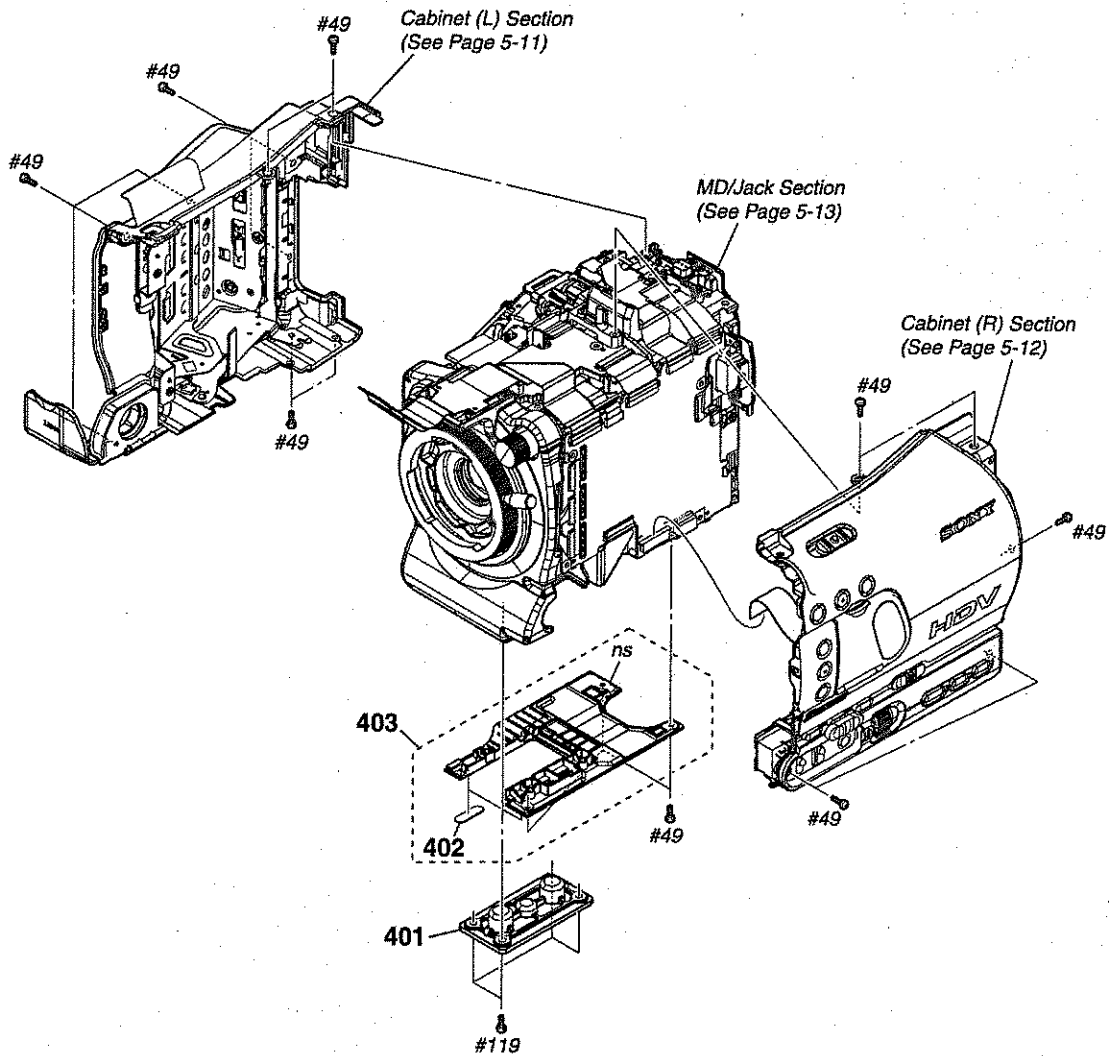
# 5. REPAIR PARTS LIST

## DISASSEMBLY

## HARDWARE LIST

### 5-1-9. OVERALL SECTION-2

ns: not supplied



Ref. No.	Part No.	Description
401	3-288-392-01	WASHER (D), TRIPOD
402	2-178-805-01	FOOT, RUBBER
403	X-2188-586-1	CABINET ASSY, BOTTOM

Ref. No.	Part No.	Description
#49	2-630-005-31	SCREW (M2), NEW TRUSTER, P2 (Black)
#119	7-627-556-58	SCREW +P 2.6X5 (Black)