

5. REPAIR PARTS LIST

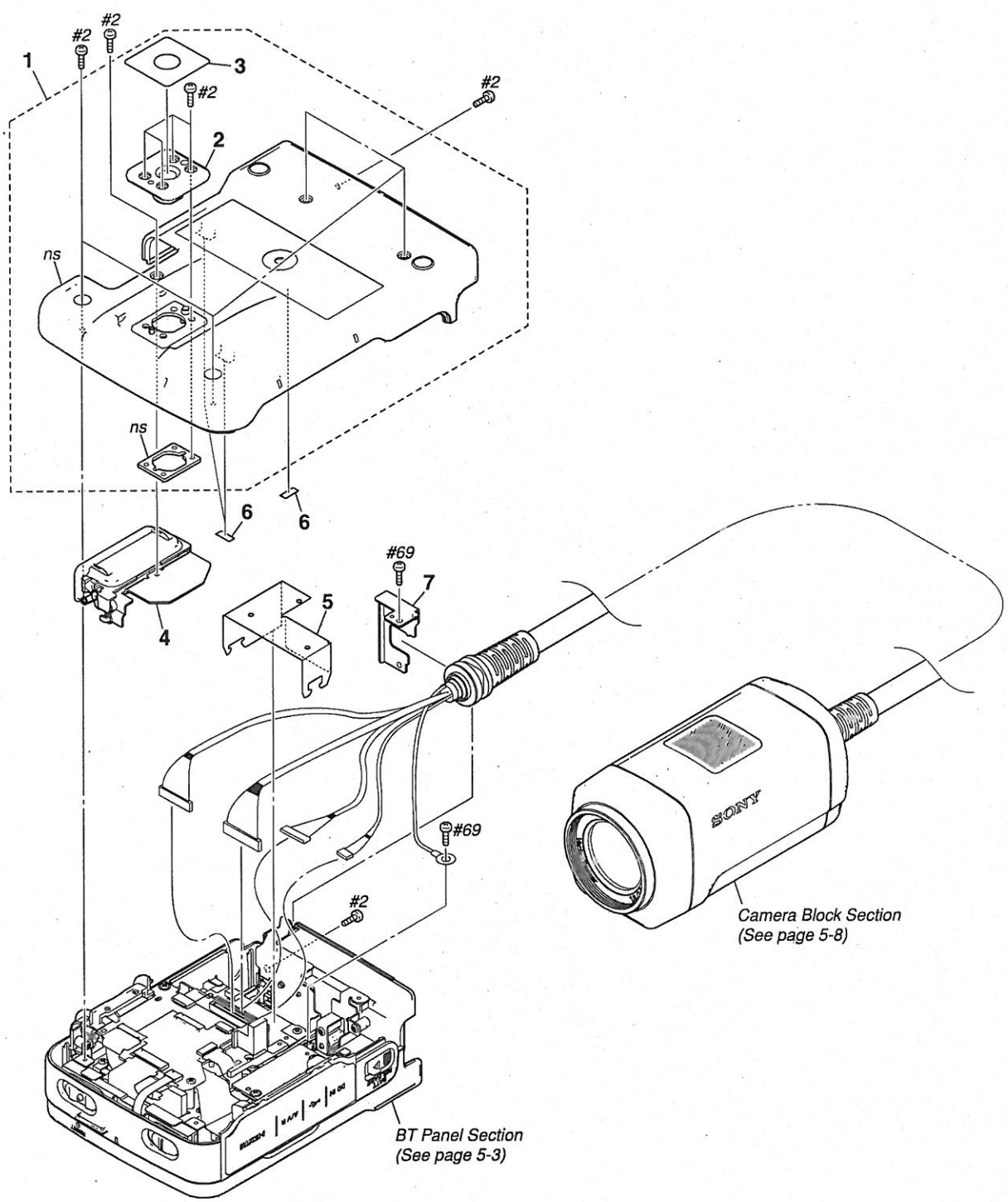
DISASSEMBLY

HARDWARE LIST

5-1. EXPLODED VIEWS

5-1-1. OVERALL SECTION

ns: not supplied



Ref. No.	Part No.	Description
1	X-2345-358-1	CABINET (B) ASSY
2	4-132-542-11	SCREW, TRIPOD
3	4-135-345-01	SHEET, TRIPOD
4	X-2345-360-1	LID ASSY, MS
5	4-132-603-01	PROTECTOR, CABLE

Ref. No.	Part No.	Description
6	4-132-601-01	SHEET (01), RADIATION
* 7	4-133-936-01	RETAINER, CABLE
#2	2-635-562-31	SCREW (M1.7) (Black)
#69	2-599-475-21	SCREW (M1.7) (Silver)

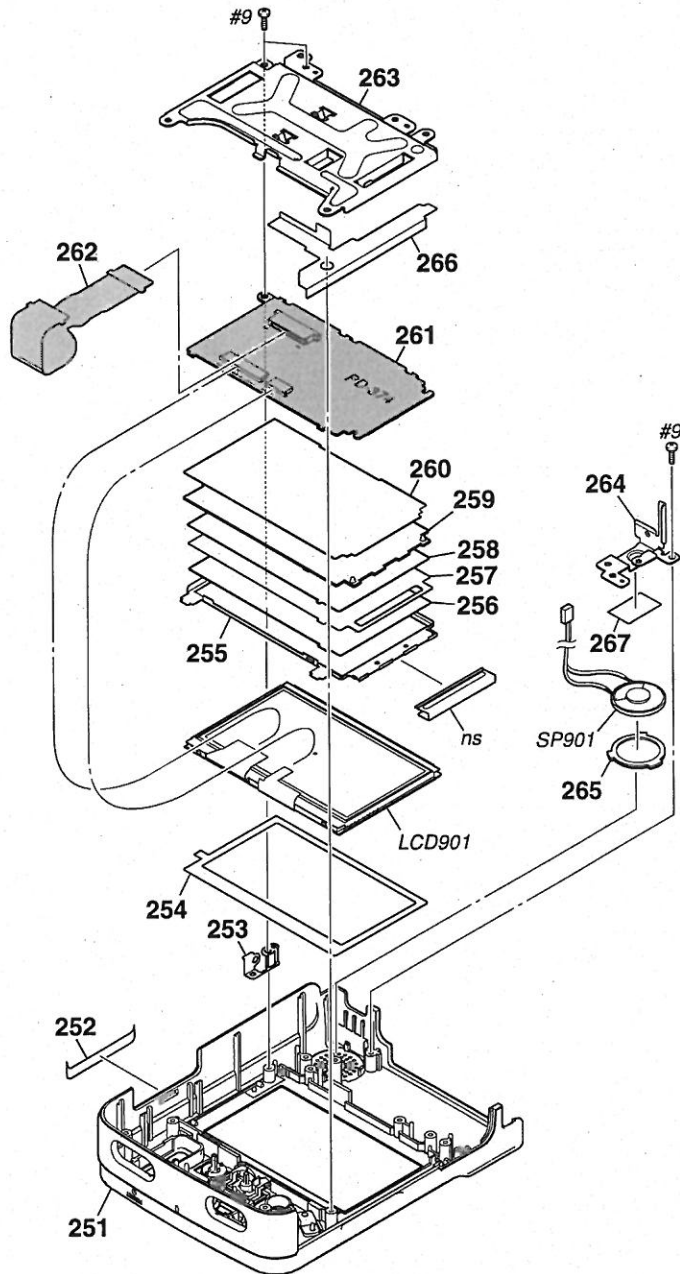
5. REPAIR PARTS LIST

DISASSEMBLY

HARDWARE LIST

5-1-6. LCD SECTION

ns: not supplied



Ref. No.	Part No.	Description
251	X-2345-366-1	CABINET (T) ASSY
252	4-132-602-01	LID, CPC
* 253	3-290-639-01	PLATE (700), P GROUND
* 254	3-290-642-01	CUSHION (700), TP
255	2-694-516-01	FRONT FRAME (2.7)
256	2-694-512-01	PRISM SHEET V (2.7)
257	2-694-513-01	PRISM SHEET H (2.7)
258	2-694-514-01	DIFFUSION SHEET (2.7)
259	2-666-801-01	LIGHT GUIDE (2.7)
260	2-694-515-01	REFLECTION SHEET (2.7)

Ref. No.	Part No.	Description
261	A-1665-146-A	PD-374 BOARD, COMPLETE
262	1-878-637-11	FP-1001 FLEXIBLE BOARD
263	4-132-607-01	FRAME, LCD
* 264	4-132-605-01	HOLDER, SP
* 265	4-132-606-01	SHEET, SP
* 266	4-136-658-01	SHEET, LIGHT INTERCEPTION
* 267	4-141-380-01	CUSHION, SP
LCD901	A-1202-058-A	TP BLOCK ASSY (27ESHMG07)
SP901	1-825-260-51	LOUD SPEAKER (1.6CM)
#9	3-078-890-21	SCREW, TAPPING (Silver)