
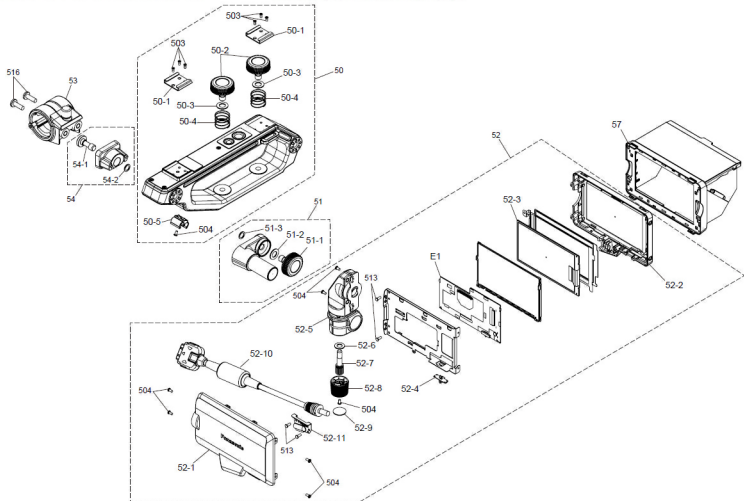


HANDLE & LCD ASSEMBLY

Components identified with the mark  have the special characteristics for safety.
When replacing any of these components, use only the same type.



SPL-2