

**Canon**

# *J17ax 7.7B*



*Most Advanced  
"Standard" lens  
achieving high  
quality and wide  
angle in a  
compact size.*



**IFxS** DIGITAL DRIVE  
**DD**

**IFX<sub>S</sub>**  
DIGITAL DRIVE  
**DD**

# J17ax 7.7B

*Most Advanced  
"Standard" lens  
achieving high  
quality and wide angle  
in a compact size.*

**IFX<sub>S</sub>** : The “**X<sub>S</sub>**” comes from “Excess” and the new generation lens series, **IFX<sub>S</sub>** exceeds conventional lens specifications and concepts with breakthrough technology.

Canon has always pursued originality with advanced technology meeting user’s demands and requirements. **IFX<sub>S</sub>**, which incorporates Canon’s Power Optical System featuring the **X-Element**, is one such innovation and now we take the next step by introducing the next generation of standard lens with a 17X zoom ratio and an unmatched 7.7mm wide angle in a compact size.

## X-Element & Power Optical System

Canon has developed breakthrough optical design concepts using a newly developed optical element in the most effective way. We have named this design concept the “Power Optical System” which can achieve higher specifications and quality in a smaller size and lighter weight, using a unique optical “Element” which realizes complete elimination of its aberration. Thanks to the **X-Element & Power Optical System**, the J17ax7.7B is the same size and weight as its predecessor offering both more telephoto and a wider angle. The 59.5 x 46.4 angular field of view at 7.7mm sets new standards and is the widest angle of any lens in its class.

## Digital Drive Unit

Canon’s exclusive Digital Drive System provides outstanding operation and features.

### Shuttle Shot :

By memorizing any two focal lengths, the Digital Drive can automatically “shuttle” between the two points, moving in either direction.



### Framing Preset :

An angle of view can be preset in memory and the lens will zoom to that position by pushing a simple button. During a performance, framing preset will reproduce the zoom position decided upon at the rehearsal. It's easy to repeat the same zoom as often as you like at the highest speed or in a preset zoom speed.



### Speed Preset :

A specific zoom speed can be preset in memory and it is possible to repeat the zoom speed as often as you like by pushing a simple button.



### Zoom track

A new feature has been added to our "Useful" Digital Drive, called "Zoom Track". It allows the camera operator to adjust the electronic focal length to their desired range by memorizing zoom positions at both the tele and the wide side of the zoom.

### Zoom mode select

One of several selectable curves can be chosen which will allow different zoom movement characteristics when operating the rocker switch.

### PC connection

Using the Digital communication interface on the lens and an associated Dipswitch, a personal computer can be connected to the lens for operation by remote control. By using optional software, a personal computer system can be used for remote diagnostics of the lens.

### Anti-Dust Barrel

A new and exclusive design concept has dramatically reduced dust collecting anywhere within the lens barrel.

### Digital demands series

Canon offers a unique digital Zoom Demand, the ZSD-300D and digital Focus Demand, the FPD-400D. The ZSD-300D zoom demand will operate the shuttle shot and frame preset features of the lens. All digital demands connect to the lens via a new one-touch 20-pin connector. All current analog demands are compatible with digital drive lenses.

### Studio/Field digital lens demands

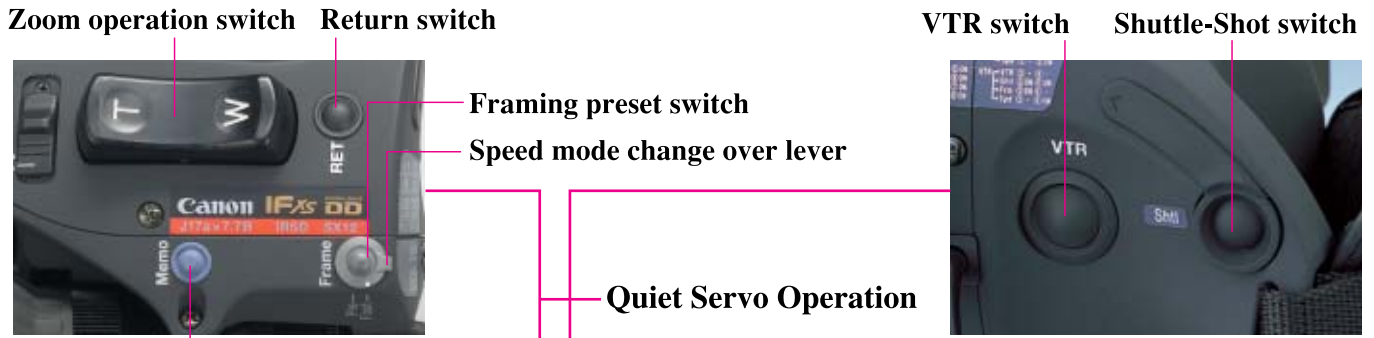
By using an adapter cable, it is possible to use the Studio/Field digital lens controllers with the J17ax7B.

### CROSSOVER (Dual Aspect Ratio Switching System)

The J17ax7.7B is available with the crossover option in two versions, the J17ax7.7B WRSD/WASD with 2X extender and the J17ax7.7B VRSD/VASD without 2X extender for switchable cameras.

### Accessories

1. Optical Accessories: 82mm Filters
2. Operation Accessories: Digital zoom demand ZSD-300D and digital zoom focus demand FPD-400D are available to remote the digital functions for EFP applications.



Memory switch



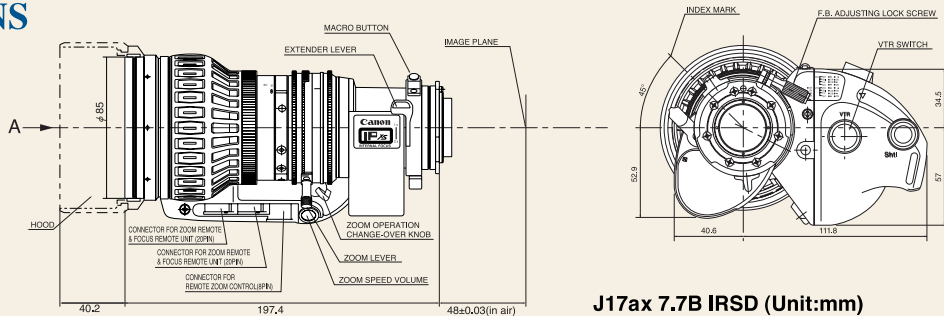
- Mass(1.43kg)**
  - Lightest mass in it's class.
- ZOOM RATIO 17X**
  - Faster and quieter servo system  
maximum zoom speed : 0.7 sec.
- WIDE ANGLE OF 59.5 DEGREES AT 7.7mm**
- OBJECT DIMENSIONS 63.1 × 47.3cm AT M.O.D**

**CROSSOVER MODE**

- For 16:9/4:3 switchable cameras.(Option)

**Built-in 2X Extender**

## DIMENSIONS

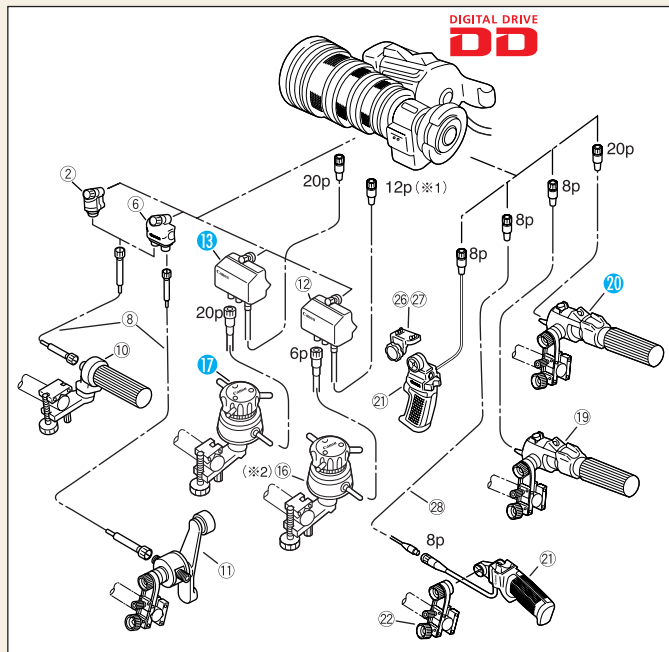


J17ax 7.7 IRSD (Unit:mm)

## SPECIFICATIONS

	NORMAL4:3		16:9		SWITCHABLE 4:3		
Image Format	8.8 x 6.6mm ; φ 11.0mm		9.6 x 5.4mm ; φ 11.0mm		7.2 x 5.4mm ; φ 9.0mm		
Built-in Extender	1.0X	2.0X	1.0X	2.0X	1.0X	1.2X	2.4X
Zoom Ratio			17X				
Range of Focal length	7.7-131mm	15.4-262mm	7.7-131mm	15.4-262mm	6.4-109mm	7.7-131mm	15.4-262mm
Maximum Relative Aperture	1:1.8 at 7.7~102.5mm 1:2.3 at 131mm	1:3.6 at 15.4~205.0mm 1:4.6 at 262mm	1:1.8 at 7.7~102.5mm 1:2.3 at 131mm	1:3.6 at 15.4~205.0mm 1:4.6 at 262mm	1:1.8 at 6.4~103.3mm 1:1.9 at 109mm	1:1.8 at 7.7~102.5mm 1:2.3 at 131mm	1:3.6 at 15.4~205.0mm 1:4.6 at 262mm
Angular Field of View	59.5°x46.4° at 7.7mm 3.85°x2.89° at 131mm	31.9°x24.2° at 15.4mm 1.92°x1.44° at 262mm	63.9°x38.6° at 7.7mm 4.20°x2.36° at 131mm	34.6°x19.9° at 15.4mm 2.10°x1.18° at 262mm	59.5°x46.4° at 6.4mm 3.85°x2.89° at 109mm	50.1°x38.6° at 7.7mm 3.15°x2.36° at 131mm	26.3°x19.9° at 15.4mm 1.57°x1.18° at 262mm
Minimum Object Distance(M.O.D.)	0.6m(10mm with Macro)						
Object Dimensions at M.O.D.	63.1x47.3cm at 7.7mm 3.8x2.9cm at 131mm	31.6x23.7cm at 15.4mm 1.9x1.5cm at 262mm	68.5x38.5cm at 7.7mm 4.2x2.4cm at 131mm	34.3x19.3cm at 15.4mm 2.1x1.2cm at 262mm	63.1x47.3cm at 6.4mm 3.8x2.9cm at 109mm	51.8x38.5cm at 7.7mm 3.1x2.4cm at 131mm	25.9x19.3cm at 15.4mm 1.6x1.2cm at 262mm
Size(IRSD)	155.8(W) x 101.4(H) x 197.4(L) mm						
Approx. Mass (IRSD/IASD)	1.43kg(3.15lbs) / 1.53kg(3.37lbs)						
IRSD/IASD					VRSD/VASD	—	
					WRSD/WASD		

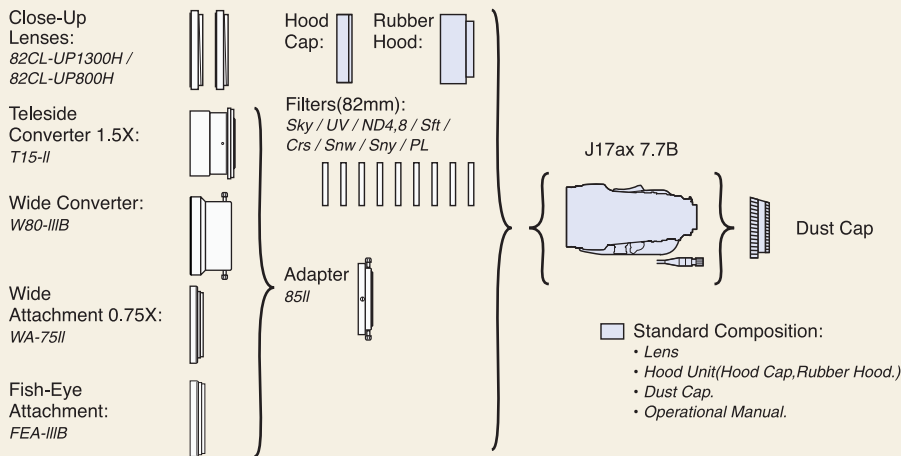
## CONTROL ACCESSORIES



- (※1) ③③ CC-2012 conversion cable is necessary to connect between IRSD Digital Drive Lens and FPM-420.  
 (※2) ③② CC-2006 conversion cable is necessary to connect between IASD Digital Drive Lens and FPD-400.

#	Unit	Description	CODE
②	FFM-100	Flex Focus Module	1824A015
⑥	FFM-200	Flex Dual Module	1824A013
⑧	FC-40	Flex Cable	1824A010
⑩	FFC-200	Flex Focus Controller	1824A014
⑪	FZC-100	Flex Zoom Controller	1824A021
⑫	FPM-420	Focus Positional Servo Module	1824A026
⑬	FPM-420D	Focus Positional Servo Module	1824A129
⑭	FPM-500	Focus Positional Servo Module	1824A027
⑯	FPD-400	Focus Positional Demand	1824A018
⑰	FPD-400D	Focus Positional Demand	1824A124
⑲	ZSD-300A/M	Zoom Demand	A 1824A066 M 1824A067
⑳	ZSD-300D	Zoom Demand	1824A123
㉑	ZSG-200A/M	Zoom Servo Grip	A 1824A068 M 1824A069
㉒	CR-10	Clamper	1824A007
㉓	ZGA-500	Grip Adapter	0002T793
㉔	EC-80	Zoom Extension Cable (8P)	1824A009
㉕	CC-2006	Conv. Cable (20pM-6pF)	1824A125
㉖	CC-2012	Conv. Cable (20pM-12pF)	1824A126

## OPTICAL ACCESSORIES



MODEL	CODE
82CL-UP800H	1823A041
82CL-UP1300H	1823A042
Teleside Con T15-II	1823A005
Wide Con W80-III B	1823A006
Wide Attach WA-75II	1823A008
Fish-Eye FEA-III B	1823A011
Adaptor85II	1824A002
UV / 82mm	1823A030
Sky / 82mm	1823A031
Crs / 82mm	1823A032
Sny / 82mm	1823A033
Snw / 82mm	1823A034
ND4 / 82mm	1823A035
ND8 / 82mm	1823A036
Sft / 82mm	1823A037
PL / 82mm	1823A038
W80Y-85	1823A009

### North & South America

**Canon USA, Inc.**  
 Broadcast and Communications Div. (Headquarters)  
 400 Sylvan Avenue Englewood Cliffs, NJ 07632  
 Tel: (201) 816-2900 / (800) 321-4388  
 Fax: (201) 816-2909  
 Email: bctv@cusa.canon.com  
 http://www.canonbroadcast.com/

**Chicago**  
 100 Park Blvd, Itasca, IL 60143  
 Tel: (630) 250-6231 Fax: (630) 250-0399

**Atlanta**  
 5625 Oakbrook Pkwy, Norcross, GA 30093  
 Tel: (770) 849-7895 Fax: (770) 849-7888

**Los Angeles**  
 15955 Alton Parkway Irvine, CA 92718  
 Tel: (949) 753-4330 Fax: (949) 753-4337

**Dallas**  
 3200 Regent Blvd, Irving, TX 75063  
 Tel: (972) 409-8871 Fax: (972) 409-8869

**Latin America**  
 Tel: (954) 349-6975 Fax: (201) 816-2909

### Canada

**Canon Canada, Inc.**  
 Optics Division  
 6390 Dixie Road Mississauga,  
 Ontario Canada, L5T 1P7  
 Tel: (905) 795-2012 Fax: (905) 795-2140

### Europe/Africa/Middle East

**The Netherlands Headquarters**  
**Canon Europa N.V.**  
 TV Products Department  
 Bovenkerkerweg 59-61  
 1185 XB Amstelveen  
 Tel: +31(0)20-5458905 Fax: +31(0)20-5458203  
 Email: tvprod@canon-europa.com  
 http://www.canon-europa.com/tv-products

### Australia

**Canon Australia Pty. Ltd.**  
 Optical Products Division  
 1 Thomas Holt Drive, North Ryde, NSW 2113  
 Tel: +61(0)2-9805-2000 Fax: +61(0)2-9805-2444

### Asia

**Canon Singapore Pte. Ltd / Broadcast Equipment Dept.**  
 No.1 Jalan Kilang Tim r #03-01 Pacific Tech Centre  
 Singapore 159303  
 Tel: +65 6276-6864 Fax: +65 6271-4226

### Japan

**Canon Inc. (Broadcast Equipment Group)**  
 20-2, Kiyohara-Kogyo-Danchi, Utsunomiya-shi,  
 Tochigi-ken, 321-3292  
 Tel: +81(0)28-667-8669 Fax: +81(0)28-667-8672