

JVC

NEW PRODUCT NEWS



4K PTZ REMOTE CAMERA (NDI®|HX)
KY-PZ400NW/NB

HD PTZ REMOTE CAMERA (NDI®|HX)
KY-PZ200NW/NB

HD PTZ REMOTE CAMERA
KY-PZ200W/B

NDI®|HX, SRT, VITC provide optimal streaming image quality and performance for Remote Production over the Internet.

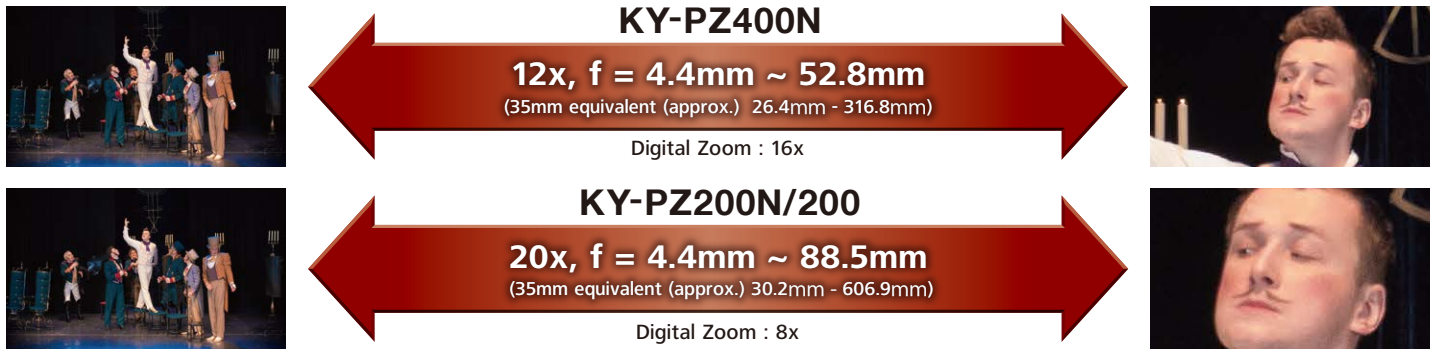


Photo : KY-PZ400N

■ 4K CMOS 1/2.5 inch Image Sensor

KY-PZ400N equipped with 4K 1/2.5 inch CMOS image sensor. Effective pixels is 8.51M.
KY-PZ200N/200 equipped with HD 1/2.86 inch CMOS image sensor. Effective pixels is 2.07M.

■ 12x Zoom (KY-PZ400N), 20x Zoom (KY-PZ200N/200)



■ Support H&V Flip, Image Freeze, 255 Preset Positions, 0.1° Preset Accuracy



	KY-PZ400N	KY-PZ200N/PZ200
Horizontal Angle of View	71° ~ 8.2°	60.7° ~ 3.36°
Vertical Angle of View	42.7° ~ 4.5°	34.1° ~ 1.89°
Horizontal Rotation Range	±170°	±170°
Vertical Rotation Range	-30° ~ +90°	-30° ~ +90°

HDMI Output 3G-SDI	Type A BNC type, 800mVp-p, 75Ω, Along to SMPTE 424M standard KY-PZ400N cannot output HDMI and SDI at the same time. KY-PZ200N/KY-PZ200 can output HDMI and SDI at the same time.
Network Interface	RJ45 : 10BASE-T/100BASE-TX/1000BASE-T
Audio Interface	Line In/Out : Ø3.5mm audio interface
USB	USB2.0, A type (For maintenance) USB3.0, B type (KY-PZ200N/KY-PZ200 only)
Communication Interface	RS232 In/Out : 8pin Min DIN, Max Distance : 30m, Standard Protocol RS485 : 2pin Phoenix Port, Max Distance : 1200m, Standard Protocol
Power	DC IN 12V



USB3.0 (KY-PZ200N/PZ200 only)
USB2.0 (for maintenance)

■ Network

	KY-PZ400N	KY-PZ200N	KY-PZ200
Video Compression	H.264/H.265/Motion JPEG		
Video Stream	Main Stream, Sub Stream		
Protocols	Control : NDI® HX, Standard Streaming : RTSP/RTP, RTMP/RTMPS, SRT, NDI® HX		Control : Standard Streaming : RTSP/RTP, RTMP/RTMPS, SRT
SRT Mode	Listener, Caller, Rendezvous (Future update)		
UVC	Not Supported	UVC 1.1-1.5	



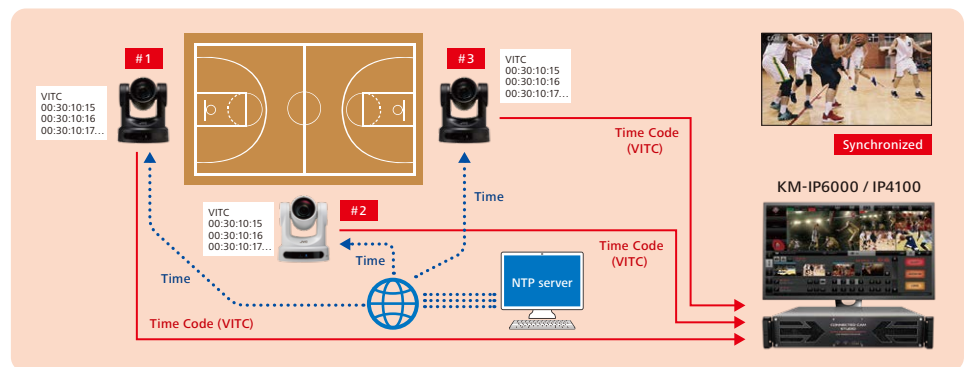
NDI® is a high quality, low latency, IP video transmission standard pioneered by NewTek.



SRT advanced streaming uses automatic repeat reuest (ARQ) and forward error correction (FEC) to prevent packet loss typical for internet connections. SRT also offers stream encryption for content protection.

■ Multi Camera Synchronization with VITC (Vertical Interval Time Code) NTP (Network Time Protocol)

Multi-camera synchronization for live event productions is simply achieved with VITC with NTP. This feature is ideal for the mixing and streaming of concerts, shows and sporting events where image synchronization is critical.



■ Supported Remote Controls (Remote Production over the Internet)

Remote Camera Controller
RM-LP100



LIVE STREAMING
PRODUCTION SUITE
KM-IP6000/4000
Series
*Future Update

streamstar
*Future Update

vMix

OBS Studio

NewTek

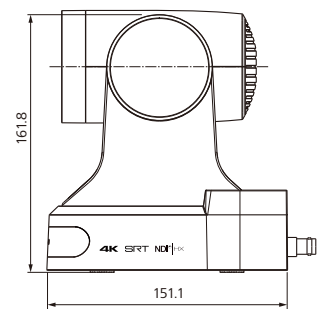
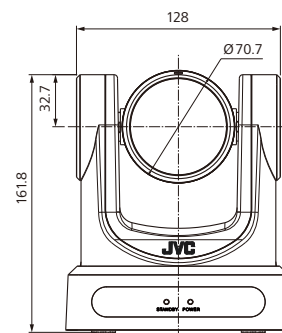
■ General Specification

LED	Tally : 1x Red/Green (KY-PZ400 only) Power : 1x Blue Standby : 1x Yellow-green
Input Voltage	DC 12V, Max 1.5A
POE supply	802.3af Standard
Operating Temperature	0°C ~ 40°C
Storage Temperature	-20°C ~ 50°C
Power Consumption	Max 12W
Size	D169mm x W142mm x H165mm (D6.7 inch x W5.6 inch x H6.5 inch)
Net Weight	1.7kg (3.7 lbs.)
OSD Language	English, Chinese, Japanese, German, Spanish, Russian, French, Italian
Accessory	AC Power Adapter, Power cable, RS232C Cable, IR Remote Control, Ceiling Bracket, Logo Sticker

Tally: KY-PZ400 only



IR
Remote
Control



Simulated pictures. Values for weight and dimensions are approximate.
E.G.O.E. Design and specifications subject to change without notice.
Copyright © 2021, JVCKENWOOD Corporation. All Rights Reserved.

Product and company names mentioned here are trademarks or registered trademarks of their respective owners.

DISTRIBUTED BY

JVC Professional Video website



USA
pro.jvc.com



Europe
eu.jvc.com/pro

JVCKENWOOD Corporation

KCS-8901

"JVC" is the trademark or registered trademark of JVCKENWOOD Corporation.