

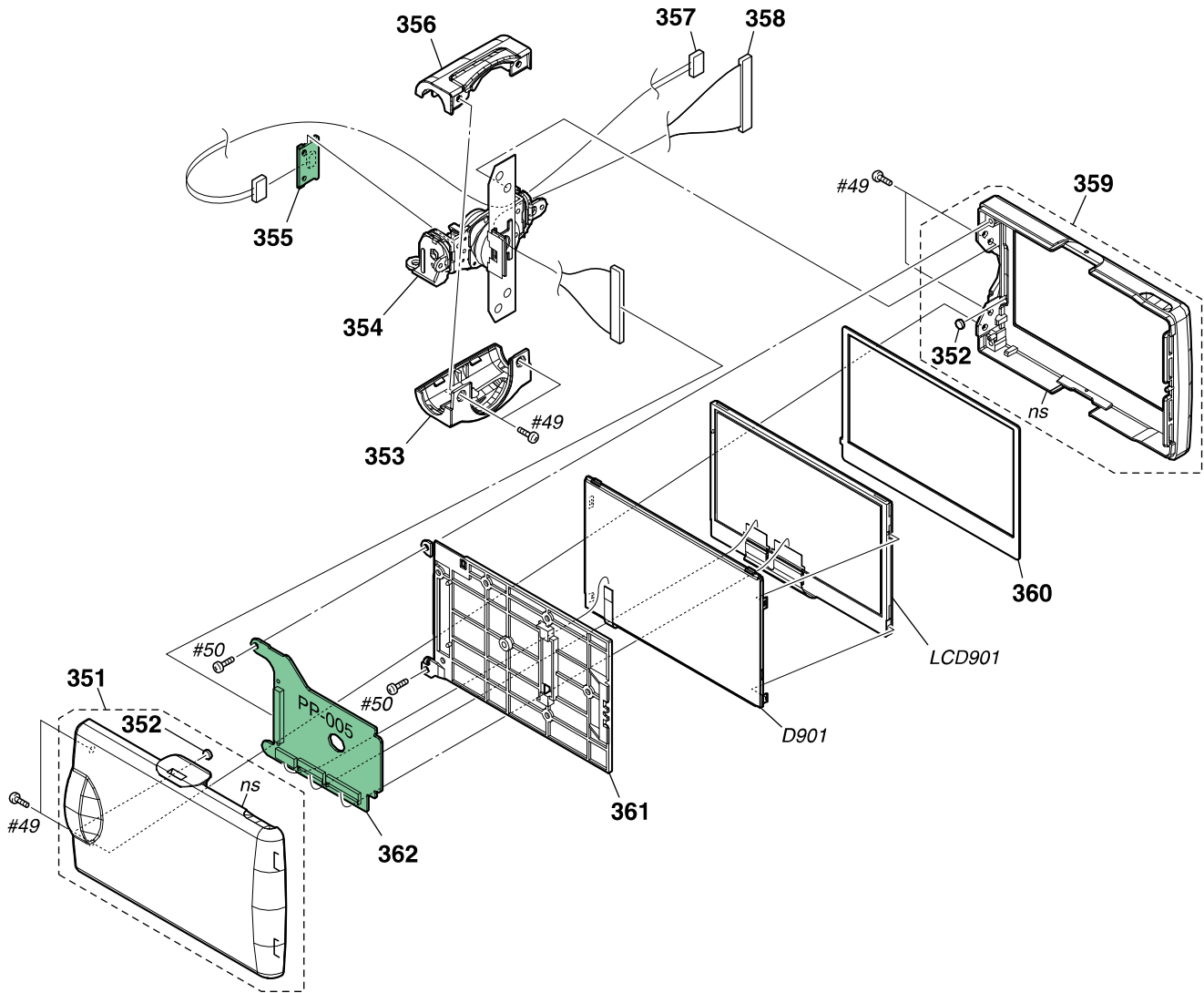
**5. REPAIR PARTS LIST**

**DISASSEMBLY**

**HARDWARE LIST**

**5-1-8. LCD SECTION**

ns: not supplied



Ref. No.	Part No.	Description
351	X-2188-612-1	CABINET (UPPER) ASSY, PANEL
352	1-471-278-11	MAGNET
353	3-288-566-01	CABINET (T), PANEL HINGE
354	X-2188-610-1	HINGE ASSY, PANEL
355	A-1486-842-A	HH-008 BOARD, COMPLETE
356	3-288-567-01	CABINET (B), PANEL HINGE
357	1-963-030-21	HARNESS (SW-116)
358	1-964-790-21	HARNESS (PR-074)
359	X-2188-613-1	CABINET (LOWER) ASSY, PANEL

Ref. No.	Part No.	Description
360	3-288-565-01	CUSHION, PANEL
361	X-2188-611-1	FRAME ASSY, BL
362	A-1486-836-A	PP-005 BOARD, COMPLETE
D901	1-480-358-11	BLOCK, LIGHT GUIDE PLATE (3.2)
LCD901	1-802-590-11	INDICATOR MODULE, LIQUIDCRYSTAL
#49	2-630-005-31	SCREW (M2), NEW TRUSTER, P2 (Black)
#50	2-891-494-11	SCREW (M2), NEW TRUSTER, P2 (Red)