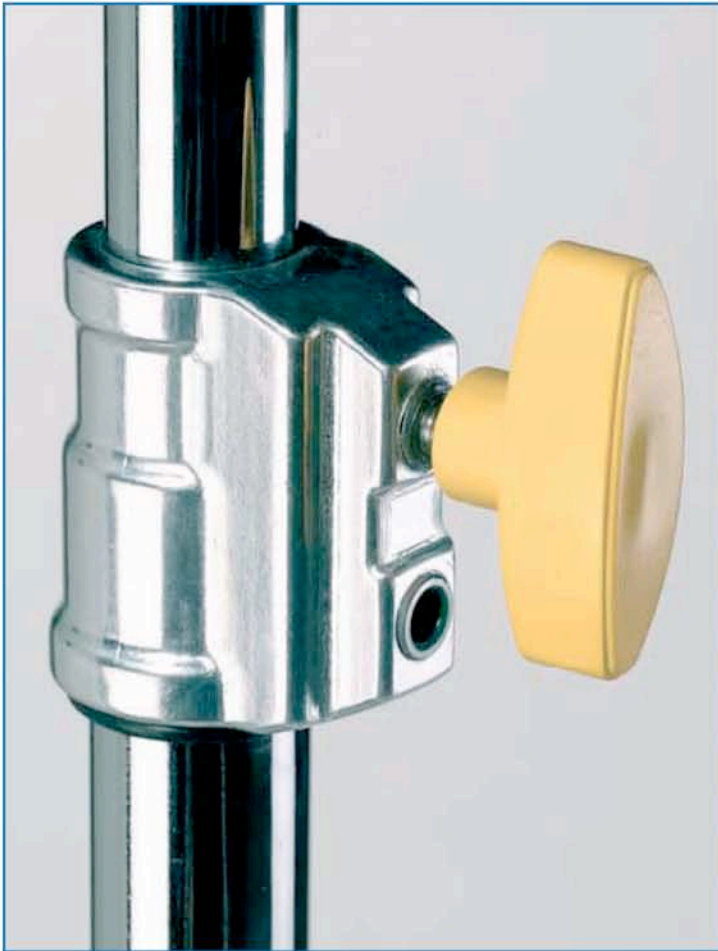




PROFESSIONAL LIGHTING SUPPORTS





Based on his knowledge of mechanical technology Ianiro has developed a line of professional supports for the Professional.

The stands are manufactured in Italy in a modern and highly efficient plant.

A new, easy to use, high performance tube locking system, all produced in die cast aluminium, elevates the Muraro stand to a new standard.



Type 1
1 1/8" socket plus 5/8"
"pop-up" spigot



Type 2:
5/8" spigot with 3/8" W
top fixing



Type 3:
5/8" spigot



Type 4:
17,5mm socket



Type 5:
M10 thread socket



Type 6:
5/8" long spigot



Type 7:
1 1/8" socket plus 5/8"
"pop-up" spigot
with 3/8" W

IANIRO

PROFESSIONAL LIGHTING SUPPORTS



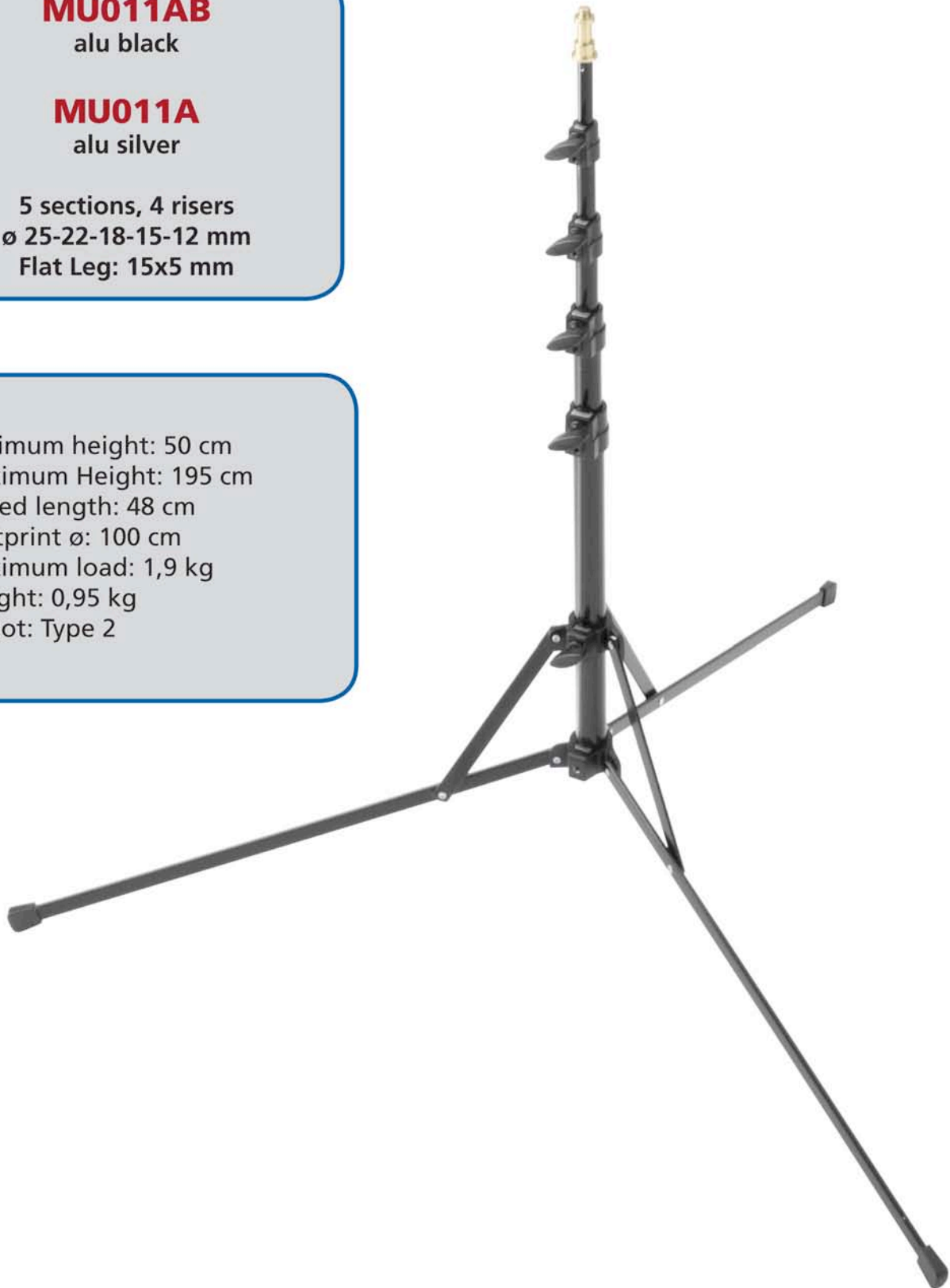
PROFESSIONAL LIGHTING SUPPORTS

MU011AB
alu black

MU011A
alu silver

5 sections, 4 risers
ø 25-22-18-15-12 mm
Flat Leg: 15x5 mm

Minimum height: 50 cm
Maximum Height: 195 cm
Closed length: 48 cm
Footprint ø: 100 cm
Maximum load: 1,9 kg
Weight: 0,95 kg
Spigot: Type 2



MU015

IANIRO

MU015AB

alu black

MU015A

alu silver

5 sections, 4 risers

ø 25-22-18-15-12 mm

Leg: 15x15x2 mm

Extendible Leg: 10x10x1 mm

Minimum height: 50 cm

Maximum Height: 260 cm

Closed length: 48 cm

Minimum footprint ø: 105 cm

Maximum footprint ø: 260 cm

Maximum load: 1,9 kg

Weight: 1,2 kg

Spigot: Type 2



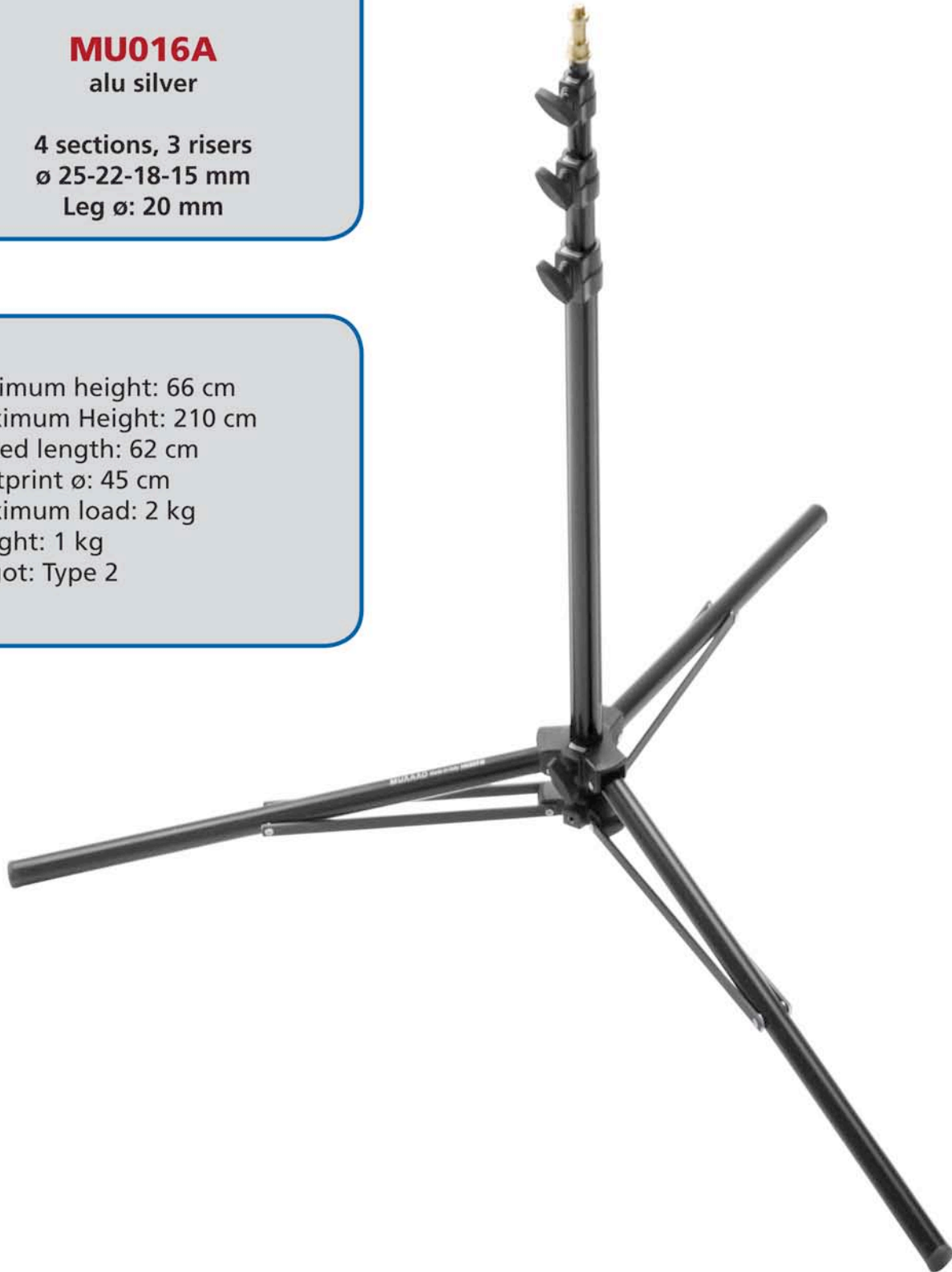
PROFESSIONAL LIGHTING SUPPORTS

MU016AB
alu black

MU016A
alu silver

4 sections, 3 risers
ø 25-22-18-15 mm
Leg ø: 20 mm

Minimum height: 66 cm
Maximum Height: 210 cm
Closed length: 62 cm
Footprint ø: 45 cm
Maximum load: 2 kg
Weight: 1 kg
Spigot: Type 2



MU010

IANIRO

MU010AB

alu black

MU010A

alu silver

4 sections, 3 risers

ø 25-22-18-15 mm

Leg ø: 20 mm

Minimum height: 70 cm
Maximum Height: 240 cm
Closed length: 67 cm
Footprint ø: 95 cm
Maximum load: 4 kg
Weight: 1,5 kg
Spigot: Type 2



PROFESSIONAL LIGHTING SUPPORTS

MU014AB

alu black

MU014A

alu silver

4 sections, 3 risers

ø 25-22-18-15 mm

Leg ø: 20 mm

Minimum height: 76 cm
Maximum Height: 260 cm
Closed length: 76 cm
Footprint ø: 106 cm
Maximum load: 5 kg
Weight: 1,7 kg
Spigot: Type 3



MU007

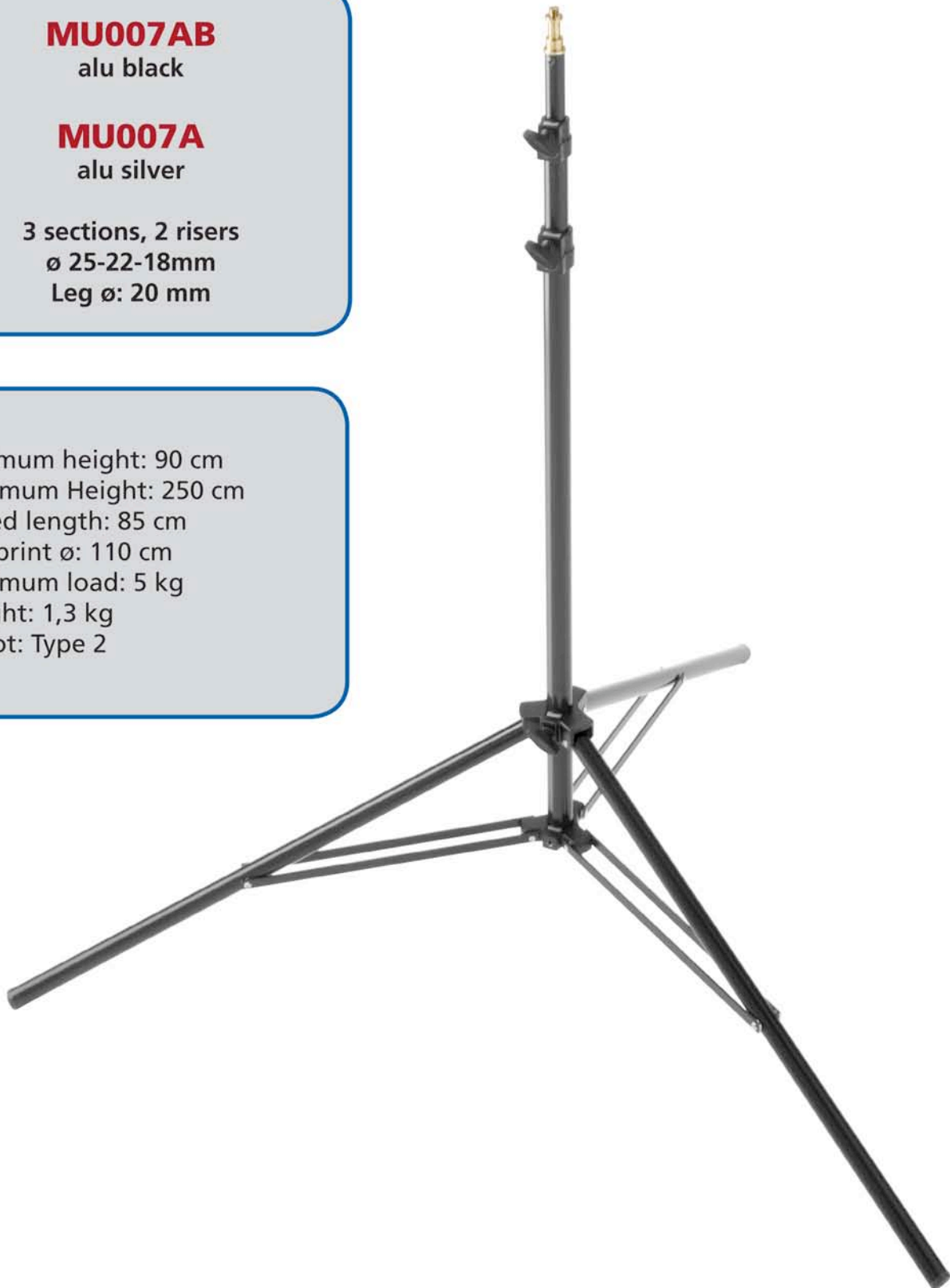
IANIRO

MU007AB
alu black

MU007A
alu silver

3 sections, 2 risers
ø 25-22-18mm
Leg ø: 20 mm

Minimum height: 90 cm
Maximum Height: 250 cm
Closed length: 85 cm
Footprint ø: 110 cm
Maximum load: 5 kg
Weight: 1,3 kg
Spigot: Type 2



PROFESSIONAL LIGHTING SUPPORTS

MU005AB

alu black

MU005A

alu silver

3 sections, 2 risers
ø 35-30-25 mm
Leg ø: 22 mm

Minimum height: 105 cm
Maximum Height: 295 cm
Closed length: 100 cm
Footprint ø: 110 cm
Maximum load: 10,5 kg
Weight: 2 kg
Spigot: Type 4 + spigot code 060
Wheels: available
Air cushioned: available

MU005SB

steel black

MU005X

stainless steel

3 sections, 2 risers
ø 35-30-25 mm
Leg ø: 22 mm

Minimum height: 105 cm
Maximum Height: 295 cm
Closed length: 100 cm
Footprint ø: 110 cm
Maximum load: 20 kg
Weight: 4,5 kg
Spigot: Type 4 + spigot code 060
Wheels: available



MU006

IANIRO

MU006AB

alu black

MU006A

alu silver

4 sections, 3 risers
ø 35-30-25-20 mm
Leg ø: 22 mm

Minimum height: 110 cm
Maximum Height: 385 cm
Closed length: 110 cm
Footprint ø: 110 cm
Maximum load: 9,5 kg
Weight: 2,5 kg
Spigot: Type 2
Wheels: available
Air cushioned: available

MU006SB

steel black

MU006X

stainless steel

4 sections, 3 risers
ø 35-30-25-20 mm
Leg ø: 22 mm

Minimum height: 110 cm
Maximum Height: 385 cm
Closed length: 110 cm
Footprint ø: 110 cm
Maximum load: 16 kg
Weight: 5 kg
Spigot: Type 2
Wheels: available



PROFESSIONAL LIGHTING SUPPORTS

MU003SB

steel black

MU003SCP

steel chrome plated

2 sections, 1 riser
ø 50-40 mm Leg ø: 30 mm
Memory collar included

Minimum height: 90 cm
Maximum Height: 150 cm
Closed length: 105 cm
Footprint ø: 109 cm
Maximum load: 40 kg
Weight: 6,5 kg
Spigot: Type 7
Wheels: available
Levelling leg: available



MU004

IANIRO

MU004AB

alu black

MU004A

alu silver

3 sections, 2 risers
ø 35-30-25 mm
Leg ø: 22 mm

Minimum height: 150 cm
Maximum Height: 380 cm
Closed length: 160 cm
Footprint ø: 110 cm
Maximum load: 15 kg
Weight: 6 kg
Spigot: Type 7
Wheels: available
One levelling leg

MU004SB

steel black

MU004SCP

steel chrome plated

3 sections, 2 risers
ø 35-30-25 mm
Leg ø: 22 mm

Minimum height: 150 cm
Maximum Height: 380 cm
Closed length: 160 cm
Footprint ø: 110 cm
Maximum load: 25 kg
Weight: 10 kg
Spigot: Type 7
Wheels: available
One levelling leg



PROFESSIONAL LIGHTING SUPPORTS

MU012SB

steel black

MU012SCP

steel chrome plated

3 sections, 2 risers

ø 50-40-35 mm

Leg ø: 30 mm

Minimum height: 145 cm

Maximum height: 300 cm

Closed length: 130 cm

Footprint ø: 140 cm

Maximum load: 35 kg

Weight: 6,2 kg

Spigot: Type 7

Wheels: available

Levelling leg: available



MU017

IANIRO

MU017AB

alu black

MU017A

alu silver

3 sections, 2 risers
ø 50-40-35 mm
Leg ø: 30 mm

Minimum height: 150 cm
Maximum Height: 380 cm
Closed length: 160 cm
Footprint ø: 130 cm
Maximum load: 15 kg
Weight: 5 kg
Spigot: Type 7
Wheels: available
Levelling leg: available

MU017SB

steel black

MU017SCP

steel chrome plated

3 sections, 2 risers
ø 50-40-35 mm
Leg ø: 30 mm

Minimum height: 170 cm
Maximum Height: 380 cm
Closed length: 180 cm
Footprint ø: 130 cm
Maximum load: 30 kg
Weight: 8 kg
Spigot: Type 7
Wheels: available
Levelling leg: available



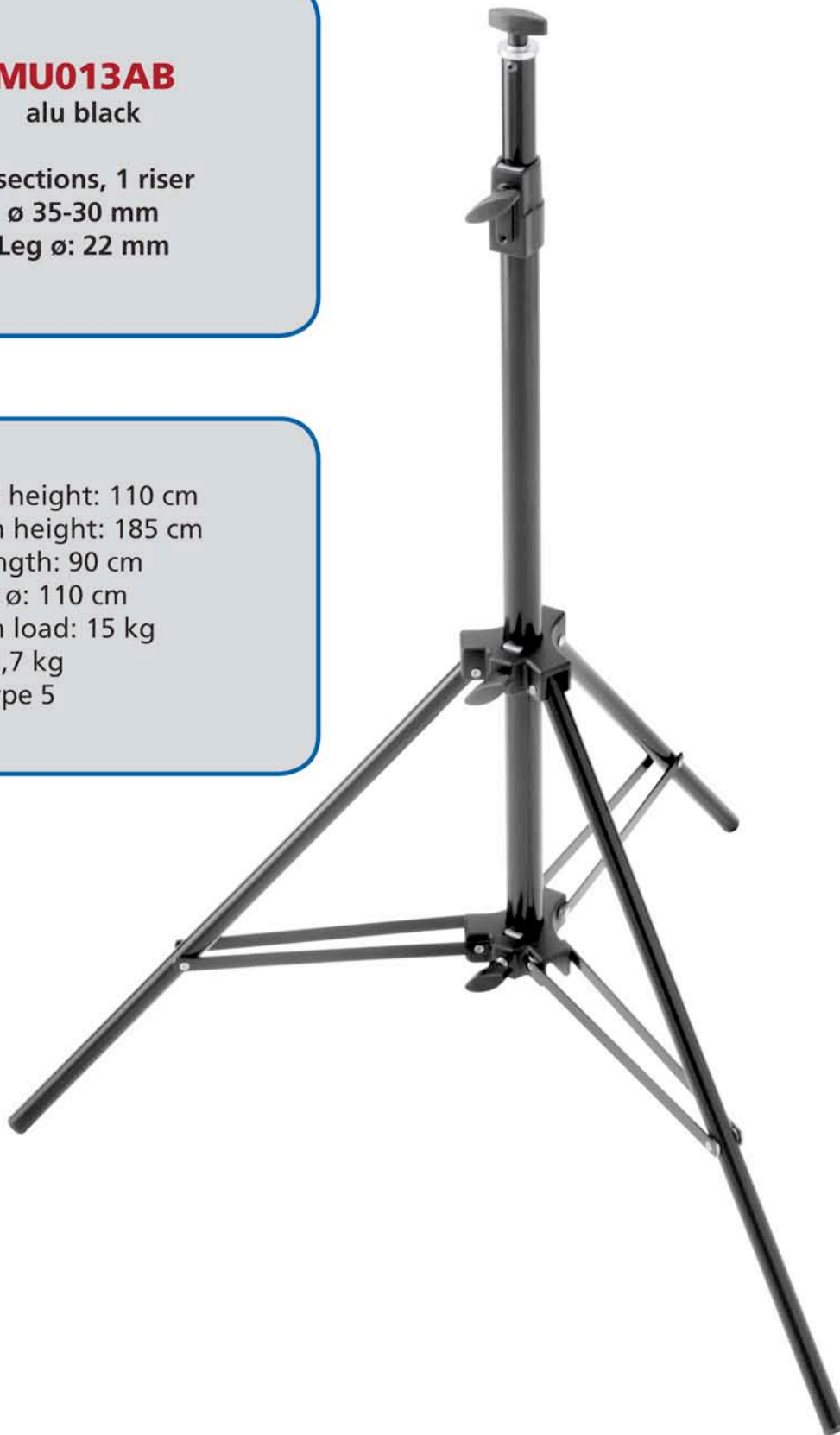
PROFESSIONAL LIGHTING SUPPORTS

MU013AB

alu black

2 sections, 1 riser
ø 35-30 mm
Leg ø: 22 mm

Minimum height: 110 cm
Maximum height: 185 cm
Closed length: 90 cm
Footprint ø: 110 cm
Maximum load: 15 kg
Weight: 1,7 kg
Spigot: Type 5



MU001

IANIRO

MU001AB

alu black

MU001A

alu silver

3 sections, 1 riser

ø 35-30 mm

Leg ø: 22 mm

Minimum height: 130 cm
Maximum Height: 215 cm
Closed length: 115 cm
Footprint ø: 120 cm
Maximum load: 15 kg
Weight: 5 kg
Spigot: Type 7
Wheels: available
One levelling leg

MU001SB

steel black

MU001SCP

steel chrome plated

2 sections, 1 riser

ø 35-30 mm

Leg ø: 22 mm

Minimum height: 130 cm
Maximum Height: 215 cm
Closed length: 115 cm
Footprint ø: 120 cm
Maximum load: 30 kg
Weight: 7 kg
Spigot: Type 7
Wheels: available
One levelling leg



PROFESSIONAL LIGHTING SUPPORTS

MU028AB

alu black

MU028A

alu silver

3 sections, 2 risers

ø 35-30-25 mm

Leg ø: 22 mm

Minimum height: 125cm
Maximum height: 325 cm
Closed length: 125 cm
Footprint ø: 120 cm
Maximum load: 15 kg
Weight: 5 kg
Spigot: Type 7
Wheels: available
One levelling leg

MU028SB

steel black

MU028SCP

steel chrome plated

3 sections, 2 risers

ø 35-30-25 mm

Leg ø: 22 mm

Minimum height: 125cm
Maximum height: 325 cm
Closed length: 125 cm
Footprint ø: 120 cm
Maximum load: 25 kg
Weight: 7,5 kg
Spigot: Type 7
Wheels: available
One levelling leg



MU002

IANIRO

MU002AB

alu black

MU002A

alu silver

3 sections, 2 risers
ø 40-35-30 mm
Leg ø: 22 mm

Minimum height: 130 cm
Maximum Height: 335 cm
Closed length: 130 cm
Footprint ø: 130 cm
Maximum load: 15 kg
Weight: 5,5 kg
Spigot: Type 7
Wheels: available
One levelling leg

MU002SB

steel black

MU002SCP

steel chrome plated

3 sections, 2 risers
ø 40-35-30 mm
Leg ø: 22 mm

Minimum height: 130 cm
Maximum Height: 335 cm
Closed length: 130 cm
Footprint ø: 130 cm
Maximum load: 40 kg
Weight: 8,5 kg
Spigot: Type 7
Wheels: available
One levelling leg



PROFESSIONAL LIGHTING SUPPORTS

MU032AB

alu black

2 sections, 1 riser
ø 30-25 mm



Minimum extension: 105 cm
Maximum extension: 180 cm
Closed length: 105 cm
Maximum load: 5 kg
Weight: 1,5 kg
Spigot: Type 1



MU029/030

IANIRO

MU029AB

alu black

3 sections, 2 risers
ø 28-25-22 mm

Minimum extension: 115 cm
Maximum extension: 300 cm
Closed length: 115 cm
Maximum load: 5 kg
Weight: 0,5 kg
Spigots on both ends: Type 4



MU030

transport kit bag

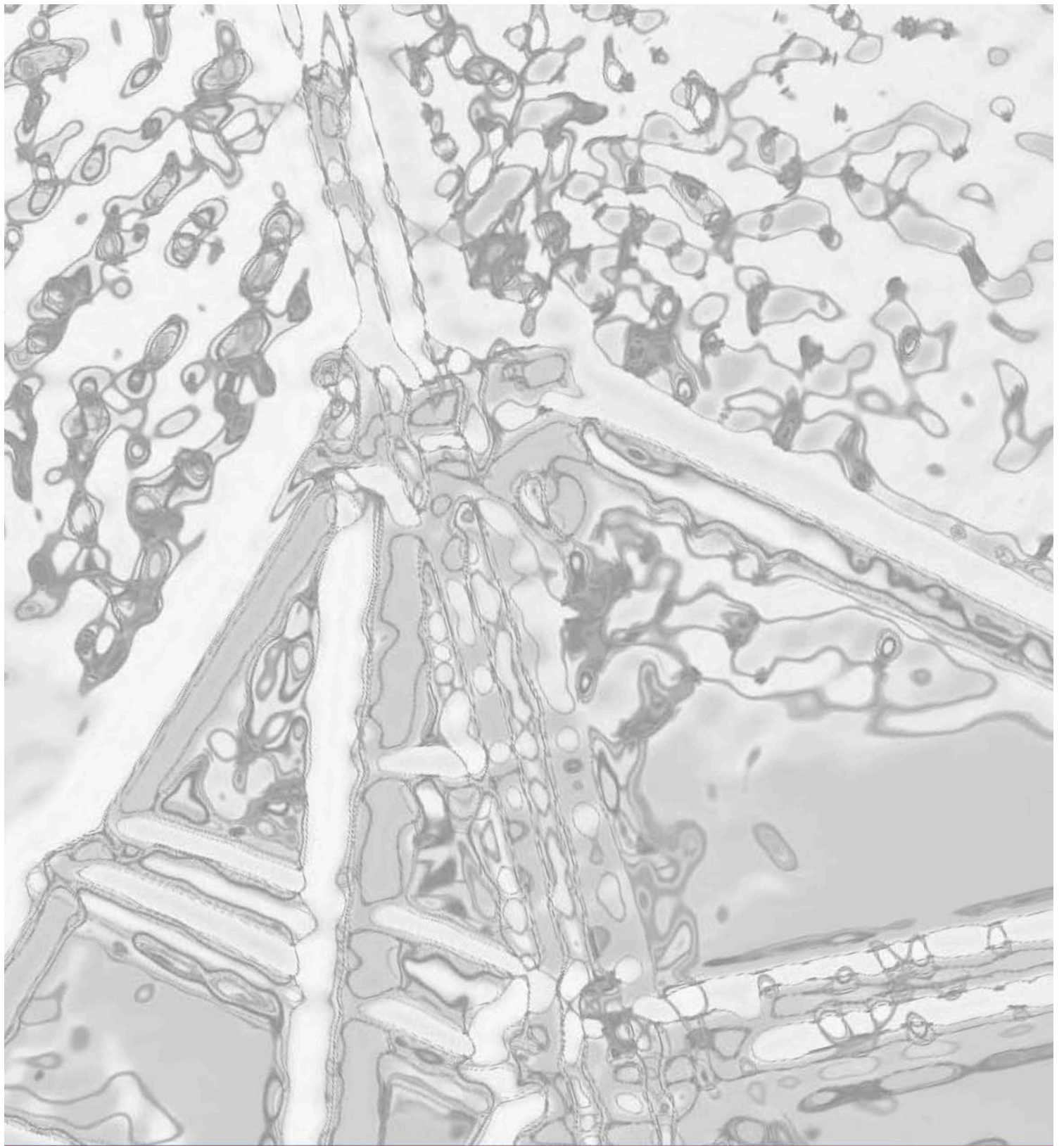


PROFESSIONAL LIGHTING SUPPORTS

MU031
transport kit:

- n.1 Telescopic pole code 029
- n.2 Stand code 007
- n.1 Trasport bag kit code 030





PROFESSIONAL LIGHTING SUPPORTS



MU500SCP

steel chrome plated

MU500SB

steel black

3 sections, 2 risers

ø 35-30-25 mm

Leg: 22x22 mm

Minimum height: 105 cm

Maximum Height: 225 cm

Closed length: 95 cm

Footprint ø: 90 cm

Maximum load: 25 kg

Weight: 5 kg

Spigot: Type 4

Wheels: available

Levelling leg: available



MU160

IANIRO

MU 160Z

zinc steel

MU 160X

stainless steel

MU 160SCP

steel chrome plated

3 sections, 2 risers

ø 35-30-25 mm

Leg ø: 22 mm

Minimum height: 120 cm

Maximum Height: 290 cm

Closed length: 100 cm

Footprint ø: 110 cm

Maximum load: 20 kg

Weight: 5 kg

Spigot: Type 4

Wheels: available

One levelling leg



PROFESSIONAL LIGHTING SUPPORTS

MU190SB steel black

4 sections, 3 risers
ø 35-30-25-20 mm
Leg ø: 22 mm

Minimum height: 135 cm
Maximum Height: 415 cm
Closed length: 115 cm
Footprint ø: 130 cm
Maximum load: 25 kg
Weight: 6,2 kg
Spigot: Type 3
Wheels: available
One levelling leg



MU120/130

IANIRO

MU120AB alu black

3 sections, 2 risers
ø 35-30-25 mm
Leg: 22x22 mm

Minimum height: 115 cm
Maximum Height: 270 cm
Closed length: 95 cm
Footprint ø: 130 cm
Maximum load: 11 kg
Weight: 3,6 kg
Spigot: Type 4
Wheels: available
Levelling leg: available

MU130AB alu black

4 sections, 3 risers
ø 35-30-25-20 mm
Leg: 22x22 mm

Minimum height: 90 cm
Maximum Height: 335 cm
Closed length: 90 cm
Footprint ø: 95 cm
Maximum load: 9 kg
Weight: 2,5 kg
Spigot: Type 4
Wheels: available
Levelling leg: available



PROFESSIONAL LIGHTING SUPPORTS

MU200SCP

steel chrome plated

MU200AB

alu black

2 sections, 1 riser
ø 50-40 mm
Leg: 30x30 mm

MU210SCP

steel chrome plated

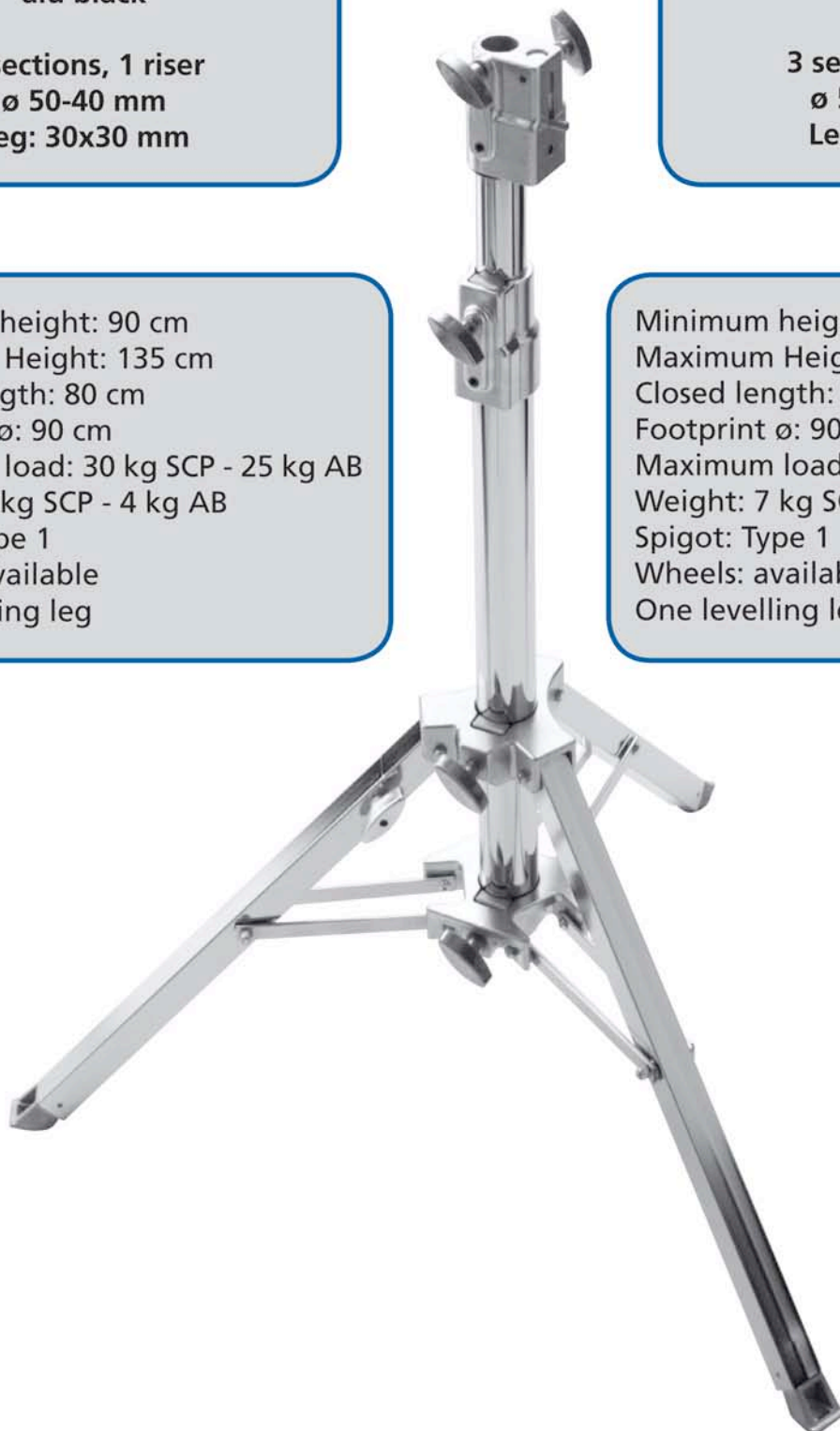
MU10AB

alu black

3 sections, 2 risers
ø 50-40-35 mm
Leg: 30x30 mm

Minimum height: 90 cm
Maximum Height: 135 cm
Closed length: 80 cm
Footprint ø: 90 cm
Maximum load: 30 kg SCP - 25 kg AB
Weight: 6 kg SCP - 4 kg AB
Spigot: Type 1
Wheels: available
One levelling leg

Minimum height: 100 cm
Maximum Height: 200 cm
Closed length: 90 cm
Footprint ø: 90 cm
Maximum load: 30 kg SCP - 25 kg AB
Weight: 7 kg SCP - 5 kg AB
Spigot: Type 1
Wheels: available
One levelling leg



MU220/230

IANIRO

MU220SCP

steel chrome plated

MU220AB

alu black

4 sections, 3 risers
ø 50-40-35-30 mm
Leg: 30x30 mm

MU230SCP

steel chrome plated

MU230AB

alu black

3 sections, 2 risers
ø 50-40-35 mm
Leg: 30x30 mm

Minimum height: 170 cm
Maximum Height: 410 cm
Closed length: 145 cm
Footprint ø: 135 cm
Maximum load: 40 kg SCP - 30 kg AB
Weight: 13 kg SCP - 8 kg AB
Spigot: Type 1
Wheels: available
One levelling leg

Minimum height: 160 cm
Maximum Height: 325 cm
Closed length: 135 cm
Footprint ø: 135 cm
Maximum load: 40 kg SCP - 30 kg AB
Weight: 10 kg SCP - 6 kg AB
Spigot: Type 1
Wheels: available
One levelling leg



PROFESSIONAL LIGHTING SUPPORTS

IANIRO

MU140/150

MU140SCP

steel chrome plated

MU140SB

steel black

4 sections, 3 risers
ø 50-40-35-30 mm
Leg: 30x30 mm

Minimum height: 199 cm
Maximum Height: 570 cm
Closed length: 195 cm
Footprint ø: 200 cm
Maximum load: 40 kg
Weight: 17 kg
Spigot: Type 1
Wheels: available
One levelling leg

MU150SCP

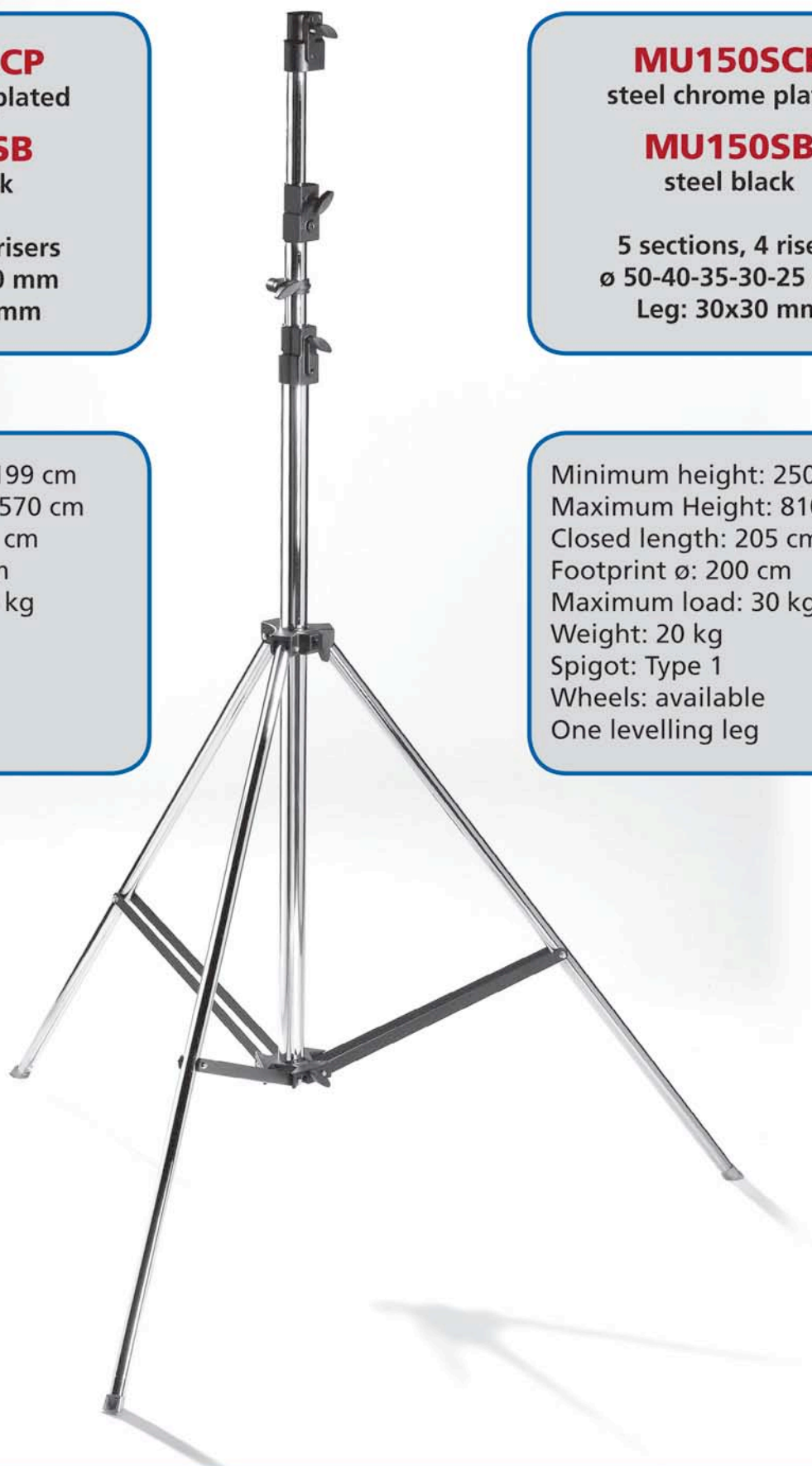
steel chrome plated

MU150SB

steel black

5 sections, 4 risers
ø 50-40-35-30-25 mm
Leg: 30x30 mm

Minimum height: 250 cm
Maximum Height: 810 cm
Closed length: 205 cm
Footprint ø: 200 cm
Maximum load: 30 kg
Weight: 20 kg
Spigot: Type 1
Wheels: available
One levelling leg



PROFESSIONAL LIGHTING SUPPORTS

MU321 - 40"
MU323 - 30"
MU325 - 20"

steel chrome plated
3 sections, 2 risers
ø 35 - 30 - 25 mm
Leg ø: 25 mm
fix leg

MU321

Minimum height: 130 cm
Maximum Height: 320 cm
Closed length: 120 cm
Footprint ø: 95 cm
Maximum load: 10 kg
Weight: 4,5 kg
Spigot: Type 6

MU323

Minimum height: 110 cm
Maximum Height: 250 cm
Closed length: 100 cm
Footprint ø: 95 cm
Maximum load: 10 kg
Weight: 4,5 kg
Spigot: Type 6

MU325

Minimum height: 80 cm
Maximum Height: 170 cm
Closed length: 80 cm
Footprint ø: 95 cm
Maximum load: 8 kg
Weight: 4 kg
Spigot: Type 6



MU320 - 40"
MU322 - 30"
MU324 - 20"

steel chrome plated
3 sections, 2 risers
ø 35 - 30 - 25 mm
Leg ø: 25 mm
one levelling leg

MU322

Minimum height: 110 cm
Maximum Height: 250 cm
Closed length: 100 cm
Footprint ø: 95 cm
Maximum load: 10 kg
Weight: 5,5 kg
Spigot: Type 6

MU320

Minimum height: 130 cm
Maximum Height: 325 cm
Closed length: 120 cm
Footprint ø: 95 cm
Maximum load: 10 kg
Weight: 4,5 kg
Spigot: Type 6

MU324

Minimum height: 80 cm
Maximum Height: 170 cm
Closed length: 80 cm
Footprint ø: 95 cm
Maximum load: 8 kg
Weight: 4 kg
Spigot: Type 6



MU330/331

IANIRO

MU330 - 40"
steel chrome plated

MU330X - 40"
stainless steel

1 section ø 16 mm
length: 1020 cm
weight: 1,65 Kg



MU331 - 20"
steel chrome plated

MU331X - 20"
stainless steel

1 section ø 16 mm
length: 510 cm
weight: 1,3 Kg



PROFESSIONAL LIGHTING SUPPORTS

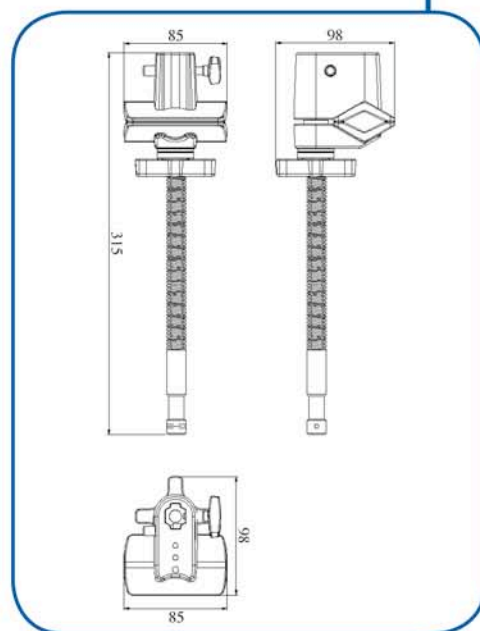
MU335

weight: 0,65Kg
Spigot: Type 4



MU019

IANIRO



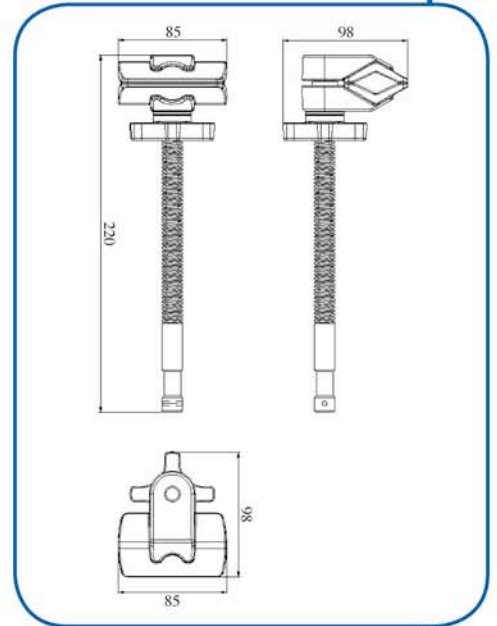
MU019
Maximum load: 25 kg
Weight: 0,8 kg
Spigot: Type 6
+ 5/8" hexagonal socket



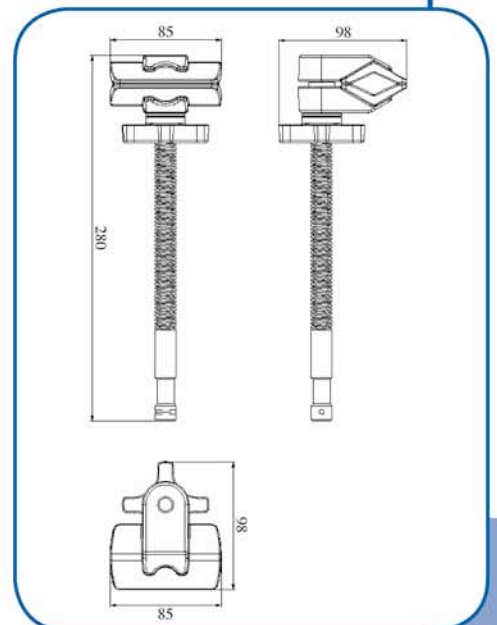
PROFESSIONAL LIGHTING SUPPORTS

IANIRO

MU018



MU018
Maximum load: 30 kg
Weight: 0,4 kg
Spigot: Type 6



MU018L
Maximum load: 25 kg
Weight: 0,6 kg
Spigot: Type 6



PROFESSIONAL LIGHTING SUPPORTS

Adapters



code 060

5/8" stud with 1/4" W and
3/8" W threads



code 061

female adaptor
5/8" to 17 mm



code 063

28 mm plate stud with
M10 thread

code 063-01

28 mm plate stud with
M12 thread



code 064

28 mm stud with
M10 thread

code 064-01

28 mm stud with
M12 thread

IANIRO

PROFESSIONAL LIGHTING SUPPORTS





IANIRO ALDO S.r.l.

Via Ragusa, 5 - 00041 Pavona (RM) - Italy
Tel. +39 06 9310198 Fax +39 06 93162162

www.ianiro.com

ianiro@ianiro.com