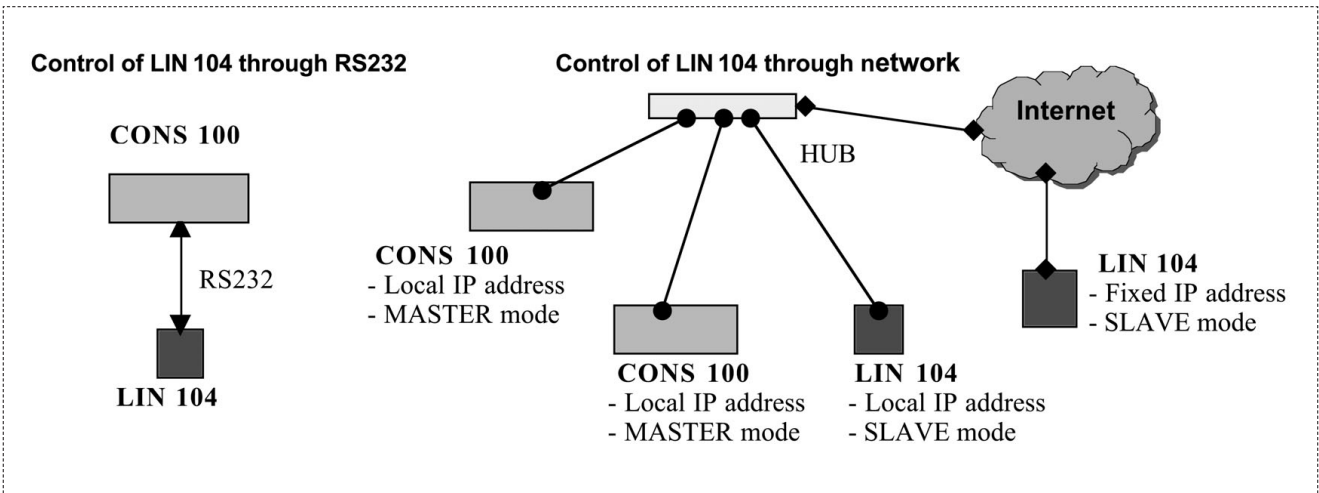


The apparatus LIN104 can be controlled by the CONS 100 console either through RS232 and through LAN.

To use the LIN 104 onto LAN or Internet it's necessary to set its internal IP address. This IP address must be the same setted onto CONS 100 as "Destination IP". In this case CONS 100 is programmed as "master" unit, whereas LIN 104 must be programmed as "slave" unit.

The software to program and set the IP address onto CONS100 and LIN 104, called DSE Manager, is available on the Elpro web site.

In the following example is described the management of LIN 104 by CONS 100.



As described in the following example, it's possible to control onto LAN and/or Internet, the LIN 104 by Virtual Serial Port in Windows O.S. created by the VSP Manager software. The VSP Manager software is available on the Elpro web site.

Otherwise, with other O.S., the protocols TCP/IP and UDP/IP can be directly used.

