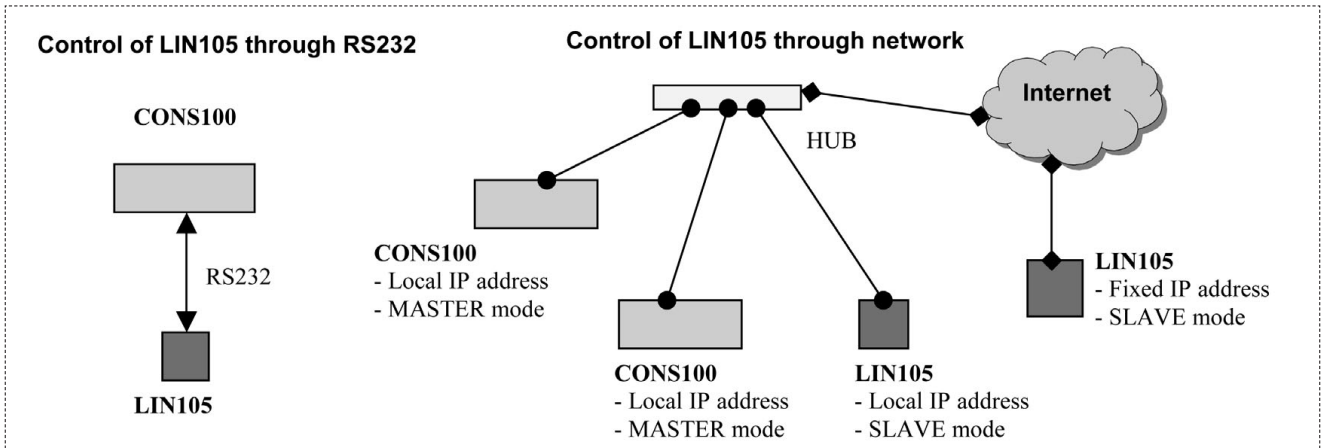


COMMUNICATION.

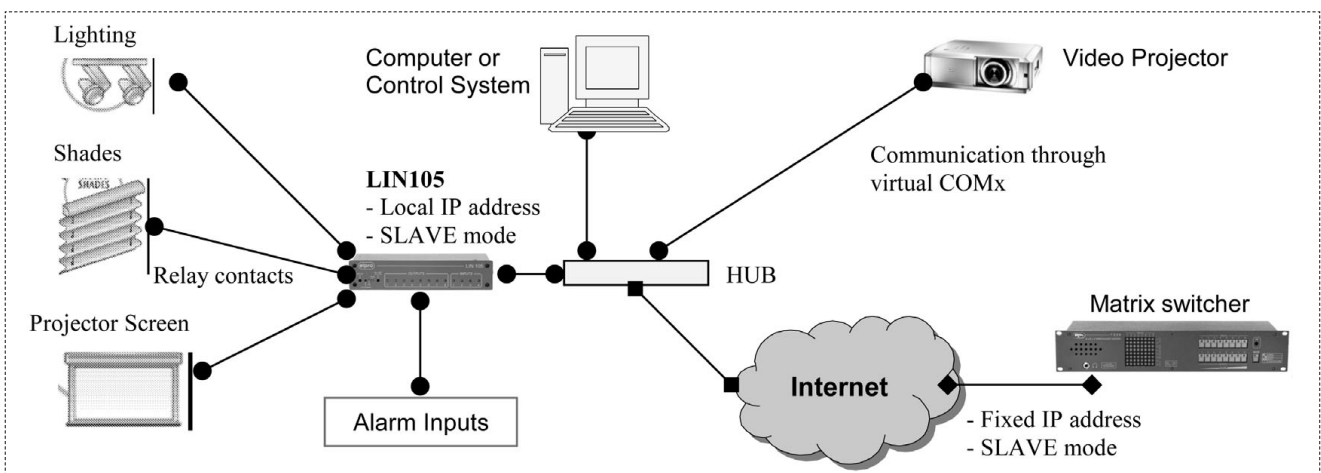
The apparatus LIN 105 can be controlled by the CONS100 console either through RS232 and through LAN. To use the LIN 105 onto LAN or Internet it's necessary to set its internal IP address. This IP address must be the same setted onto CONS 100 as "Destination IP". In this case CONS 100 is programmed as "master" unit, whereas LIN 105 must be programmed as "slave" unit.

The software to program and set the IP address onto CONS 100 and LIN 105, called DSE Manager, is available on the Elpro web site.

In the following example is described the management of LIN105 by CONS 100.



As described in the following example, LIN 105 inserted into a LAN/Internet network system, permits to control and automate an integrated system. If alarms, status and positions are recognized by LIN 105 inputs, then through LIN 105 out relays it is possible to command lighting, shades, screens and by LAN/Internet other devices. The editing of the commands is made under software control. The software is downloadable from Elpro web site.



DIGITAL INPUTS

The 4 inputs of LIN 105 can be activated by dry contacts or open collector. The schematics diagram of the inputs circuitry is the following:

