

## LMD-150

Sony introduces the LMD-150, a new 4:3 15-inch<sup>\*1</sup> LCD panel that enhances the exciting LUMA™ Series of two-piece LCD monitors.

The LMD-150 is used in combination with its associated signal-processing unit<sup>\*2</sup> (the MEU-WX1 Multiformat Engine Unit), accepting a variety of signal formats ranging from SD to HD video, analog and digital, as well as analog computer signals. The MEU-WX1 incorporates Sony's advanced X-Algorithm<sup>\*3</sup> I/P conversion technology - the central element that enables the LMD-150 monitor to reproduce extremely smooth images.

The LMD-150 monitor uses a multi-layer AR coating, which protects the face panel from scratches and minimizes reflections from ambient light.

Combined with the MEU-WX1, the LMD-150 is the optimum choice for applications that mainly use Standard Definition today, but that will require HD monitoring in the future.

<sup>\*1</sup> Viewable area measured diagonally.

<sup>\*2</sup> The LMD-150 must be used with one MEU-WX1 Multiformat Engine Unit, available as a separate product.

<sup>\*3</sup> X-Algorithm is used for 480/60i and 575/50i signal input only.



The Multiformat Engine Unit and Monitor Stand are optional.

## FEATURES

### Excellent Picture Reproduction

By nature, LCD panels operate in progressive mode, so displaying an interlace signal can be a difficult task. However, with the Sony LMD-150, this concern is a thing of the past. The X-Algorithm processing used in the MEU-WX1, Multiformat Engine Unit, intelligently converts interlaced signals to progressive signals, using a highly sophisticated algorithm. The result is extremely smooth diagonal picture edges, which can be technically difficult to reproduce on conventional LCD monitors.

### Excellent Brightness and Contrast (High Clarity Panel using Multi-Layer AR Coating)

### Wide Viewing Angle of 170 degrees

### Input Versatility

The MEU-WX1 Multiformat Engine Unit can accept the following SD or HD video formats:

- NTSC and PAL
- Component 480/60i and 575/50i
- Progressive 480/60p and 576/50p
- High definition 1080/50i, 1080/60i, 720/60p, 1080/24PsF, and 1080/25PsF

In addition, the analog composite and component interfaces are offered as standard. Digital interfaces such as HD-SDI, SD-SDI, and DV are offered as optional boards.

### Operational Convenience

The LMD-150/MEU-WX1 combination provides the convenient features for which Sony professional monitors are renowned, including:

- Advanced marker settings (Aspect Marker, Center Marker, and Safety Area)
- Color temperature/gamma selection
- Blue-only mode
- Three-color tally
- Protected controls
- H/V delay function
- Stereo audio monitoring
- Selectable scan size for video input and aspect ratio
- Mounting flexibility (19-inch EIA standard rack mounting<sup>\*4</sup> and VESA 75 x 75 mm spacings)

<sup>\*4</sup> Requires the optional MB-524 mounting bracket.

## OPTIONAL ACCESSORIES

BKM-220D  
BKM-243HS  
BKM-255DV  
SMF-600  
SU-558  
MB-524

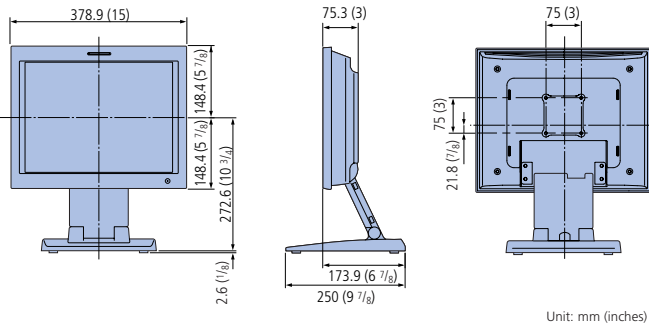
SDI 4:2:2 Input Adaptor  
HD/SD-SDI Input Adaptor  
DV Input Adaptor  
Display IF Cable (10m)  
Monitor Stand  
Mounting Bracket

# SPECIFICATIONS

LMD-150			
<b>Picture Performance</b>			
Type	a-Si TFT Active Matrix LCD with a multi-layer AR-coated protection panel		
Resolution	1024 x 768 dots		
Pixel efficiency	99.99%		
Dot pitch	0.297 x 0.297 mm		
Picture Size (H x W) (Diagonal)	Approx. 304 x 228 mm (12 x 9 inches) 15-inch (380 mm)		
Aspect	4:3		
Colors	16,770,000 colours		
Viewing Angle	85°/85°/85°/85° (typical) (up/down/left/right contrast>10:1)		
<b>Input</b>			
Display Input connector			
Digital input	DVI-D		
Dot clock	25.175 MHz	65.000 MHz	
Scanning Frequency	Horizontal	31.469 kHz	48.363 kHz
	Vertical	59.941 Hz	60.004 Hz
<b>General</b>			
Power Consumption	Approx. 35 W		
Power requirement	DC 16.5 V/12 V		
Operating Temperature	0 to 35 °C (32 to 95 °F)		
Operating Humidity	30 to 85% (no condensation)		
Storage & Transport Temperature	-10 to 40 °C (14 to 104 °F)		
Storage & Transport Humidity	0 to 90%		
Operating/Storage/Trans. Pressure	700 to 1060 hPa		
Dimensions (W x H x D)	379 x 297 x 70 mm*		
	15 x 11 2/3 x 2 3/4 inches*		
Mass	Approx. 4.4 Kg (9 lb 11 oz)**		
	Approx. 9.6 Kg (21 lb 3 oz)***		
Supplied Accessories	Display interface cable, Warranty card, Operating instructions		

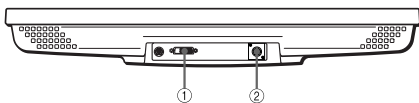
\* without the optional monitor stand and not including the projection parts  
 \*\* without the optional SU-558 monitor stand.  
 \*\*\* with the optional SU-558 monitor stand.

## DIMENSIONS



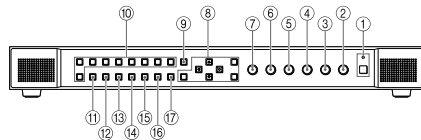
## CONNECTOR PANEL

### LMD-150 Front Connector



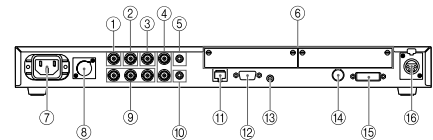
- ① DISPLAY SIGNAL IN
- ② DC IN jack

### MEU-WX1 Front Panel



- ① Power switch and indicator
- ② VOLUME
- ③ CONTRAST
- ④ PHASE
- ⑤ CHROMA
- ⑥ BRIGHT
- ⑦ APERTURE
- ⑧ Menu
- ⑨ EXT SYNC
- ⑩ Input select
- ⑪ APA (Auto Pixel Alignment)
- ⑫ SCAN
- ⑬ ASPECT
- ⑭ MARKER
- ⑮ BLUE ONLY
- ⑯ MONO
- ⑰ HV DELAY

### MEU-WX1 Rear Panel



- ① G/Y/COMPOSITE (BNC)
- ② B/Pb/S-Y (BNC)
- ③ R/Pr/S-C (BNC)
- ④ EXT SYNC IN/OUT (BNC)
- ⑤ AUDIO IN (stereo mini jack)
- ⑥ Optional input slot
- ⑦ AC IN
- ⑧ DC 12V IN (XLR)
- ⑨ Loop-through output (BNC)
- ⑩ AUDIO MONITOR OUT (stereo mini jack)
- ⑪ PARALLEL REMOTE (modular connector)
- ⑫ COMPUTER SIGNAL IN (D-sub 15 pin, female)
- ⑬ COMPUTER AUDIO (stereo mini jack)
- ⑭ Service terminal
- ⑮ DISPLAY SIGNAL OUT (XLR, female)
- ⑯ DISPLAY DC OUT (XLR, female)

MEU-WX1	
<b>Input/Output</b>	
Input	
Composite	BNC, Loop through, automatic 75 Ω termination (x3)
Y/C	1.0 Vp-p ±3 dB, sync negative
	S-Y: 1.0 Vp-p ±3 dB, sync negative
	S-C: 0.286 Vp-p ±3 dB (NTSC), 0.3 Vp-p ±3 dB (PAL)
Component	Y, PB, PR: 0.7 Vp-p ±3 dB
RGB	G: 0.7 Vp-p ±3 dB, Sync on G 0.3Vp-p
	B: 0.7 Vp-p ±3 dB
	R: 0.7 Vp-p ±3 dB
Audio in (for Video signals)	Stereo mini jack (x1)
OPTION A-1	-5 dBu, more than 47 kΩ
OPTION A-2	Option Slot (x1)
OPTION B-1	Option Slot (x1)
OPTION B-2	Option Slot (x1)
Ext. sync	BNC, Loop-through, automatic 75 Ω termination
	0.3 to 4 Vp-p ±3 dB, sync negative, usable tri-level sync signal 0.6 Vp-p ±3 dB
Computer	HD D-sub 15-pin (female) (x1)
	0.7 Vp-p, 75 Ω, positive (R,G,B)
Audio in (for computer signals)	Stereo mini jack (x1)
DC IN*	-5 dBu, more than 47 kΩ
	XLR 4-pin (male) (x1), 12 V, output impedance 0.05 Ω or less
Output	
Audio monitor out	Stereo mini jack (x1)
Speaker Out	Stereo (0.5 W + 0.5 W)
PARALLEL Remote	Modular 8-pin (Assignable)
Display Signal Out	Exclusive connector (x1)
Display DC Out	XLR 4-pin (female) (x1), DC 16.5 V (when AC power is supplied)
	DC 12 V (when DC power is supplied)
<b>Video</b>	
Horizontal Scanning Frequency	15 to 45 kHz
Frame Scanning Frequency	48 to 60 Hz
<b>Computer</b>	
Dot clock	110 MHz
Horizontal Scanning Frequency	28 to 69 kHz
Vertical Scanning Frequency (frame)	60 to 85 Hz
Plug & Play	DDC-2B
<b>General</b>	
Power consumption	MEU with LMD-150: Approx. 58 W (without option boards)
	MEU only: Approx. 23 W (without option boards)
Power requirement	AC 100 to 240 V±10%, 50/60 Hz, DC 12 V
Operating Temperature	0 to 35 °C (32 to 95 °F)
Operating Humidity	30 to 85% (no condensation)
Storage and Trans. Temperature	-10 to 40 °C (14 to 104 °F)
Storage & Transport Humidity	0 to 90%
Operating/Storage/Trans. Pressure	700 to 1060 hPa
Dimensions (W x H x D) excluding protrusions	434 x 44 x 305 mm (17 1/8 x 1 3/4 x 12 1/8 inches)
Mass	Approx. 4.5 Kg (9 lb 15 oz)**
Supplied Accessories	AC cord, AC plug holder, Mounting bracket, Operating instructions, CD-ROM, Warranty card

\*This connector is used to supply external DC power to the LMD-150 via the MEU.  
 \*\*Excluding supplied accessories.

## Distributed by

©2004 Sony Corporation. All rights reserved.  
 Reproduction in whole or in part without permission is prohibited.  
 Features and specifications are subject to change without notice.  
 All non-metric weights and measurements are approximate.  
 Images on monitors are simulated.  
 Sony and LUMA are trademarks of Sony Corporation.  
 All other trademarks are the property of their respective owners.