

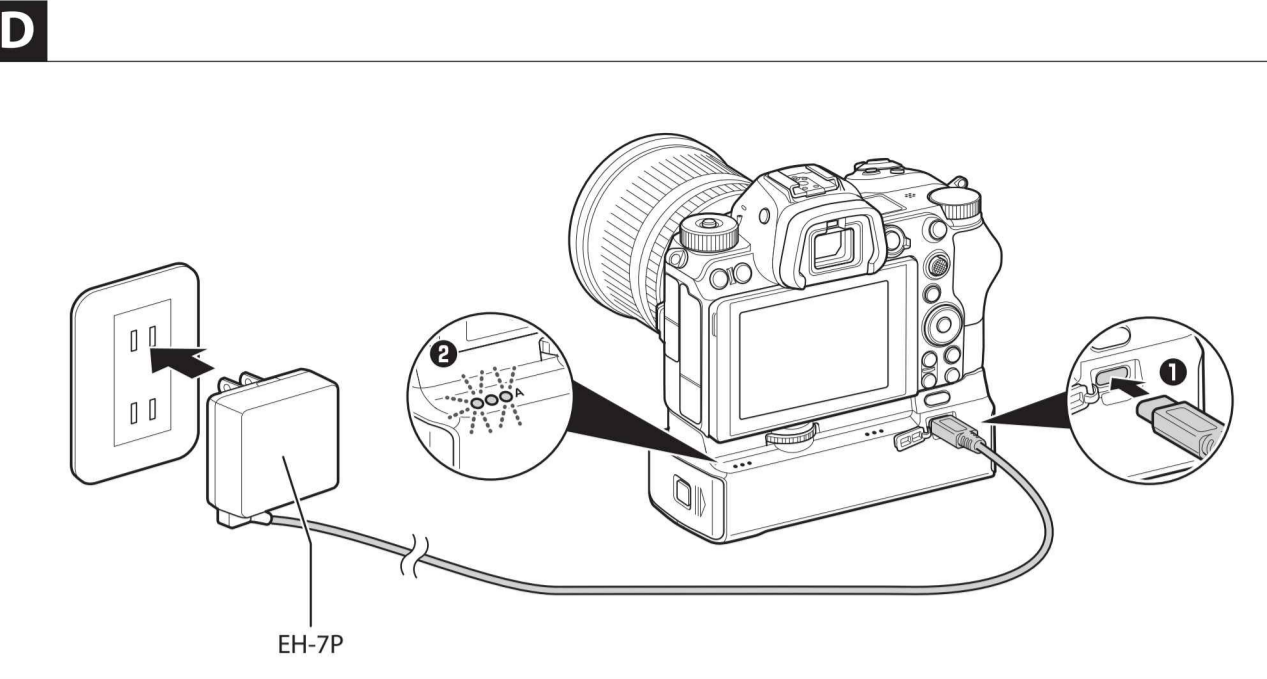
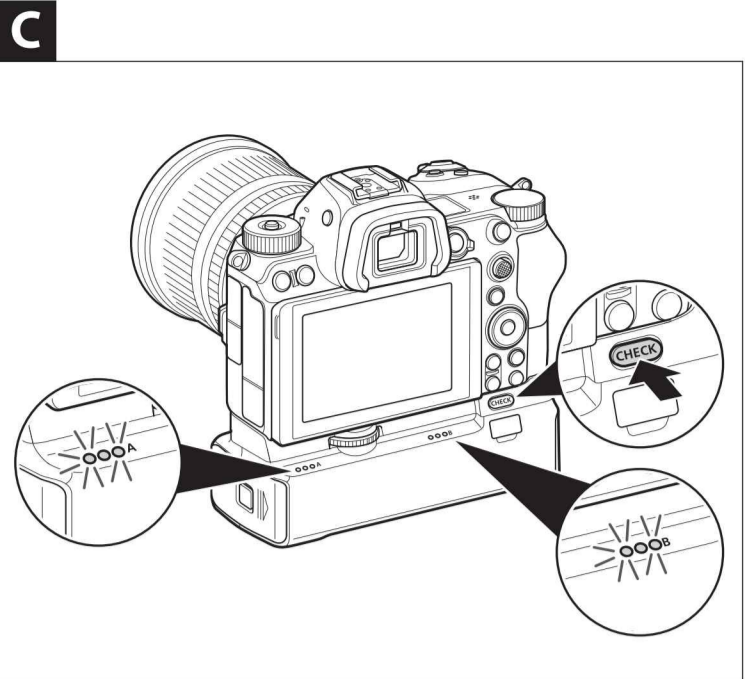
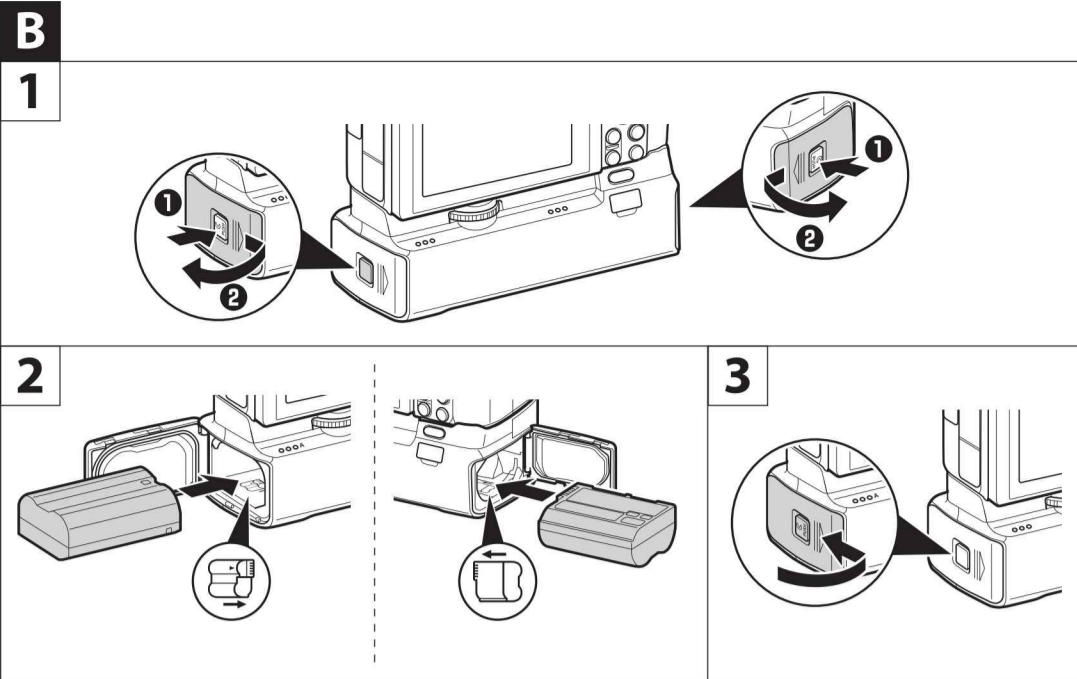
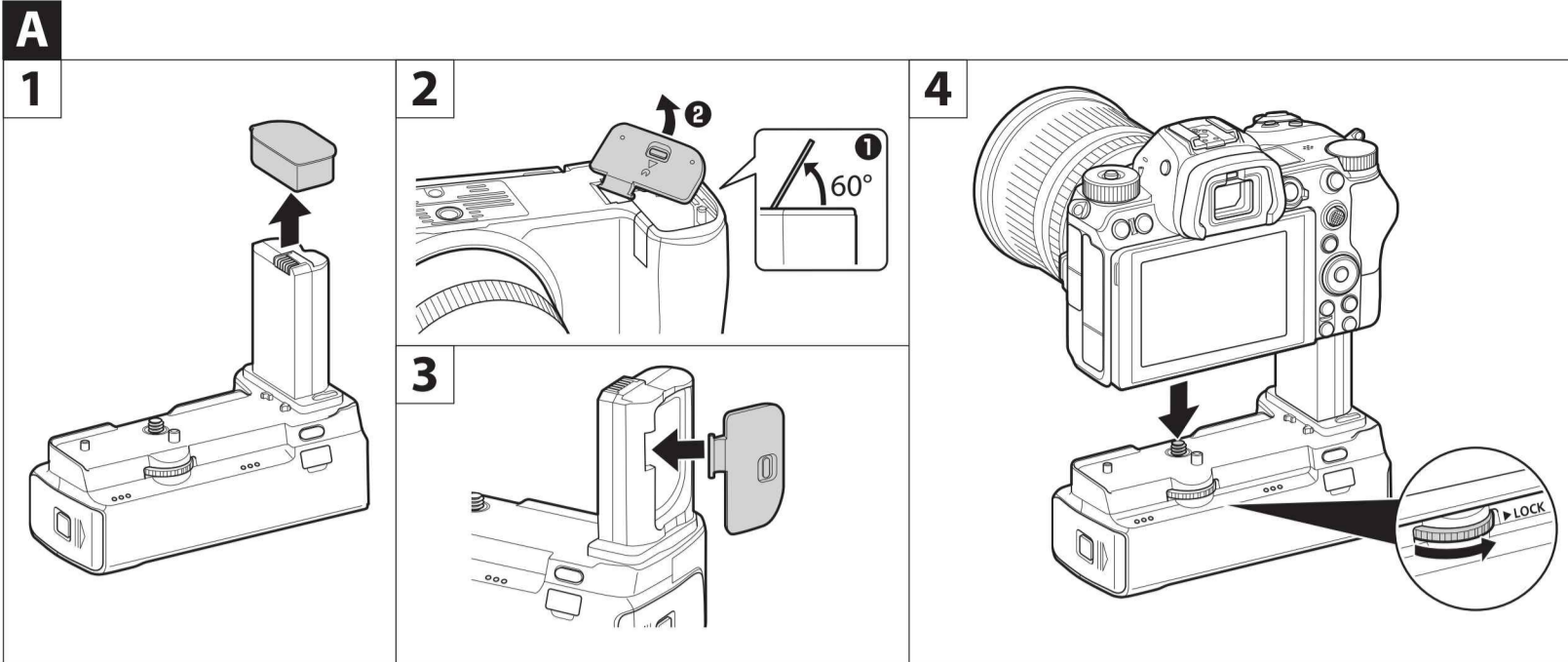
MB-N10

User's Manual



En Fr Es

NIKON CORPORATION

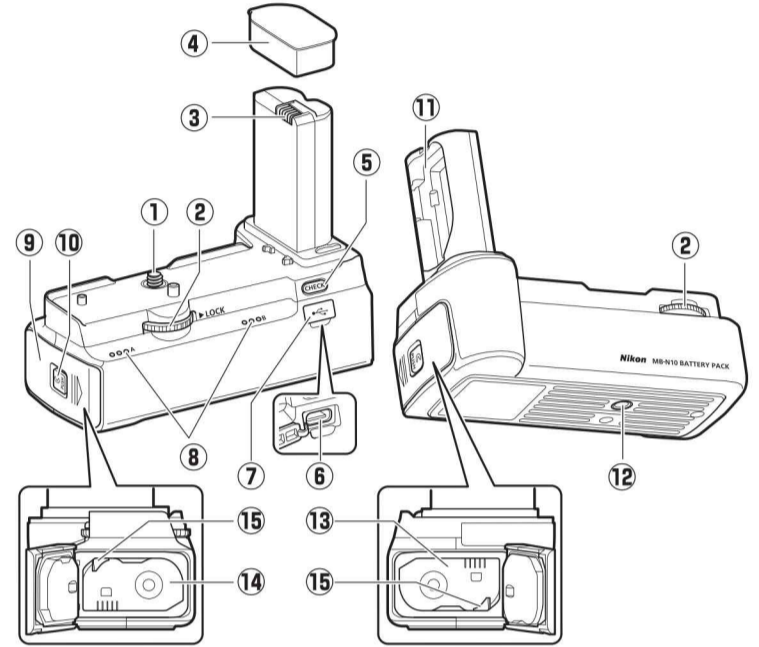


Battery Pack User's Manual

Thank you for purchasing an MB-N10 battery pack. Mounted on a Z 7 or Z 6 mirrorless camera, the MB-N10 allows the use of two EN-EL15b rechargeable Li-ion batteries. The EH-7P charging AC adapter (available separately) connected to the MB-N10's charging connector can be used to charge the batteries without removing them from the battery pack. Before using this product, please read these instructions carefully. You will also need to consult the camera manual.

Parts of the Battery Pack: Names and Functions

See below for the names and functions of the parts of MB-N10.



1 Mounting screw	Use when mounting the MB-N10 on the camera.	See A
2 Attachment wheel	—	—
3 Power contacts	—	—
4 Contact cap	Protects the MB-N10's power contacts.	See A
5 Battery level display button	Press to view the battery level LED display.	See C
6 Charging connector	Use when charging batteries in the MB-N10.	See D
7 Charging connector cover	Use when charging batteries in the MB-N10.	See D
8 LEDs (x2)	Light to show battery level when the battery level display button is pressed. The LEDs also flash while the battery is charging.	See C , D
9 Battery-chamber covers (x2)	—	—
10 Battery-chamber cover latches (x2)	—	—
11 Battery-chamber cover holder	Holds the camera battery-chamber cover once it has been removed from the camera.	See A
12 Tripod socket	—	—
13 Battery Chamber B	Each battery chamber holds one EN-EL15b rechargeable Li-ion battery.	See B
14 Battery Chamber A	—	—
15 Battery latches (x2)	Latch the batteries in place.	See B

For Your Safety

To prevent damage to property or injury to yourself or to others, read "For Your Safety" in its entirety before using this product.

Keep these safety instructions where all those who use this product will read them.

⚠ DANGER: Failure to observe the precautions marked with this icon carries a high risk of death or severe injury.

⚠ WARNING: Failure to observe the precautions marked with this icon could result in death or severe injury.

⚠ CAUTION: Failure to observe the precautions marked with this icon could result in injury or property damage.

WARNING

• Do not disassemble or modify this product.
• Do not touch internal parts that become exposed as the result of a fall or other accident.

Failure to observe these precautions could result in electric shock or other injury.

• Should you notice any abnormalities such as the product producing smoke, heat, or unusual odors, immediately disconnect the batteries or power source.

Continued operation could result in fire, burns or other injury.

Keep dry.

• Do not handle with wet hands.
• Do not handle the plug with wet hands.

Failure to observe these precautions could result in fire or electric shock.

• Do not immerse in or wash with water.
• Do not use in heavy rain.

Failure to observe these precautions could result in fire or electric shock.

• Do not let your skin remain in prolonged contact with this product while it is on or plugged in.
Failure to observe this precaution could result in low-temperature burns.

• Do not use this product in the presence of flammable dust or gas such as propane, gasoline or aerosols.
Failure to observe this precaution could result in explosion or fire.

Keep this product out of reach of children.

Failure to observe this precaution could result in injury or product malfunction. In addition, note that small parts constitute a choking hazard. Should a child swallow any part of this product, seek immediate medical attention.

• Do not use wet batteries, chargers, or AC adapters not specifically designated for use with this product.

When using batteries, chargers, and AC adapters designated for use with this product, do not:

• Damage, modify, forcibly tug or bend the cords or cables, place them under heavy objects, or expose them to heat or flame.

• Use travel converters or adapters designed to convert from one voltage to another or with DC-to-AC inverters.

Failure to observe these precautions could result in fire or electric shock.

Do not handle the plug when charging the product or using the AC adapter during thunderstorms.

Failure to observe this precaution could result in electric shock.

CAUTION

• Remove the battery and disconnect the AC adapter if this product will not be used for an extended period.
Failure to observe this precaution could result in fire or product malfunction.

CAUTION

• Do not leave the product where it will be exposed to extremely high temperatures, for an extended period such as in an enclosed automobile or in direct sunlight.
Failure to observe this precaution could result in fire or product malfunction.

• Do not transport cameras or lenses with tripods or similar accessories attached.
Failure to observe this precaution could result in injury or product malfunction.

DANGER (Batteries)

• Do not mishandle batteries.
Failure to observe the following precautions could result in the batteries leaking, overheating, rupturing, or catching fire.

• Use only rechargeable batteries approved for use in this product.
• Do not expose batteries to flame or excessive heat.
• Do not disassemble.
• Do not short-circuit the terminals by touching them to necklaces, hairpins, or other metal objects.
• Do not expose batteries or the products in which they are inserted to powerful physical shocks.
• Do not step on batteries, pierce them with nails, or strike them with hammers.

• Charge only as indicated.
Failure to observe this precaution could result in the batteries leaking, overheating, rupturing, or catching fire.

• If battery liquid comes into contact with the eyes, rinse with plenty of clean water and seek immediate medical attention.
Delaying action could result in eye injuries.

WARNING (Batteries)

• Keep batteries out of reach of children.
Should a child swallow a battery, seek immediate medical attention.

• Keep batteries out of reach of household pets and other animals.
The batteries could leak, overheat, rupture, or catch fire if bitten, chewed, or otherwise damaged by animals.

• Do not immerse batteries in water or expose to rain.
Failure to observe this precaution could result in fire or product malfunction. Immediately dry the product with a towel or similar object should it become wet.

• Discourage use immediately should you notice any changes in the batteries, such as discoloration or deformation.
Cease charging EN-EL15b rechargeable batteries if they do not charge in the specified period of time.
Failure to observe these precautions could result in the batteries leaking, overheating, rupturing, or catching fire.

• When batteries are no longer needed, insulate the terminals with tape.
Overheating, rupture, or fire may result should metal objects come into contact with the terminals.

• If battery liquid comes into contact with a person's skin or clothing, immediately rinse the affected area with plenty of clean water.
Failure to observe this precaution could result in skin irritation.

Notices for Customers in the U.S.A.

This device complies with part 15 of the FCC Rules. Operation is subject to the following two conditions: (1) this device may not cause harmful interference, and (2) this device must accept any interference received, including interference that may cause undesired operation.

Federal Communications Commission (FCC) Radio Frequency Interference Statement

Note: This equipment has been tested and found to comply with the limits for a Class B digital device, pursuant to part 15 of the FCC Rules. These limits are designed to provide reasonable protection against harmful interference in a residential installation. This equipment generates, uses and can radiate radio frequency energy and, if not installed and used in accordance with the instructions, may cause harmful interference to radio communications. However, there is no guarantee that interference will not occur in a particular installation. If this equipment does cause harmful interference to radio or television reception, which can be determined by turning the equipment off and on, the user is encouraged to try to correct the interference by one or more of the following measures:

• Reorient or relocate the receiving antenna.
• Increase the separation between the equipment and receiver.
• Connect the equipment into an outlet on a circuit different from that to which the receiver is connected.
• Consult the dealer or an experienced radio/TV technician for help.

CAUTIONS

Modifications

The FCC requires the user to be notified that any changes or modifications made to this device that are not expressly approved by Nikon Corporation may void the user's authority to operate the equipment.

Nikon Inc., 1300 Walt Whitman Road, Melville, New York 11747-3064, U.S.A. Tel: 631-547-4200

Notice for Customers in Canada

CAN ICES-3 B / NMB-3 B

Attaching the MB-N10

Turn the camera off before attaching the MB-N10.

1 Remove the contact cap from the MB-N10 (Figure A-1).

Store the cap in a safe place to prevent loss.

2 Remove the battery-chamber cover from the bottom of the camera (Figure A-2) and place it in the MB-N10's battery-chamber cover holder (Figure A-3).

Remove the battery from the camera.

3 Mount the MB-N10 on the camera (Figure A-4).

Rotate the attachment wheel in the direction shown by the **LOCK** arrow to fix the battery pack in place.

Removing the MB-N10

To remove the MB-N10, turn the camera off and rotate the attachment wheel in the direction opposite to that shown by the **LOCK** arrow. After removing the MB-N10, take the battery-chamber cover from the battery-chamber cover holder and replace it on the camera.

• Be sure to replace the contact cap when the battery pack is not in use.

Inserting Batteries

The MB-N10 takes up to two EN-EL15b rechargeable Li-ion batteries. Turn the camera off before inserting batteries.

1 Keeping the battery-chamber cover latch pressed, slide the battery-chamber cover open (Figure B-1).

2 Insert the batteries as shown by the labels in the battery chambers (Figure B-2).

Using the battery to keep the battery latch pressed to one side, slide each battery into the chamber until the latch locks it in place.

3 Press the battery-chamber cover down and slide it closed (Figure B-3).

When two batteries are inserted:

• The camera draws power first from the battery in Chamber A. When the battery in Chamber A is empty, the camera switches to the battery in Chamber B.

• Batteries can be removed and reinserted one at a time while the camera is on without interrupting shooting, which helps during time-lapse movie recording and on other occasions when the camera will be used continuously for long periods.

Camera Warning Displays

The camera may display the following warnings when a battery pack is connected:

• If the camera displays the message, **Shutter release disabled. Recharge battery**, be sure to turn the camera off and replace the battery.

• If the camera displays the message, **Error. Press shutter-release button to reset**, press the shutter-release button. If the message appears frequently or does not clear from the display after you press the shutter-release button, contact a Nikon-authorized service representative.

The Battery Level Display

The LEDs will show battery level for about 10 seconds after the battery level display button is pressed (Figure C).

○ (on) ○ (on) ○ (on) Battery fully charged.
● (off) ○ (on) ○ (on) Battery partially discharged.

● (off) ● (off) ○ (on) Low battery. Ready fully-charged spare battery or prepare to charge battery.

● (off) ● (off) ● (off) Battery exhausted. Replace or recharge battery.

The battery level for the battery currently in use is also shown on the camera.

Charging Batteries in the MB-N10

Batteries can be charged while inserted in the MB-N10 as described below.

1 Connect the EH-7P charging AC adapter (available separately) to the charging connector (Figure D-1).

• Only EN-EL15b batteries can be charged using the EH-7P.

• If the MB-N10 is connected to the camera, turn the camera off to charge the batteries. The batteries will not charge while the camera is on.

• An EH-7P is supplied with the Z 7 mirrorless camera.

• The shape of the EH-7P varies with the country or region of sale.

2 Plug the EH-7P into a power outlet.

The three LEDs for the current battery flash simultaneously during charging (Figure D-2) and turn off when charging is complete. To check the current battery level, press the battery level display button.

• If two batteries are inserted, the battery in Chamber B will charge first.

Note the following when charging batteries using the EH-7P:

• The batteries will not charge if the EH-7P is connected to the camera USB connector while the MB-N10 is in place. To charge the batteries, connect the EH-7P to the MB-N10's charging connector.

• The LEDs will flash quickly for about ten seconds if the batteries cannot be charged, for example because they are not a supported type or because their temperature is elevated.

Precautions for Use

Observe the following precautions when using the MB-N10:

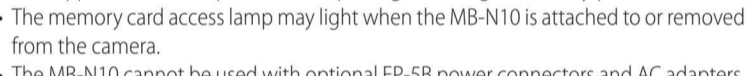
• The MB-N10 is for use with compatible cameras only.

• To prevent metal objects or other conductors shorting the power contacts, replace the supplied contact cap before transporting or storing the battery pack.

• The memory card access lamp may light when the MB-N10 is attached to or removed from the camera.

• The MB-N10 cannot be used with optional EP-5B power connectors and AC adapters.

• To mount the camera on a tripod when both the MB-N10 and an optional FTZ mount adapter are attached, use the socket on the lens or MB-N10 and not that on the FTZ.



Specifications

Power source EN-EL15b rechargeable Li-ion batteries * (x2)
* One to two EN-EL15b rechargeable Li-ion batteries; EN-EL15a/EN-EL15 batteries can also be used, but note that battery endurance (the number of pictures or length of movie footage that can be recorded on a single charge) may be reduced.

Charging time Approx. 5 hours and 10 minutes
• This figure is the time required to charge two fully-charged EN-EL15b batteries at an ambient temperature of 25 °C (77 °F).
• The EH-7P cannot be used to charge EN-EL15a or EN-EL15 batteries. Use a compatible battery charger.

Charging connector USB Type-C connector. Can be used only with EH-7P charging AC adapters; cannot be used for image transfer or to connect the camera to other devices.

Operating temperature 0 °C ~ 40 °C (32 °F ~ 104 °F)

Dimensions (W × H × D) Approx. 135.5 × 106.5 × 68 mm (5.4 × 4.2 × 2.7 in.)

Weight • Approx. 460 g/1 lb 0.3 oz (with two EN-EL15 batteries)
• Approx. 300 g/10.6 oz (MB-N10 only)

Nikon reserves the right to change the appearance, specifications, and performance of this product at any time and without prior notice.

Battery Endurance

The number of shots and length of movie footage that can be recorded by the camera using an MB-N10 with two fully-charged EN-EL15b batteries inserted are as follows:

• Number of shots (photo mode) ¹
• [Viewfinder only] selected for monitor mode: Approx. 610 (Z 7) or 570 (Z 6)
• [Monitor only] selected for monitor mode: Approx. 740 (Z 7) or 700 (Z 6)

• Number of minutes movie footage (movie mode) ²
• [Monitor only] selected for monitor mode: Approx. 155 (Z 7/Z 6)
• [Monitor only] selected for movie mode: Approx. 155 (Z 7/Z 6)

1 CIPA standard. Measured at 23 °C/73.4 °F (±2 °C/33.6 °F) with a NIKKOR Z 24–70mm f/4 S lens under the following test conditions: one photograph taken at default settings once every 30 s.

2 Measured at 23 °C/73.4 °F (±2 °C/33.6 °F) with the camera at default settings and a NIKKOR Z 24–70mm f/4 S lens under conditions specified by the Camera and Imaging Products Association (CIPA).

• Individual movies can be up to 29 minutes 59 seconds in length.
• Recording may end before these limits are reached if the camera temperature rises.

Note: EN-EL15a/EN-EL15 batteries can also be used, but note that you may not be able to take as many pictures on a single charge.

Note: Endurance varies with the condition of the battery, the temperature, the interval between shots, and the length of time menus are displayed.

Low Temperature Use

EN-EL15b, EN-EL15a, and EN-EL15 batteries may be unable to power the camera at temperatures below about 10 °C (50 °F) when partially depleted. Use fully-charged batteries and replace them with warm spares as necessary. Batteries that have been rendered temporarily unusable by low temperatures may regain their function once their temperature returns to normal.

Bloc alimentation Manuel d'utilisation

Nous vous remercions d'avoir fait l'acquisition d'un bloc alimentation MB-N10.

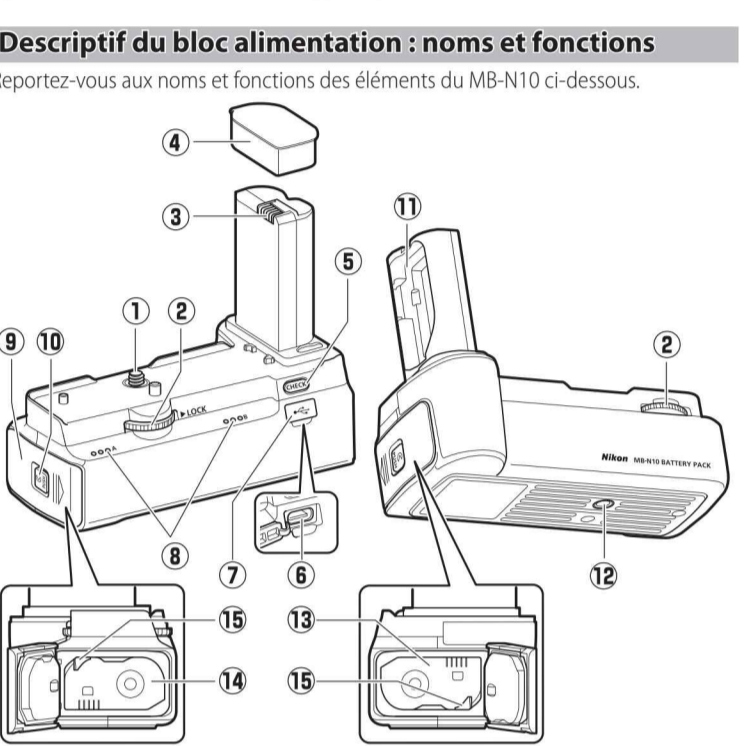
Lorsqu'il est fixé à un appareil photo hybride Z 7 ou Z 6, le MB-N10 permet d'utiliser deux accumulateurs Li-ion EN-EL15b.

L'adaptateur de charge EH-7P (disponible séparément) raccorde au connecteur de charge du MB-N10 permet de recharger les accumulateurs sans les retirer du bloc alimentation.

Avant d'utiliser ce produit, veuillez lire ces instructions attentivement. Vous devez également consulter le manuel de l'appareil photo.

Descriptif du bloc alimentation: noms et fonctions

Reportez-vous aux noms et fonctions des éléments du MB-N10 ci-dessous.



1 Vis de montage Utilisez-le lorsque vous fixez le MB-N10 à l'appareil photo.

2 Bague de fixation —

3 Contacts —

4 Bouchon des contacts Protège les contacts d'alimentation du MB-N10.

5 Bouton d'affichage du niveau de charge des accumulateurs Appuyez sur ce bouton pour allumer les témoins lumineux qui indiquent le niveau de charge des accumulateurs.

6 Connecteur de cache du connecteur de charge Utilisez ce connecteur lorsque vous rechargez les accumulateurs dans le MB-N10.

7 Témoins lumineux (x2) S'allument pour indiquer le niveau de charge des accumulateurs lorsque vous appuyez sur le bouton d'affichage du niveau de charge des accumulateurs. Les témoins lumineux clignotent également pendant le chargement des accumulateurs.

8 Volet du logement pour accumulateur —

9 Lequet du volet du logement pour accumulateur (x2) Permet de ranger le volet du logement pour accumulateur de l'appareil photo une fois que vous l'avez retiré de l'appareil photo.

10 Support du volet pour accumulateur Permet de maintenir en place l'accumulateur.

11 Filetage pour fixation sur trépied —

12 Logement pour accumulateur B Chaque logement pour accumulateur contient un accumulateur Li-ion EN-EL15b.

13 Logement pour accumulateur A —

14 Lequet de l'accumulateur (x2) Permet de maintenir en place l'accumulateur.

Pour votre sécurité

Afin d'éviter de provoquer des dommages matériels ou de vous blesser ou de blesser un tiers, lisez intégralement « Pour votre sécurité » avant d'utiliser ce produit.

Conservez ces consignes de sécurité dans un endroit facilement accessible à tous ceux qui pourraient se servir de ce produit.

⚠ DANGER: Le non-respect des consignes indiquées par cette icône expose à un danger de mort ou à de graves blessures.

⚠ AVERTISSEMENT: Le non-respect des consignes indiquées par cette icône peut vous exposer à un danger de mort ou à de graves blessures.

⚠ ATTENTION: Le non-respect des consignes indiquées par cette icône peut vous exposer à des blessures ou provoquer des dommages matériels.

AVERTISSEMENT

• Ne démontez pas ou ne modifiez pas ce produit.
• Ne touchez pas les composants internes qui sont exposés suite à une chute ou à un autre accident.
Le non-respect de ces consignes peut provoquer un choc électrique ou d'autres blessures.

• Si vous observez des anomalies provenant du produit comme de la fumée, de la chaleur ou de odeurs inhabituelles, retirez immédiatement l'accumulateur ou débranchez immédiatement la source d'alimentation.
Continuer d'utiliser le matériel risque de provoquer un incendie, des brûlures ou d'autres blessures.

• Gardez votre matériel au sec.
Ne le manipulez pas avec les mains mouillées.
Ne manipulez pas la prise avec les mains mouillées.

• N'immergez pas le matériel ou ne le lavez pas dans l'eau.
Ne l'utilisez pas sous une forte pluie.
Le non-respect de ces consignes de sécurité peut provoquer un incendie ou un choc électrique.

• Ne laissez pas votre peau en contact prolongé avec ce produit lorsqu'il est sous tension ou lorsqu'il est branché.
Le non-respect de cette consigne peut provoquer des brûlures superficielles.

• N'utilisez pas ce produit en présence de poussières ou de gaz inflammables comme du propane, de l'essence ou des aérosols.
Le non-respect de cette consigne peut provoquer une explosion ou un incendie.

• Conservez ce produit hors de portée des enfants.
Le non-respect de cette consigne peut provoquer des blessures ou le dysfonctionnement du produit. En outre, notez que les petites pièces présentent un risque d'étouffement. Si jamais un enfant avait une pièce de ce produit, consultez immédiatement un médecin.

AVERTISSEMENT

• N'utilisez pas des accumulateurs, des chargeurs ou des adaptateurs secteur qui ne sont pas conçus spécifiquement pour ce produit.

• Lorsque vous utilisez des accumulateurs, des chargeurs et des adaptateurs secteur conçus spécifiquement pour ce produit, ne faites pas les actions suivantes :

• Endommager, modifier, plier les cordons ou les câbles, tirer énergiquement dessus, les placer sous des objets lourds ou les exposer à la chaleur ou aux flammes.

• Utiliser le produit avec des convertisseurs ou des adaptateurs de voyage conçus pour convertir d'une tension à une autre ou avec des onduleurs.
Le non-respect