

HOLLYLAND

TALLY Signal Universal Converter

User Manual

Version 1.1.0

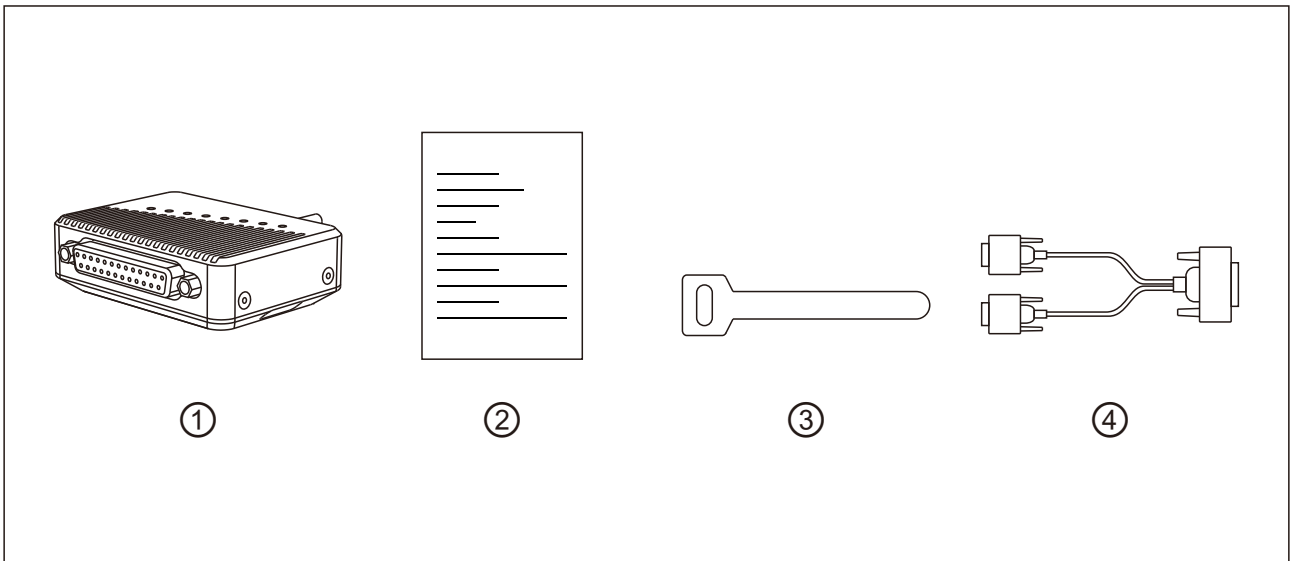
DESCRIPTION

Thank you for purchasing Hollyland TALLY Signal Universal Converter. This TALLY signal universal converter is used for interconnecting wireless HD video transmission system or wireless intercom system with mainstream switchers. It can receive TALLY signals from the switching station, and display them visually on cameras, playback equipment and monitors through indicator lights. By doing that, all staff can know which camera source is being used and which camera should get ready for being played next, and can receive instructions from the switcher correctly and timely for higher work efficiency.

KEY FEATURES

- Support DB25 TALLY Input and 8-Channel TALLY Input
- Support USB Power Supply, Communication and Upgrade
- LED Lights Display the Status of Each Control Signal
- Stable & Reliable Industrial Metal Case

PACKING LIST



STANDARD LIST

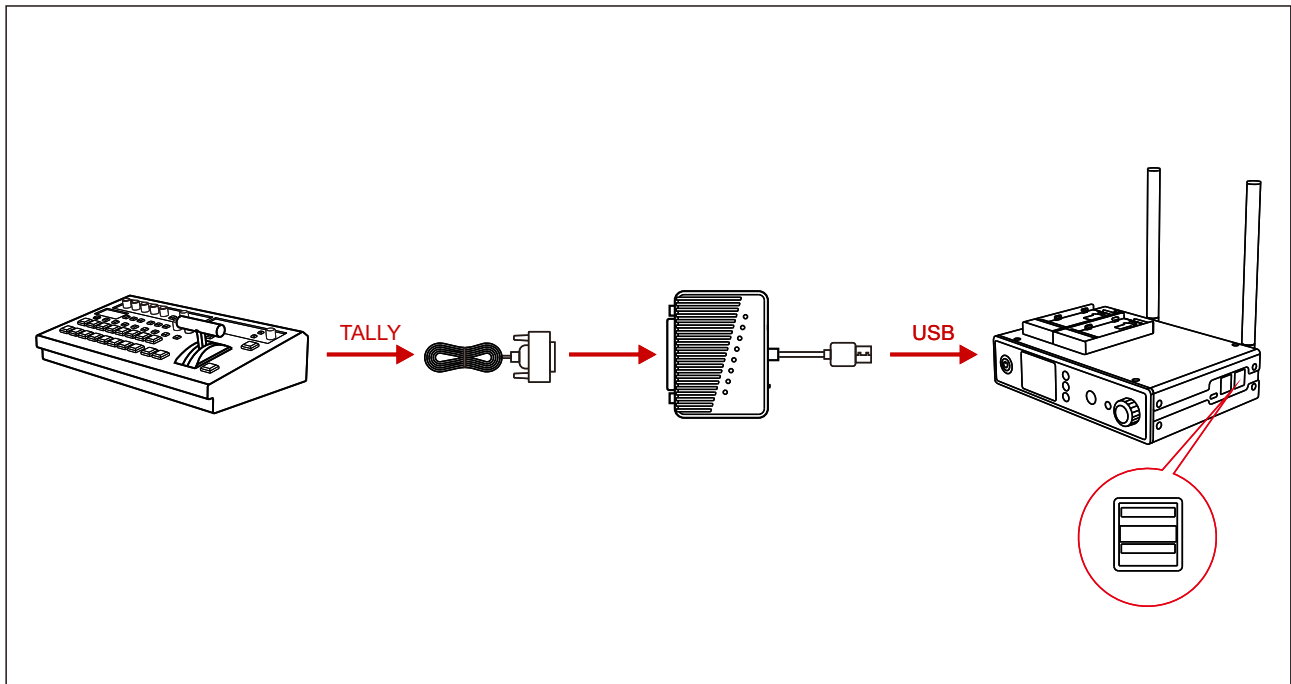
- ① TALLY Signal Universal Converter x1
- ② Quick Guide x1
- ③ Adhesive Velcro x1

OPTIONAL LIST

- ④ TALLY Cable

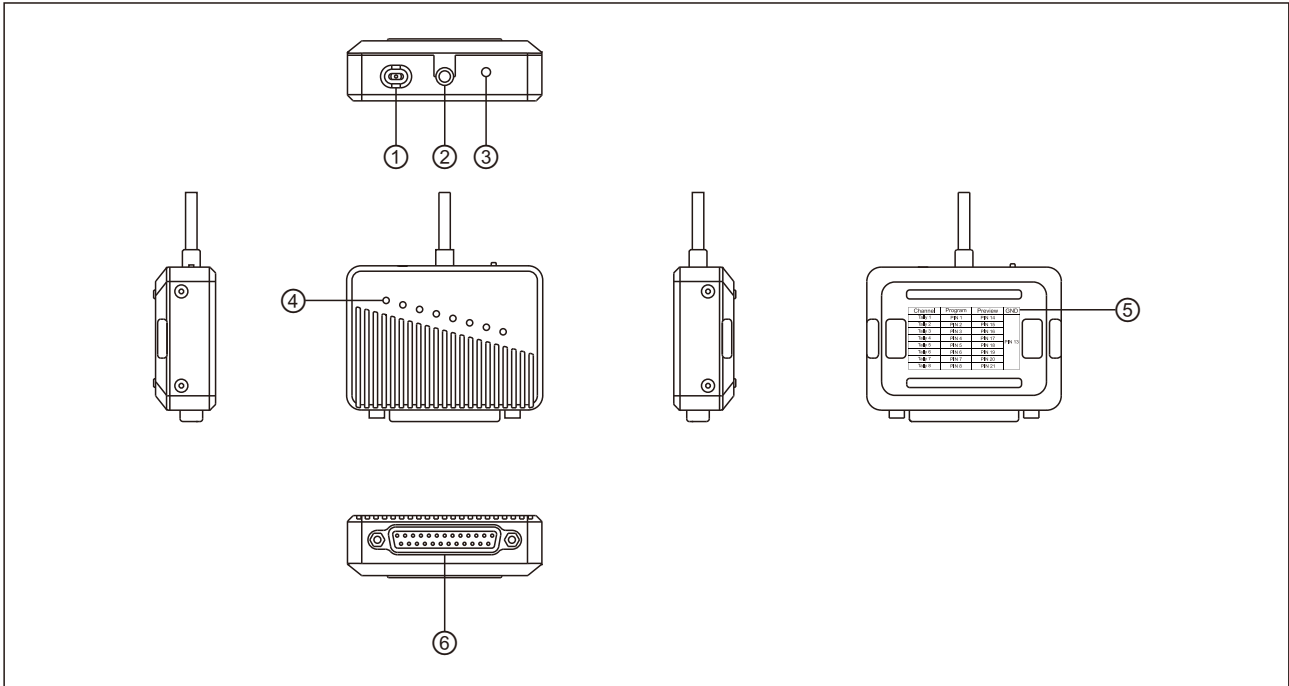
Datavideo 2850 TALLY Cable	Panasonic AV-HS400MC TALLY Cable
BMD TALLY Cable	Panasonic AV-HS410MC TALLY Cable
SONY MCX 500 TALLY Cable	Panasonic AV-HS450MC TALLY Cable
SONY AWS 750 TALLY Cable	

STANDARD SETUP



Connect the DB25 interface of the TALLY converter with the switcher by a corresponding TALLY cable. Connect the USB interface of the converter with a wireless HD video transmission system or a wireless intercom system, and connect TALLY lights to wireless terminal equipment, and then enable TALLY signal universal converter to be on operating state by pushing the electrical level switch. The TALLY signal universal converter uses the red indicator light for PGM, and the green indicator light to indicate for PVM. In this way, the TALLY system can correctly indicate which device is playing and which device is preparing according to the TALLY signal from the switcher.

PRODUCT INTERFACES



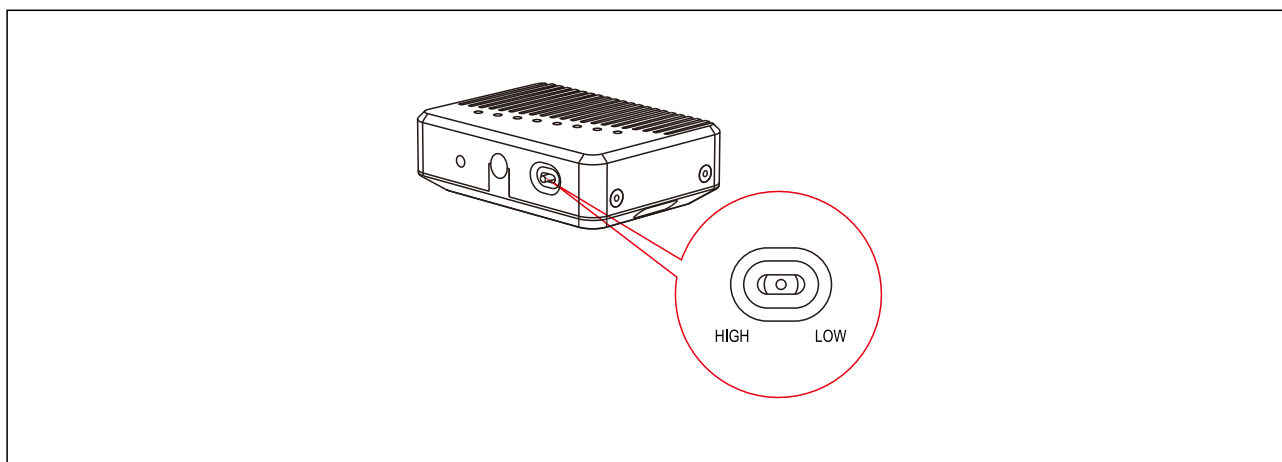
- ① High & Low Electrical Level Switch
- ② USB Interface
- ③ Power Indicator
- ④ 8-Channel TALLY Signal Indicator
- ⑤ DB25 Interface and TALLY Indicator Wiring Relation Table
- ⑥ DB25 Interface

PRODUCT INTERFACES

■ Db25 INTERFACE AND TALLY INDICATOR WIRING RELATION TABLE

Channel	Program	Preview	GND
TALLY 1	PIN 1	PIN 14	PIN 13
TALLY 2	PIN 2	PIN 15	
TALLY 3	PIN 3	PIN 16	
TALLY 4	PIN 4	PIN 17	
TALLY 5	PIN 5	PIN 18	
TALLY 6	PIN 6	PIN 19	
TALLY 7	PIN 7	PIN 20	
TALLY 8	PIN 8	PIN 21	

HIGH & LOW ELECTRICAL LEVEL SWITCH



The TALLY signal universal converter can display the color of the indicator light according to the signal level value sent by the switcher. When the switcher sends a high-level value, push the level switch to “HIGH”. When the switcher sends a low-level value, push the level switch to “LOW”. When it is not clear if the switcher sends high-level or low-level value, you can push the switch on the converter to “HIGH” or “LOW” to tell by its indicator light.

PARAMETERS

Name	Parameters
USB Supply Power Range	4.5~5.5V DC
Power Consumption	<0.5W
Net Weight	88g
Dimension (LxWxH)	68*50*21 mm(USB line length excluded)
Working Temperature	-20 +60
TALLY Signal Control Number	Support 8ch TALLY Input

■ THE SWITCHER CANNOT CONTROL THE INDICATORS ON THE TALLY SIGNAL UNIVERSAL CONVERTER

1. Check if the USB interface is correctly connected with the wireless transmission system. The power supply is normal only when the power indicator is on.
2. Check if the DB25 interface is firmly installed.
3. Switch the high and low-level switch to check if the electrical level matches. When it is not clear if the switcher sends high-level or low-level value, you can push the switch on the converter to “HIGH” or “LOW” to tell by its indicator light.
4. Check if the connection sequence of DB25 interface is in accordance with the DB25 wiring relation table.

■ THE TALLY INDICATOR LIGHT CONTROLLED BY THE WIRELESS TRANSMISSION SYSTEM IS NOT ON

1. Check if the TALLY indicator is correctly connected with the wireless transmission system.
2. Make sure the transmitter and receiver are normally connected. The TALLY indicator light cannot be controlled if the receiver's disconnected.



 HollylandTech

 HollylandTech

 HollylandTech

 sales@Hollyland-tech.com

 www.hollyland-tech.com