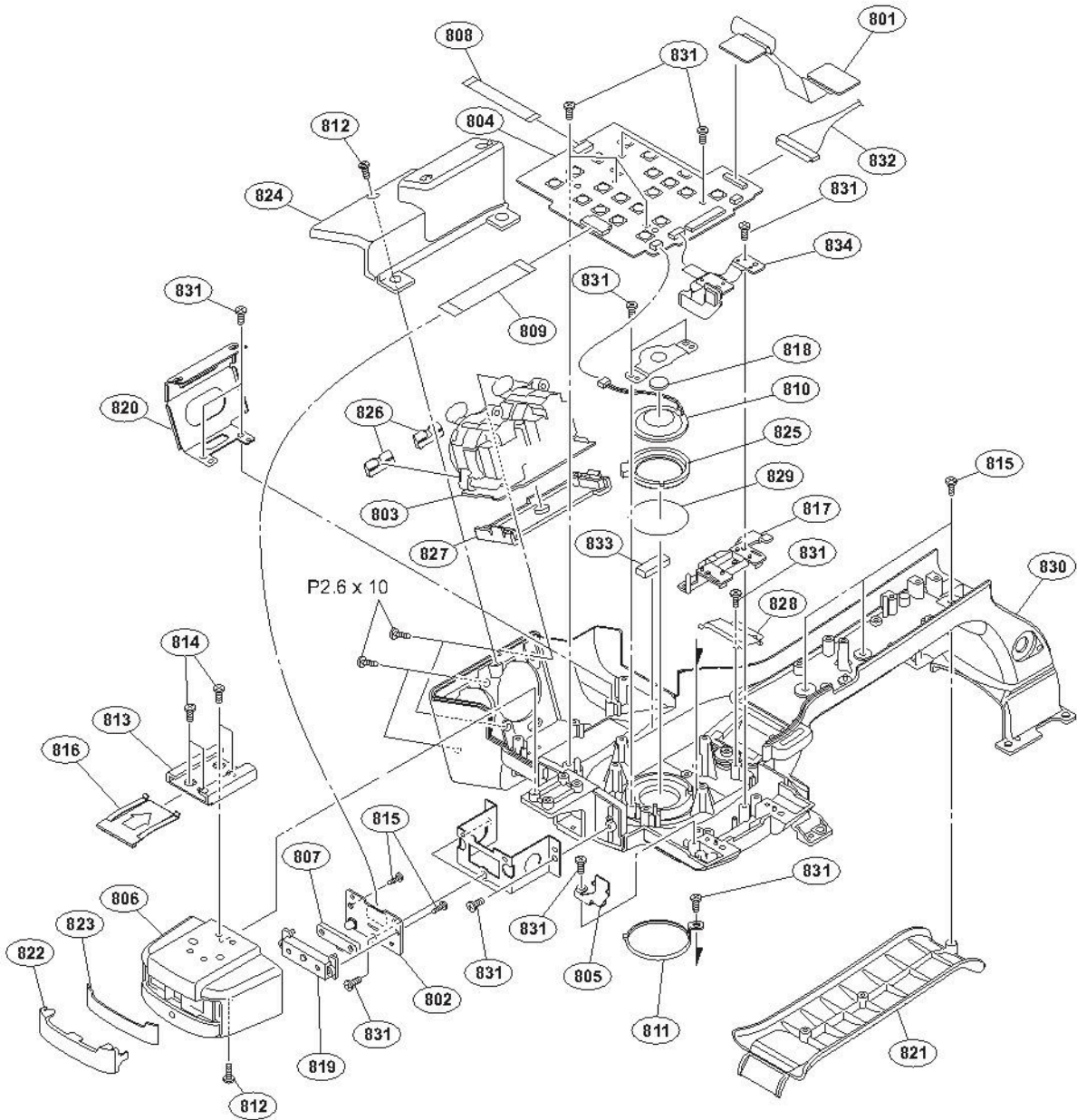


# Handle-2



No.	Part No.	SP Description	No.	Part No.	SP Description
801	A-1890-566-A	⊕ MOUNTED CIRCUIT BOARD, HN-403	818	4-119-285-01	⊕ CUSHION, SPEAKER
802	A-1890-559-A	⊕ MOUNTED CIRCUIT BOARD, FP-179	819	4-428-154-01	⊕ CASE, MICROPHON
803	A-1890-558-A	⊕ MOUNTED CIRCUIT BOARD, AXM-48	820	4-428-156-01	⊕ BRACKET, MICROPHONE
804	A-1890-572-A	⊕ MOUNTED CIRCUIT BOARD, KSW-62	821	4-428-157-01	⊕ GRIP
805	X-2188-609-1	⊕ FIXED (759) ASSY	822	4-428-158-01	⊕ GRILLE, MICROPHONE
806	X-2584-440-1	⊕ CABINET ASSY, MICROPHONE	823	4-428-159-01	⊕ SCREEN, WIND
807	1-542-862-11	⊕ MICROPHONE UNIT	824	4-428-160-01	⊕ COVER, XLR
808	1-831-666-11	⊕ CABLE, FLEXIBLE FLAT (15 CORE)	825	4-428-162-01	⊕ SPEAKER HOLDER
809	1-846-023-11	⊕ CABLE, FLEXIBLE FLAT (10 CORE)	826	4-428-163-04	⊕ XLR SW KNOB
810	1-858-774-11	⊕ LOUDSPEAKER (2.0 CM)	827	4-428-164-01	⊕ XLR SW RALL
811	2-178-566-01	⊕ GRILLE, SPEAKER	828	4-428-165-01	⊕ PLATE LCD GROUND
812	2-630-005-01	⊕ SCREW(M2), NEW TRUSTER, P2	829	4-428-166-01	⊕ SCREEN, SPEAKER
813	3-069-286-03	⊕ SHOE, ACCESSORY	830	4-428-167-02	⊕ HANDLE
814	3-080-203-51	⊕ SCREW(M2), LOCK ACE, P2 (for FMW-160)	831	3-056-233-21	⊕ SCREW (M2), LOCK ACE, P2
	4-432-184-01	⊕ SCREW (M2), NEW TRUSTER, P2 (for FMW-150)	832	1-968-343-11	⊕ HARNESS (DCP-KSW)
815	3-080-206-21	⊕ SCREW, TAPPING, P2	833	4-433-494-01	⊕ GASKET (F), MAIN
816	3-288-615-02	⊕ SPRING, SHOE	834	A-1890-569-A	⊕ MOUNTED CIRCUIT BOARD, KSW-61
817	4-119-279-01	⊕ HOLDER, FLEXIBLE		7-685-135-19	⊕ SCREW +P 2.6X10 TYPE2 NON-SLIT