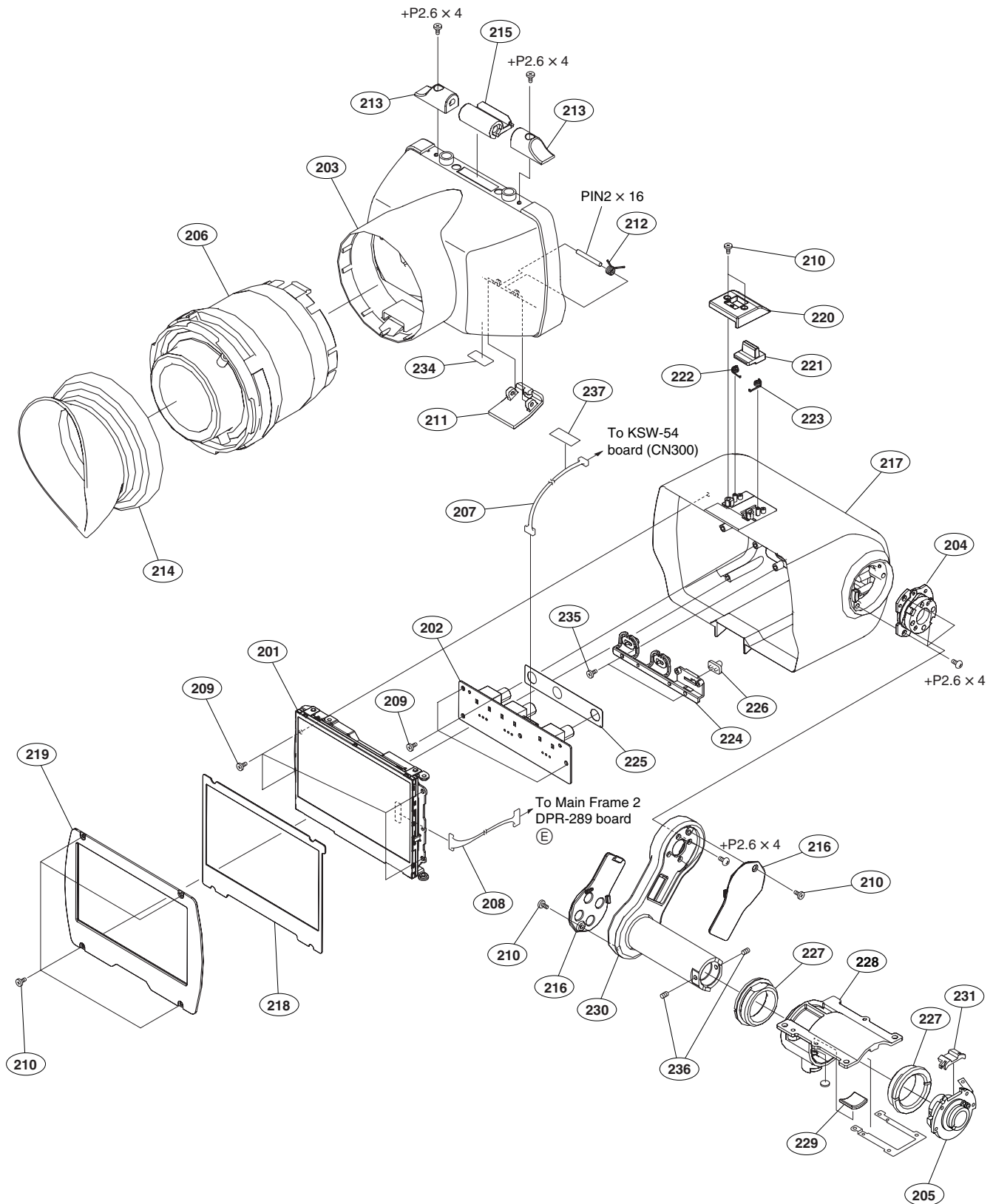


# VF Front and VF Rear



**Prodotti**   **Negozi**   **Supporto**

## PMW-EX3

 Cambia il modello

### PMW-EX3: For Continental Europe

#### Categoria

Exploded Views

#### Modulo

VF Front and VF Rear



visualizza schema

#### Perfeziona la ricerca



descrizione



codice componente

Cerca

Rif.	Numero particolare	Descrizione
201	A1363183B	3.5 INCH LCD ASSY
202	A1545705A	MOUNTED CIRCUIT BOARD, CT-251
203	X23184361	BOX ASSY, REAR
204	X23184421	HINGE ASSY
205	X23184482	SLIDE ASSY, ROTARY
206	178876611	LOUPE, VF
207	196617111	HARNESS, SUB (KSW54-CT251)
208	196619211	HARNESS (DPR-LCD)
209	305623321	SCREW (M2), LOCK ACE, P2
210	308020331	SREW(M2),LOCK ACE,P2
211	387820501	LEVER (REAR BOX)
212	387820602	SPRING, TORSION COIL
213	387820701	BLOCK, SHAFT FIXED
214	387820801	EYE CUP
215	387820902	HINGE, SWITCHING
216	387822601	COVER, ARM
217	387822701	BOX, FRONT
218	387822801	COVER LCD
219	387822901	PLATE, DISPLAY
220	387823001	GUIDE, SLIDE