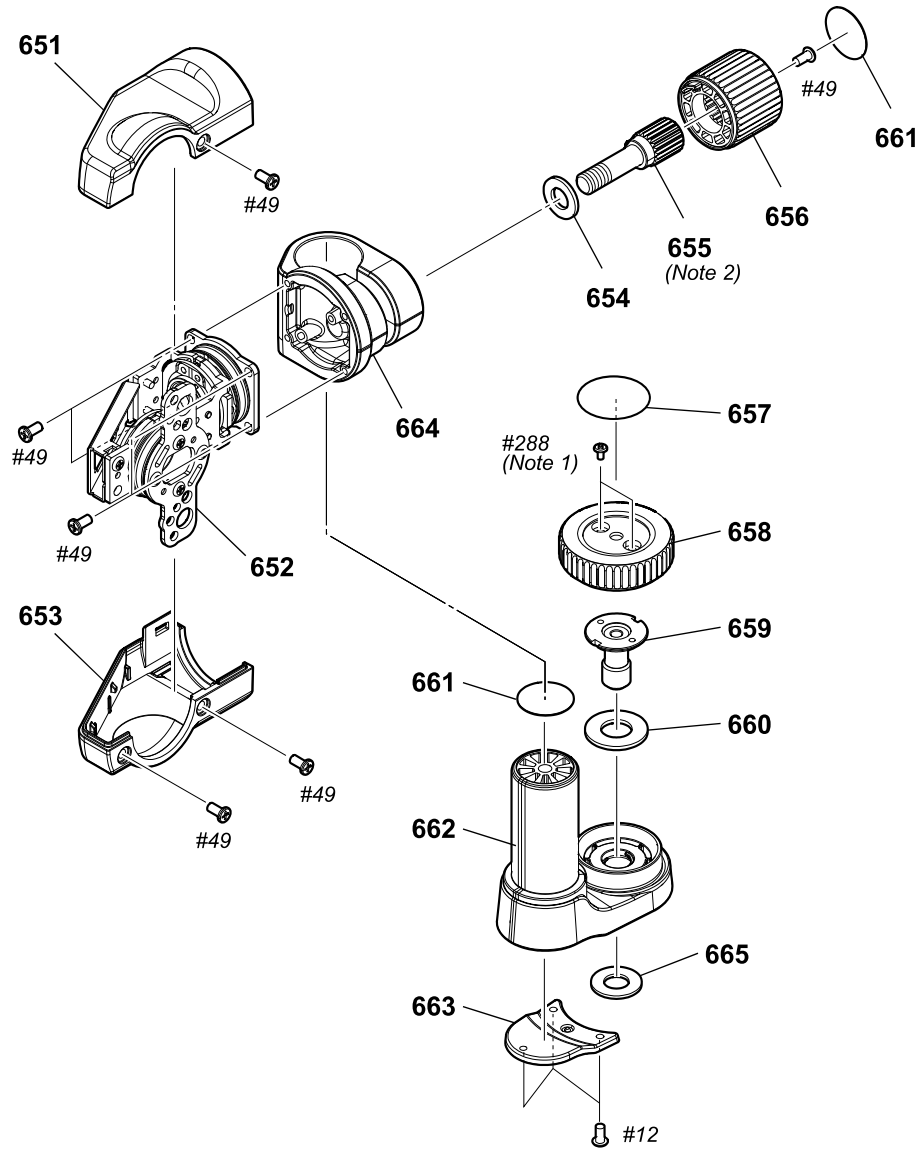


Hinge Assy and VF Base Section



Ref. No. or Q'ty	Part No.	SP Description	Ref. No. or Q'ty	Part No.	SP Description
651	4-576-375-01	COVER (O), HINGE	664	4-576-377-01	HOLDER, CLAMP
652	X-2591-959-1	HINGE (964) ASSY	665	4-587-495-01	POLY-SLIDER (964)
653	4-576-374-01	COVER (U), HINGE	#12	3-080-204-21	SCREW, TAPPING, P2
654	7-688-005-11 *	W 5, MIDDLE	#49	2-630-005-31	SCREW (M2), NEW TRUSTER, P2
655	4-576-380-01	SHAFT, HANDLE CLAMP	#288	2-187-345-21	SCREW (M1.7), P2
656	4-576-379-01	KNOB, HANDLE CLAMP			
657	4-587-493-01	SHEET (964), HANDLE SHAFT			
658	4-583-369-01	KNOB, VF FIXED			
659	4-576-378-01	SCREW, VF BASE FIXED			
660	7-688-006-11 *	W 6, MIDDLE			
661	4-583-371-01	SHEET, VF BASE			
662	4-576-376-01	BASE, VF			
663	4-583-370-01	COVER, VF BASE			