

DATASHEET

MODEL: **RADIATE D300**

300W DAYLIGHT 5600K - HIGH CRI

Built-in power supply: direct AC or battery

Motorized beam control 15° to 55°

Compact size: L.41 cm Ø 21 cm / L.16" Ø 8.5"

Lightweight: 17 lbs / 8 kg

Touchscreen user interface + rotary encoders and CPU

MAIN FEATURES

300W Phosphor-Coated COB LED

DMX 512 control, RDM Ready

CRI: min. 96, typical 98

LED lifespan > 30,000 hours

USB input for firmware upgrades

AC-DC "hot swap" capability

Silent operation

4 selectable dimming curves, from linear to logarithmic

FULL SPECIFICATIONS

Lens type Glass Fresnel 175mm

Weight 8 kg (17 lbs)

Beam adj. system Stepper motor

Stand Mount 16mm + 28mm (universal)

Beam Angle 15° to 55° (half peak)

AC Connection PowerCon

Power supply Built-in, universal

DC Power Supply 26 to 48V, 15A max

AC Power supply 100-240V

DMX Connection 5-pin IN + OUT

Power consumption 300W

Dimming 0,1% - 100% continuous

LED Efficiency >100 lumens/watt

Ambient temp. up to 35°C (95°F)

Cooling Active, Silent Fan

Case Color Silver or Black

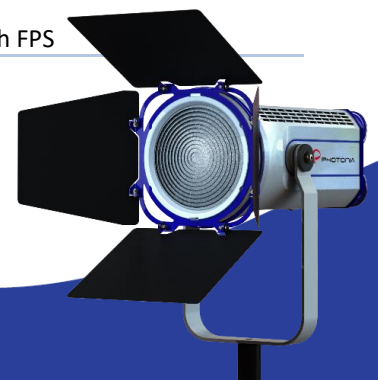
CCT 5600K

Special features Touchscreen UI

Color accuracy Very high (2-step)

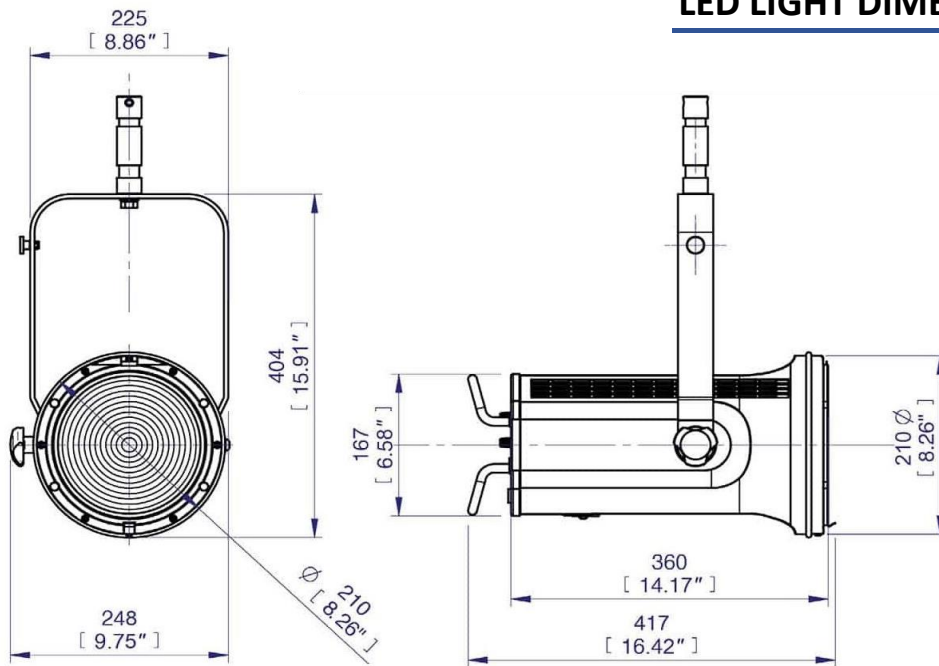
Flicker-free High FPS

Note: specifications are subject to change without prior notice

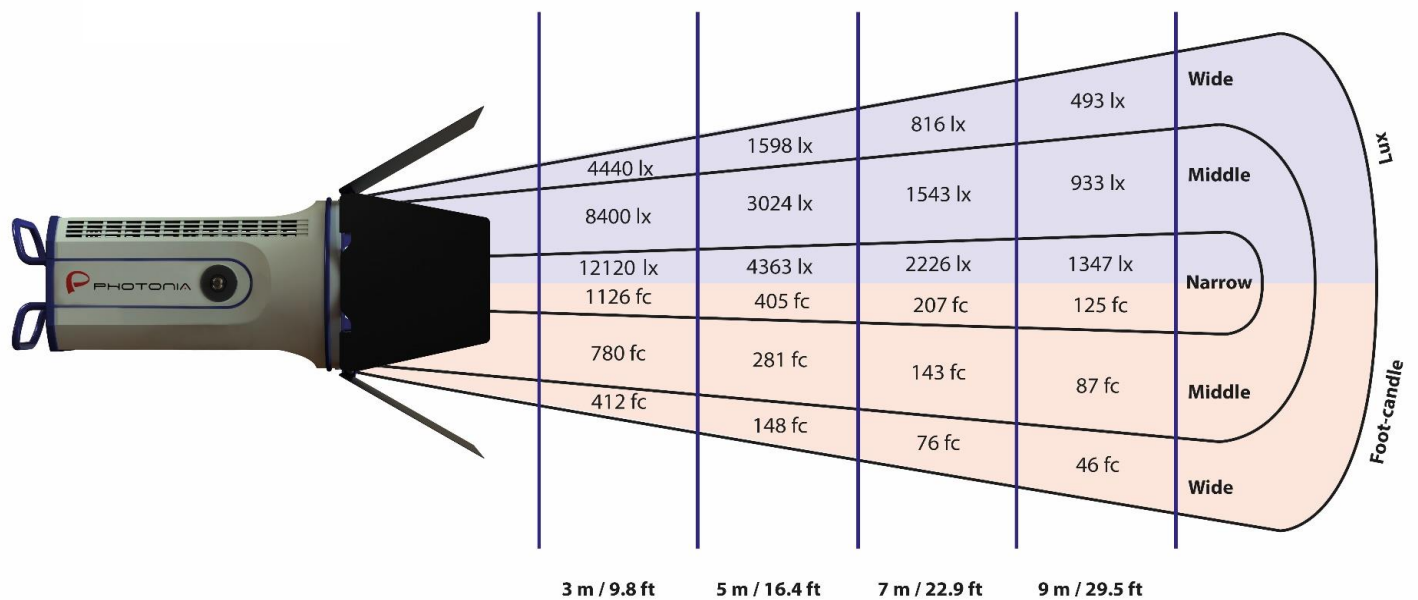


MADE IN ITALY

LED LIGHT DIMENSIONS



PHOTOMETRIC DATA



MADE IN ITALY

