



DATASHEET

MODEL: **RADIATE T300**

300W TUNGSTEN 3200K HIGH CRI

Built-in power supply: direct AC or battery

Motorized beam control 15° to 55°

Compact size: L.41 cm Ø 21 cm / L.16" Ø 8.5"

Lightweight: 17 lbs / 8 kg

Touchscreen user interface + rotary encoders and CPU

MAIN FEATURES

300W Phosphor-Coated COB LED

DMX 512 control, RDM Ready

CRI: min. 96, typical 98

LED lifespan > 30,000 hours

USB input for firmware upgrades

AC-DC "hot swap" capability

Silent operation

4 selectable dimming curves, from linear to logarithmic

FULL SPECIFICATIONS

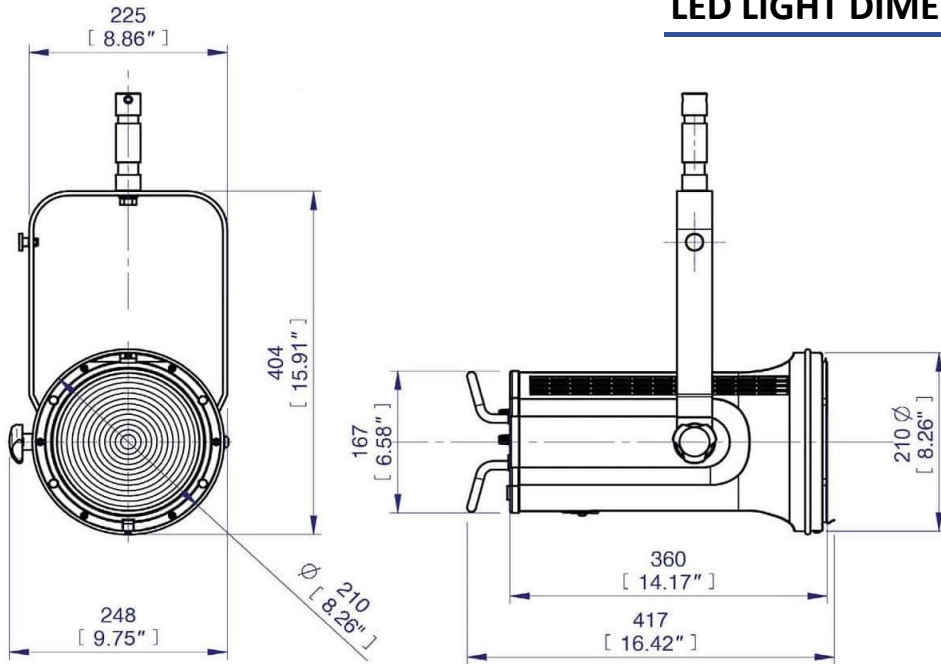
Lens type	Glass Fresnel 175mm	Weight	8 kg (17 lbs)
Beam adj. system	Stepper motor	Stand Mount	16mm + 28mm (universal)
Beam Angle	15° to 55° (half peak)	AC Connection	PowerCon
Power supply	Built-in, universal	DC Power Supply	26 to 48V, 15A max
AC Power supply	100-240V	DMX Connection	5-pin IN + OUT
Power consumption	300W	Dimming	0,1% - 100% continuous
LED Efficiency	>100 lumens/watt	Ambient temp.	up to 35°C (95°F)
Cooling	Active, Silent Fan	Case Color	Silver or Black
CCT	3200K	Special features	Touchscreen UI
Color accuracy	Very high (2-step)	Flicker-free	High FPS

Note: specifications are subject to change without prior notice

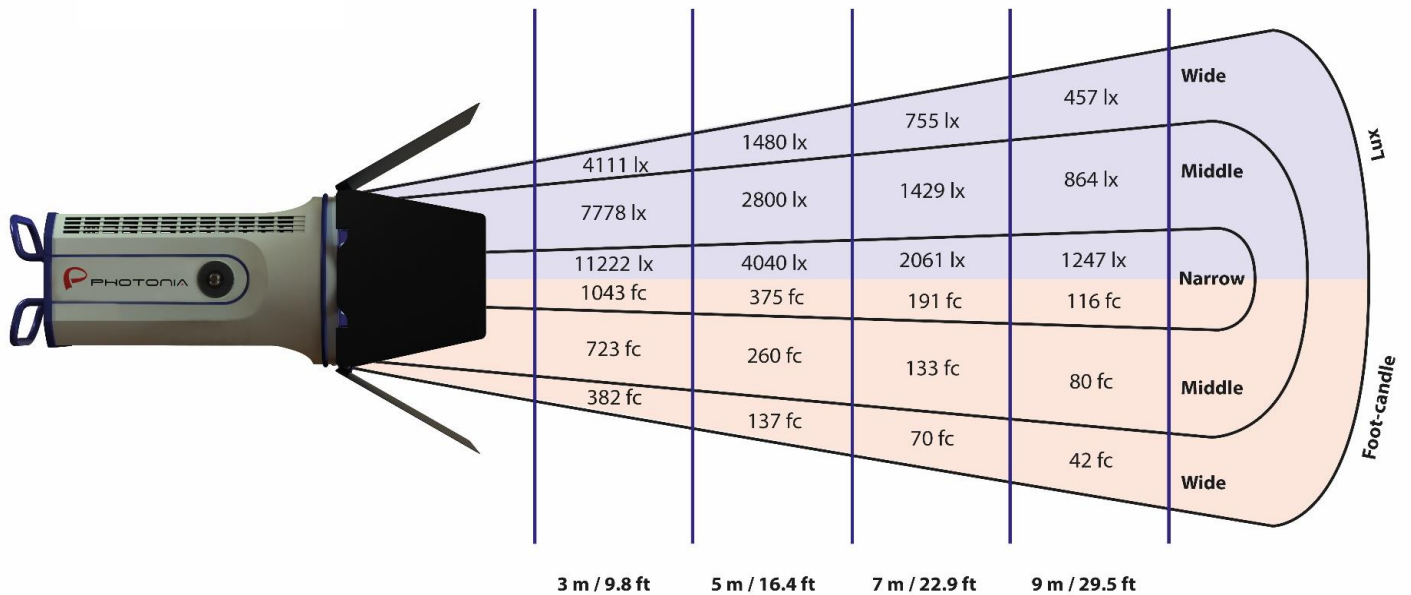
MADE IN ITALY



LED LIGHT DIMENSIONS



PHOTOMETRIC DATA



MADE IN ITALY

