

S15, S55

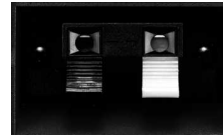


Surface Mount Speakers



S15

Rear Panel



S55

Rear Panel



Advanced surface mount speakers for a wide range of applications.

- "Wide waveguide horn" produces an ideal spherical wave that delivers consistent acoustic energy and flat frequency response over a broad area.
- Advanced two-way design employs high-quality components for smooth, flat response. Emphasis on natural reproduction has resulted in luxurious lows and an extended high-frequency range. Clean, well-balanced sound even at low volume in any installation.
- Both woofer and tweeter are high input capacity units designed for extended reliability. A protection circuit is also provided.
- Wedge design blends with sophisticated interior décor, and a three-layer finish projects a sense of quality.
- The S15 and S55 can be positioned vertically or horizontally. A variety of installation brackets are available as options.
- S15 sold in pairs.

OPTIONS (S15)

BCS20-150/210/270
Ceiling Bracket

BWS20-120/190/260
Wall Bracket

BAS10
Free-Angle Clamp

BMS10A
Mic Stand Adaptor



OPTIONS (S55)

BCS20-150/210/270
Ceiling Bracket

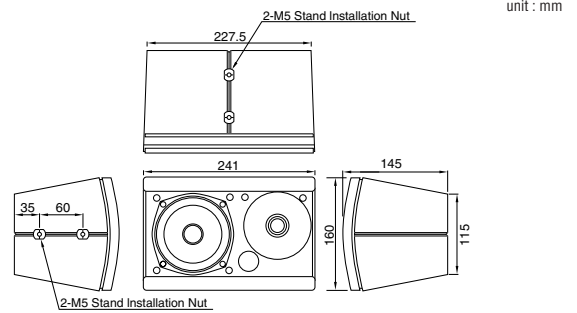
BWS20-120/190/260
Wall Bracket

S15

GENERAL SPECIFICATIONS

Frequency range	65Hz-40kHz	
Power rating	PGM	80W
	MAX	160W
Nominal impedance	6Ω	
Sensitivity	88dB SPL (1W/1m)	
Dispersion	120°	
Others	Protection (Tweeter)	
Components	LF: 12cm cone, HF: 2.5cm + Wave-guide horn	
Enclosure	Bass-reflex type	
Input Terminal	Push terminal x 1	
Dimensions (W x H x D)	241 x 160 x 145mm (9.5" x 6.3" x 5.7")	
Weight	2.8Kg (6.17lbs)	

DIMENSIONS



S55

GENERAL SPECIFICATIONS

Frequency range	65Hz-40kHz	
Power rating	PGM	140W
	MAX	250W
Nominal impedance	6Ω	
Sensitivity	90dB SPL (1W/1m)	
Dispersion	120°	
Others	Protection (Tweeter)	
Components	LF: 16cm cone, HF: 2.5cm + Wave-guide horn	
Enclosure	Bass-reflex type	
Input Terminal	Push terminal x 1	
Dimensions (W x H x D)	370 x 250 x 215mm (14.6" x 9.8" x 8.5")	
Weight	6.0Kg (13.2lbs)	

DIMENSIONS

