

 **TILTA**ING

CANON EOS
R5/R6

FOR CANON EOS R5/R6 RIG

免责声明和警告



感谢您购买 TILTA 产品。本文所提及的内容关系到您的安全以及合法权益与责任。

使用本产品之前，请仔细阅读本文以确保已对产品进行正确的设置。不遵循和不按照本文的说明与警告来操作可能会给您和周围的人带来伤害，损坏本产品或其它周围的物品。本文档及本产品所有相关的文档最终解释权归 TILTA 所有。如有更新，恕不另行通知。请访问 www.tilta.com 官方网站以获取最新的产品信息。

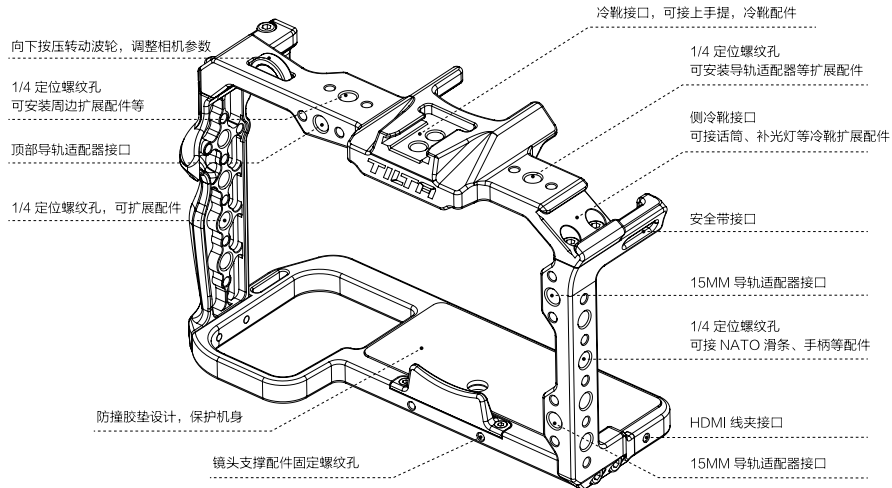
一旦使用本产品，即视为您已经仔细阅读免责声明与警告，理解、认可和接受本声明全部条款和内容。您承诺对使用本产品以及可能带来的后果负全部责任。您承诺仅出于正当目的使用本产品，并且同意本条款以及 TILTA 制定的任何相关条例、政策和指引。

TILTA 对于直接或间接使用本产品而造成的损坏、伤害以及任何法律责任不予负责。用户应遵循包括但不限于本文提及的所有安全指引。

即使存在上述规定，消费者权益依然受当地法律法规所保障，并不受本免责声明影响。

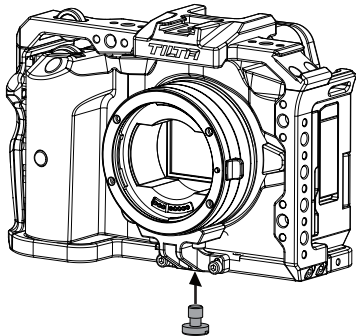
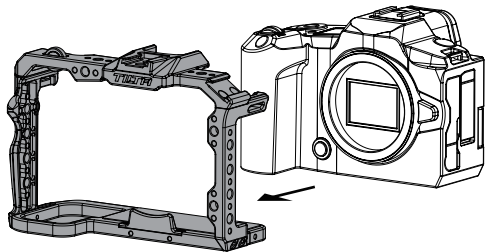
TILTA 是深圳市铁头科技有限公司及其关联公司的商标。本文出现的产品名称、品牌等，均为其所属公司的商标或注册商标。

兔笼功能展示

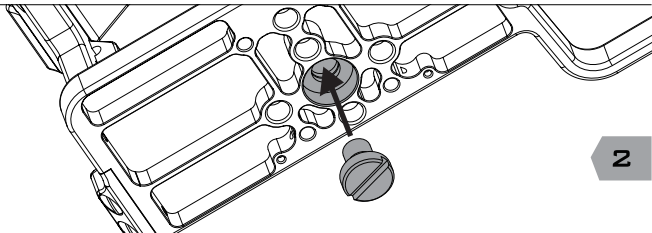


● 兔笼安装演示

1. 取出一字螺丝，将 CANON EOS R5 机器装入专用笼子
2. 将取出的一字螺丝装进兔笼底部。

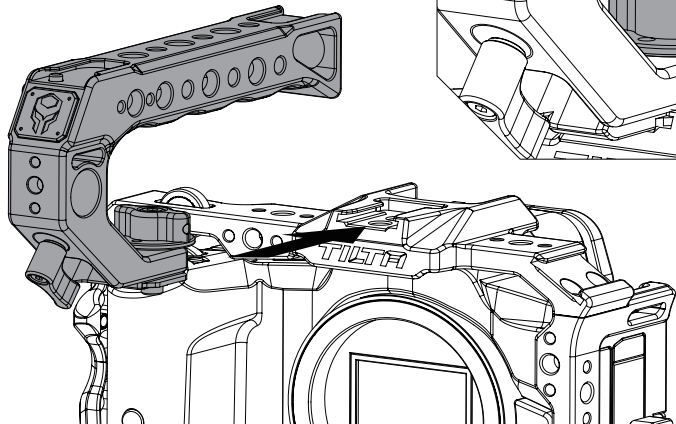


3. 对应机身底部安装孔
将螺丝拧紧



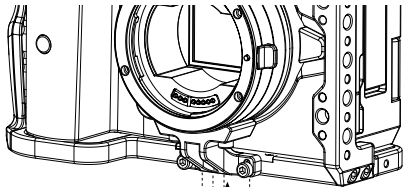
● 上手提安装演示

1. 将上手提滑入兔笼顶部冷靴内
2. 转动上手提手扭，锁紧螺丝即完成装配。

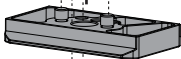


快装板安装演示

1. 将对应的底座快装板安装到笼子底部。
2. 安装 ES-T57 底座底板后可装配通用型底座。



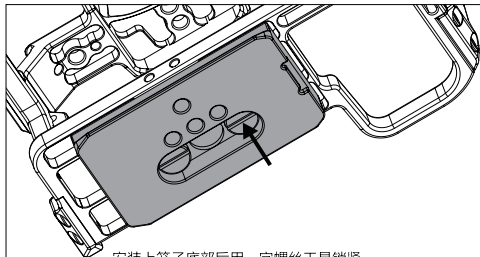
ES-T57
专用底座快装板
(标配)



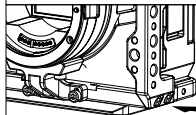
通用阿卡快装板
(选配)



通用曼富图快装板
(选配)

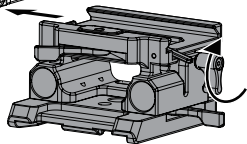


安装上笼子底部后用一字螺丝工具锁紧



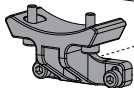
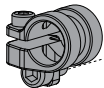
专业版底座
(选配)

将机身底板完全滑入
底座锁紧手扭螺丝



● 配件安装演示

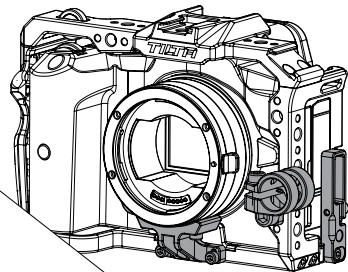
15MM 导轨适配器
(选配)



EF-RF 镜头转接环支撑 (用于 JJC 原装转接环) (选配)

EF-RF (佳能原装带 ND 转接环) (选配)

PL-RF (TILTA 原装转接环) (选配)



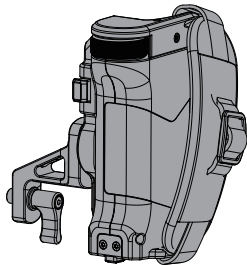
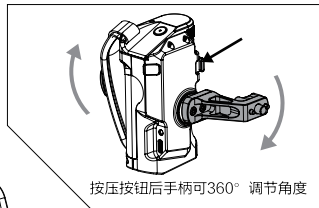
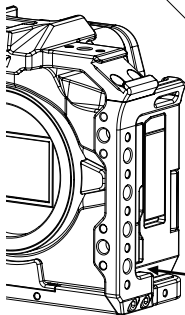
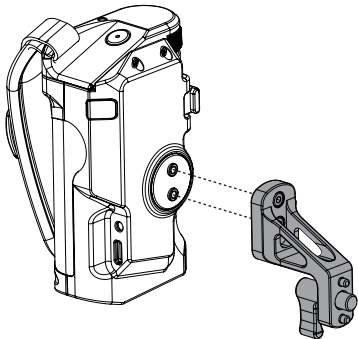
装配图



HDMI 线卡
(选配)

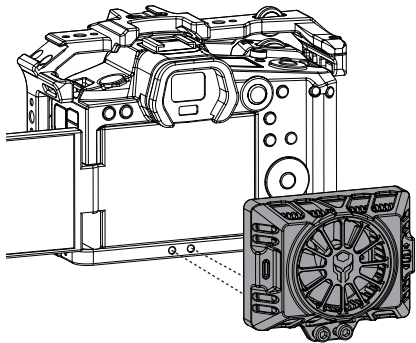
● 跟焦录制手柄和手柄转接件安装演示

1. 对准手柄的 M3 螺纹孔安装手柄转接件
2. 将装好手柄的转接件对准兔笼上的 1/4"-20 定位螺丝孔拧紧手扭即可完成装配

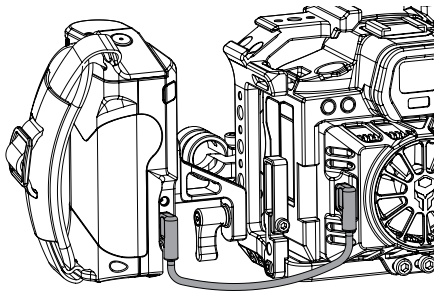


● R5 散热器安装演示

将散热器对准兔笼下方侧边 M4 预留孔
拧紧螺丝即可。



将双头 Type-C 电源线两端连接到供电手柄和散热器
的 Type-c 接口上来给散热器供电。



● CAMERA FUNCTIONS

Press down the turning wheel to adjust camera settings.

Built-in 1/4"-20 screw hole for mounting accessories.

Port for top rod holder.

Built-in 1/4"-20 screw hole for mounting accessories.

Protective rubber.

Screw holes for lens adapter support.

Built-in cold shoe mount for mounting top handle and other compatible accessories.

Built-in 1/4"-20 screw hole for mounting rod attachment and other accessories.

Side cold shoe mount for mounting microphone, additional light, etc.

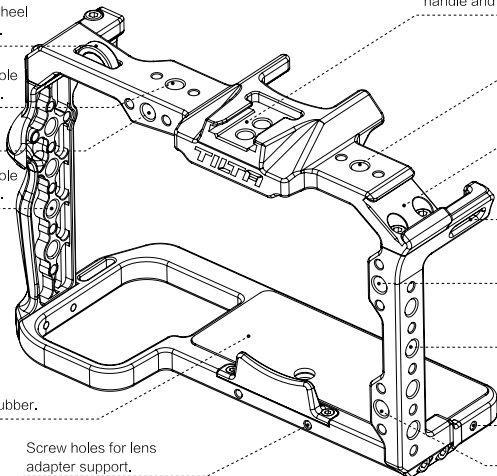
Strap holder.

Port for 15mm rod holder.

1/4"-20 screw hole for mounting NATO rail, side handle, etc.

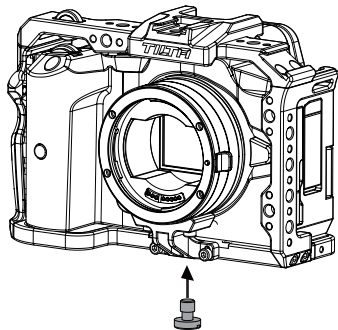
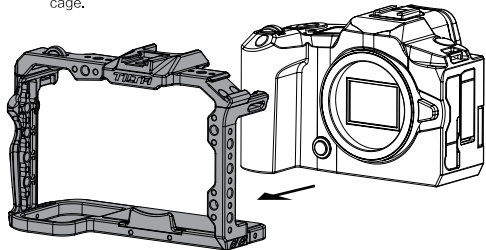
Port for HDMI clamp attachment.

Port for 15mm rod holder.

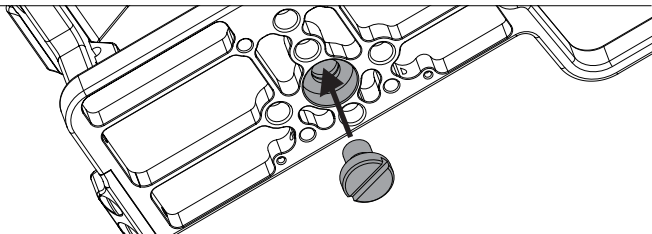


● INSTALLING CAMERA CAGE

1. Take out the tie down screw and place the camera into the camera cage.
2. Attach the tie down screw to the bottom of the camera cage.

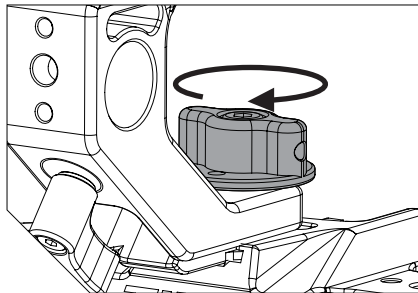
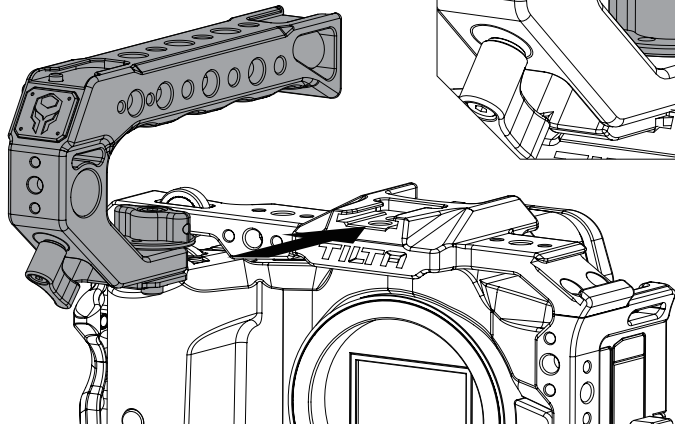


3. Tighten the tie down screw.



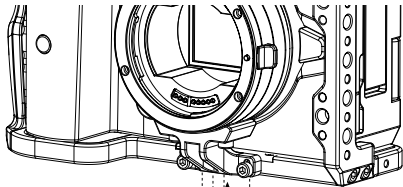
● INSTALLING TOP HANDLE

1. Slide the top handle into the cold shoe mount on top of the camera cage.
2. Tighten with the tie down.

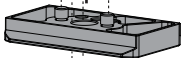


● INSTALLING QUICK RELEASE PLATE

1. Install the quick release plate to the bottom of the cage.
2. Install ES-T57 baseplate then install Tilting quick release plate.



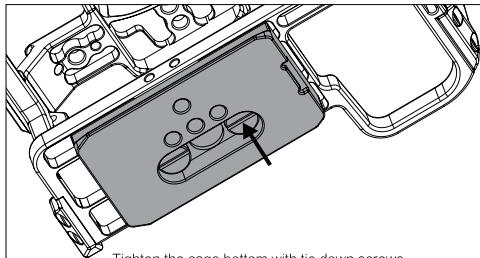
ES-T57
Quick Release
Baseplate (standard)



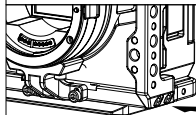
Tilting ARCA Quick
Release Plate Type II
(optional)



Tilting Manfrotto Quick
Release Plate Type II
(optional)

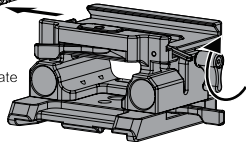


Tighten the cage bottom with tie down screws.



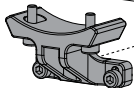
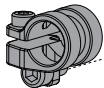
Tilting 15mm LWS Baseplate
(optional)

Slide the quick
release baseplate into
the 15mm LWS baseplate
and tighten with the tie
down screw.



● INSTALLING ACCESSORIES

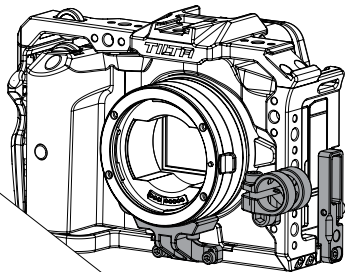
15mm Single Rod Holder (OPTIONAL)



EF-RF lens adapter holder support (for JJC adapter holder) (OPTIONAL)

EF-RF Canon drop-in filter mount adapter (OPTIONAL)

PL-RF PL mount Tilta lens adapter support (OPTIONAL)



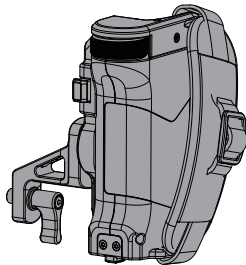
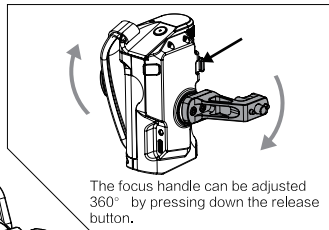
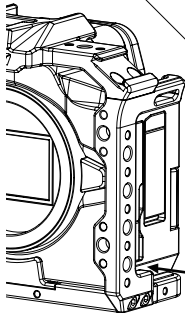
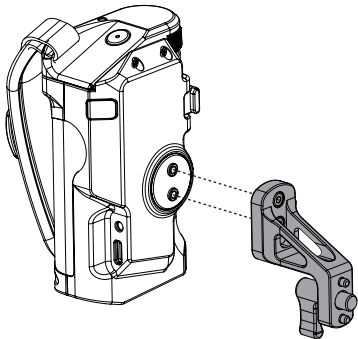
Assembly



HDMI clamp attachment (OPTIONAL)

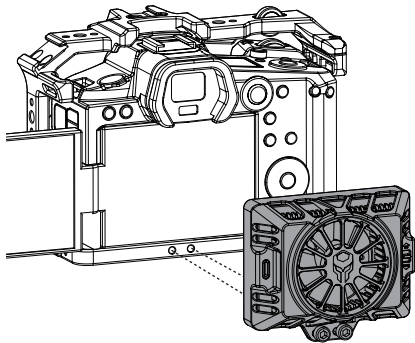
● INSTALLING TILTING FOCUS HANDLE AND SIDE HANDLE ATTACHMENT

1. Align the M3 screw holes on the focus handle with the side handle attachment.
2. Align the side handle attachment with the 1/4"-20 screw hole on the camera cage, and tighten with the tie down screw.

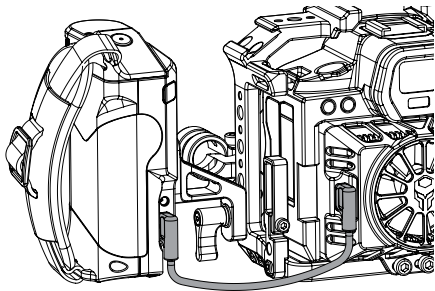


● INSTALLING Cooling System for Canon R5/R6

Align the cooling system with the M4 screw holes located on the bottom of the camera cage, and tighten with the screws.



To power the cooling system, connect the module to the focus handle with the dual USB-C ports power cable.



TILTA

版权由深圳市铁头科技有限公司所有

需授权方可转载

本公司有权在不提前通知的情况下修改产品参数

产品尺寸仅供参考，以实物为准

TILTA 是深圳铁头科技有限公司的注册商标

官方网站: tilta.com.cn www.tilta.com

中国地址: 深圳市光明新区光侨路转7号路 侨德高新科技园B栋2楼

全国服务热线: 4006 1998 67

All copyrights belong to Tilta Technology Co. Ltd.

Written permission is needed for any reproductions.

Tilta has the right to adjust product specification without notice.

All measurements are for reference only. Please see the actual products for more details.

TILTA is a registered trademark owned by Tilta Technology Co., Ltd.

Website: www.tilta.com

US Address: 2801 W Magnolia Blvd, Burbank, CA 91505

US Contact Number: +1(818)651-4991



关注微信公众号



扫码进入官网