

Wall Network Rack Super ECO

19" single section cabinet with fixed side panels

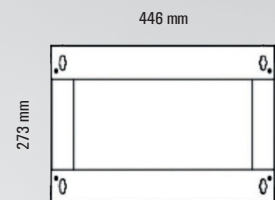
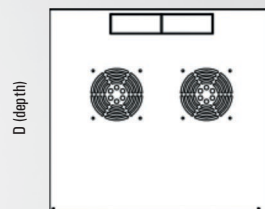
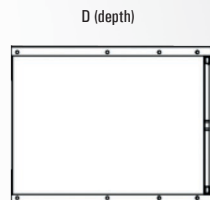
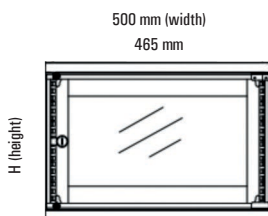
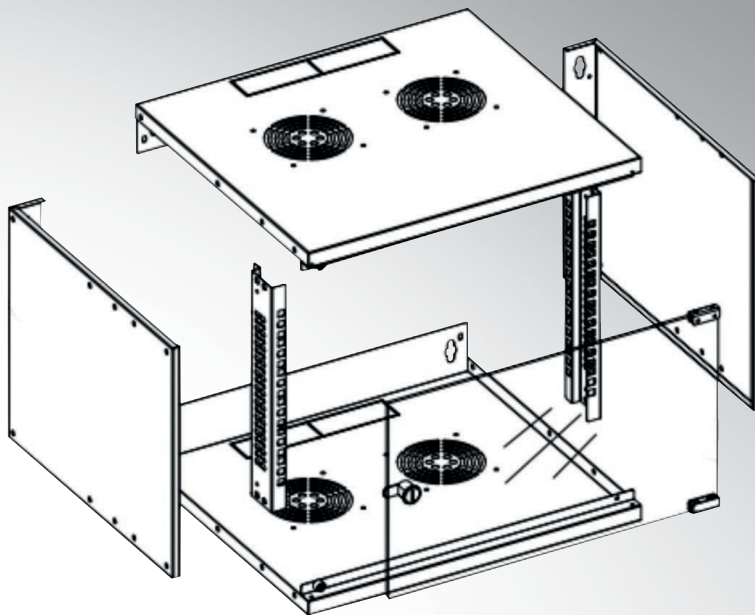


The perfect solution for small networks

Techly Professional presents this new rack as best solution for structured cabling in small data networks and home installations. This cabinet, thanks to its features is a SUPER VERSATILE cabinet.

-  **Robustness:** solid structure with 1.2 mm welded cold rolled steel ensures a static load up to 50 kg.
-  **Effectiveness:** a reliable quality product but with a very competitive price.
-  **Versatility:** base and top are designed for installation of ventilation units and are provided with pre-cut profiles for cable entry. Including in the front a pair of 19" rails with scale.
-  **Safety:** front door with key lock and fixing screws special Torx head.





CODE	Assembly	Units	W mm	D mm	H mm	Usable depth mm	Color
I-CASE EL-1006G32	YES	6	500	320	350	230	Light grey
I-CASE EL-1006B32	YES	6	500	320	350	230	Black
I-CASE EL-1009G32	YES	9	500	320	485	230	Light grey
I-CASE EL-1009B32	YES	9	500	320	485	230	Black
I-CASE EL-1006G45	YES	6	500	450	350	360	Light grey
I-CASE EL-1006B45	YES	6	500	450	350	360	Black
I-CASE EL-1009G45	YES	9	500	450	485	360	Light grey
I-CASE EL-1009B45	YES	9	500	450	485	360	Black

Features:

Single section 19" Wall mounted cabinet with fixed side panels

- Solid structure with cold-rolled steel
- Door with 5 mm tempered glass, reversible with key lock and opening angle greater than 180°
- Blind side and back fixed panels
- Cable entry facilities both on the top and on the bottom with pre-cut profiles (225x45 mm)
- Two ventilation fans with 120 mm dimension
- may be installed both on the top cover and on the bottom of the cabinet
- Pairs of 19" rails with scale mounted on the front adjustable in two positions
- Static load: 50 kg
- Protection category: IP20
- Color: RAL7035 (light grey) and RAL9004 (black)
- Included in the furniture 10 nuts, 10 torx screws and 1 torx wrench

