

Custom Home Theater Plasma Display

TH-50VX100E

Product summary



- New Generation Premiere Plasma Panel 40,000:1 Contrast
- A wider color range than HDTV standard by 120%
- The industry-leading 6,144 gradation & 18bit process
- 16 Adjustment menus including 6 gamma preset curve & memory
- Internal Scaler Bypass Function
- Function slot board –HD-SDI board available
- Stylish Aluminum Hairline Bezel
- Abundant terminals 4x HDMI, Multi function slot

Product specification (Design and specifications subject to change without notice)

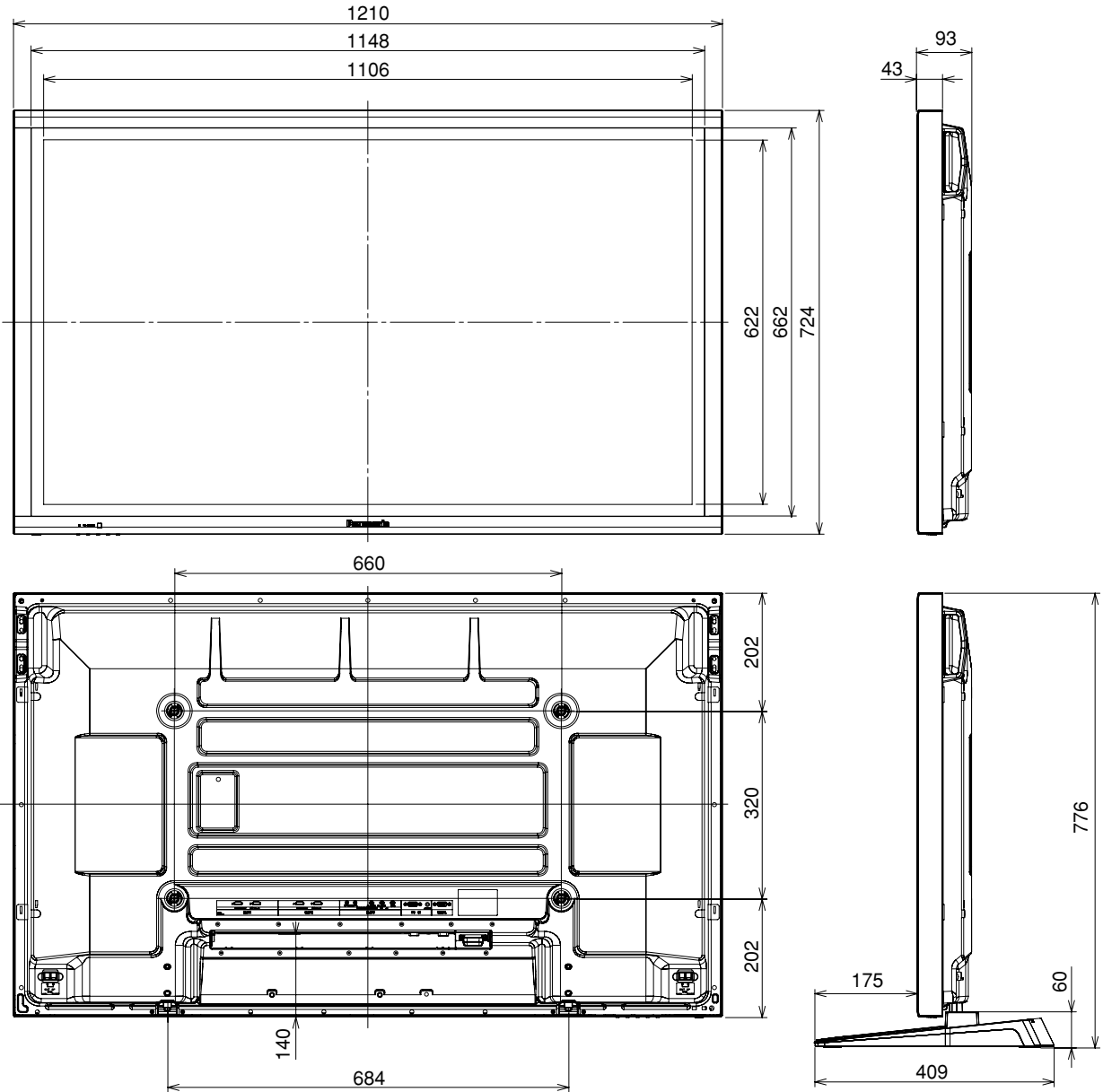
DISPLAY		
Screen Size (Diagonal)	50-inch (1,269 mm)	
Aspect ratio	16:9	
Effective Display Area (W x H)	1,106 x 622 mm	
Resolution (H x V)	1,920 x 1,080 pixels (1pixel=3cells for R, G and B)	
Pixel Pitch (H x V)	0.576 x 0.576 mm	
Contrast Ratio	40,000:1	
Gradation	6,144 steps (equivalent)	
APPLICABLE SIGNALS		
PC Signal Compatibility	VGA, SVGA, XGA, WXGA, SXGA, UXGA (UXGA : compressed)	
	Horizontal scanning frequency 15-110 kHz	
	Vertical scanning frequency 48 -120 Hz	
TECHNICAL FEATURES		
Picture Menu	STANDARD / DYNAMIC / CINEMA / MONITOR	
Color Temp	NORMAL-COOL-STUDIO-WARM	
Black Extension	Yes	
Input Level	Yes	
Gamma	S CURVE / 1.0 / 2.0 / 2.2 / 2.5 / 2.6	
AGC	Yes (ON / OFF)	
W/B	HIGH R / G / B, LOW R / G / B	
3:2 Pulldown	Yes (ON / OFF)	
Studio Gain	Yes (ON / OFF)	
Video Noise Reduction	Yes (ON / OFF)	
Block Noise Reduction	Yes (ON / OFF)	
Mosquito Noise Reduction	Yes (ON / OFF)	
isf Mode	Day / Night	
INPUT / OUTPUT		
Fixed Terminals		
PC IN	Mini D-sub 15pin x 1 (Female)	
	*Plug & Play (VESA DDC 2B)	
AUDIO IN	M3 jack x 1	
SERIAL	D-sub 9-pin x 1 (Male)	
Interchangeable Terminals		
(Slot1) HDMI IN	HDMI x 2	
(Slot2) HDMI IN	HDMI x 2	
(Slot3) COMPONENT IN	RCA x 3	
AUDIO IN(L/R)	RCA pin jack x 2	
USEFUL FEATURES		
EXT. SCALER function	ON / OFF	
User Calibration Memory	16 memories	
Memory Lock	Lock1 / Lock2	
Screen Saver	Yes (4 different mode)	
Side Bar Adjust	OFF / DARK / MID / BRIGHT	
Wobbling	ON1 / ON2 / OFF	
Peak Limit	Yes (ON / OFF)	
Power Save	Yes (ON / OFF)	
Stand By Save	Yes (ON / OFF)	
Power Management	Yes (ON / OFF)	
Auto Power Off	Yes (ON / OFF)	
Customizing the On-Screen	TYPE1 / TYPE2 / TYPE3	
ELECTRICAL		
Power Requirements	AC 220-240, 50 Hz / 60 Hz	
Power Consumption	485 W	
Power off condition	0.4 W	
Stand-by condition	Save OFF 1.2 W, Save ON 0.7 W	

■ Product specification (Design and specifications subject to change without notice)

MECHANICAL	
Dimensions (W x H x D)	1,210 x 724 x 93 mm
Weight	approx. 37.0 Kg
Cabinet Color	Black (Aluminum Heirline Finish)
ENVIRONMENTAL	
Operating environment	
Temperature	0 °C - 40 °C
Humidity	20 % - 80 % (Non condensation)
Altitude	0 - 2,800 m
Storage environment	
Temperature	-20 °C - 60 °C
Humidity	20 % - 90 % (Non condensation)
Altitude	0 - 3,300 m
RADIATION REGULATIONS	
EN55022 Class-B, EN55024, EN61000-3-2, EN61000-3-3	
SAFETY STANDARDS	
EN60065 Ver.7	
REMOTE CONTROL TRANSMITTER	
Power Requirements	DC 3V (2 x R6 (UM3) Battery)
Operation distance	approx. 7 m in front of plasma display
Weight	approx. 170 g including batteries
INCLUDED ACCESSORIES	
<ul style="list-style-type: none"> • Remote control transmitter • Batteries • Fixing Band x 1 • AC Power cord • Operating instruction book 	
OPTIONAL ACCESSORIES	
<ul style="list-style-type: none"> • Wall-hanging bracket (vertical, angled) • Pedestal • DVI-D Terminal board • IR Terminal board • Dual HDMI Terminal Board • Component Terminal board • HD-SDI(with Audio)Terminal Board • HD-SDI Terminal Board • Dual Link HD-SDI Terminal Board 	

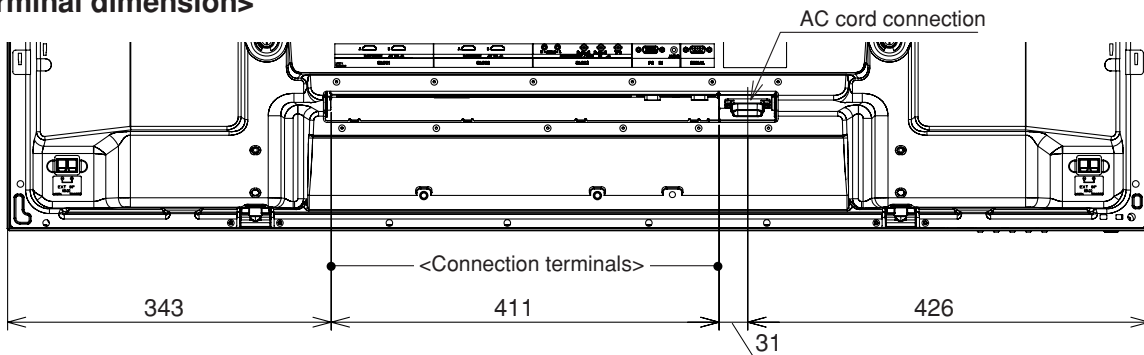
■ **Dimensions** (Shown with optional Pedestal stand)

Units : mm

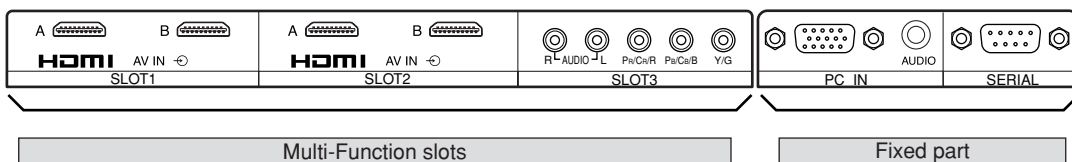


With the option pedestal
TY-ST50VX100 attached

<Terminal dimension>



<Connection terminals>



Preset Input Signals

Signal name	horizontal frequency (kHz)	vertical frequency (Hz)	Optional Function Board							PC IN(D-sub 15-pin) Fixed Terminal
			Component Video(BNC) TY-42TM6A	Component Video(RCA) TY-42TM6Z	DVI-D TY-FB11DD	HD-SDI TY-FB9HD	HD-SDI with Audio TY-FB10HD	Dual HD-SDI TY-FB11DHD	Dual HDMI TY-FB10HMD	
Composite	NTSC	15.73	59.94							
	PAL	15.63	50.00							
	PAL60	15.73	59.94							
	SECAM	15.63	50.00							
	Modified NTSC	15.73	59.94							
Component / RGB	525(480)/60i	15.73	59.94	Y	Y		Y	Y		Y
	525(480)/60p	31.47	59.94	Y	Y	Y			Y	Y
	625(575)/50i	15.63	50.00	Y	Y		Y	Y		Y
	625(575)/50p	31.25	50.00	Y	Y					Y
	625(576)/50p	31.25	50.00			Y			Y	Y
	750(720)/60p	45.00	60.00	Y	Y	Y	Y	Y	Y	Y
	750(720)/50p	37.50	50.00	Y	Y	Y	Y	Y	Y	Y
	1125(1080)/60i	33.75	60.00	Y	Y	Y	Y	Y	Y	Y
	1125(1080)/60p	67.50	60.00	Y	Y	Y		Y	Y	Y
	1125(1080)/50i	28.13	50.00	Y	Y	Y	Y	Y	Y	Y
	1125(1080)/50p	56.25	50.00	Y	Y	Y		Y	Y	Y
	1125(1080)/30p	33.75	30.00	Y	Y	Y	Y	Y	Y	Y
	1125(1080)/25p	28.13	25.00	Y	Y	Y	Y	Y		Y
	1125(1080)/24p	27.00	24.00	Y	Y	Y	Y	Y	Y	Y
	1125(1080)/24sF	27.00	48.00	Y	Y		Y	Y		Y
	1250(1080)/50i	31.25	50.00	Y	Y					Y
	2048(1080)/24p	27.00	24.00						Y	
	2048(1080)/24sF	27.00	48.00						Y	
RGB	640×400@70Hz	31.46	70.07	Y	Y					Y
	640×480@60Hz	31.47	59.94	Y	Y	Y			Y	Y
	640×480@72Hz	37.86	72.81	Y	Y					Y
	640×480@75Hz	37.50	75.00	Y	Y					Y
	640×480@85Hz	43.27	85.01	Y	Y					Y
	800×600@56Hz	35.16	56.25	Y	Y					Y
	800×600@60Hz	37.88	60.32	Y	Y	Y				Y
	800×600@72Hz	48.08	72.19	Y	Y					Y
	800×600@75Hz	46.88	75.00	Y	Y					Y
	800×600@85Hz	53.67	85.06	Y	Y					Y
	852×480@60Hz	31.47	59.94	Y	Y	Y				Y
	1024×768@50Hz	39.55	50.00			Y				
	1024×768@60Hz	48.36	60.00	Y	Y	Y				Y
	1024×768@70Hz	56.48	70.07	Y	Y					Y
	1024×768@75Hz	60.02	75.03	Y	Y					Y
	1024×768@85Hz	68.68	85.00	Y	Y					Y
	1066×600@60Hz	37.64	59.94	Y	Y	Y				Y
	1152×864@60Hz	53.70	60.00			Y				
	1152×864@75Hz	67.50	75.00	Y	Y					Y
	1280×768@60Hz	47.70	60.00	Y	Y					Y
	1280×960@60Hz	60.00	60.00	Y	Y					Y
	1280×960@85Hz	85.94	85.00	Y	Y					Y
	1280×1024@60Hz	63.98	60.02	Y	Y	Y				Y
	1280×1024@75Hz	79.98	75.03	Y	Y					Y
	1280×1024@85Hz	91.15	85.02	Y	Y					Y
	1366×768@50Hz	39.55	50.00			Y				
	1366×768@60Hz	48.36	60.00	Y	Y	Y				Y
	1400×1050@60Hz	65.22	60.00			Y				
	1600×1200@60Hz	75.00	60.00	Y	Y	Y				Y
	1600×1200@85Hz	81.25	65.00	Y	Y					Y
	1920×1080@60Hz	67.50	60.00	Y	Y	Y				Y
	1920×1200@60Hz	74.04	59.95			Y				
	Mac13" (640×480)	35.00	66.67	Y	Y					Y
	Mac16" (832×624)	49.72	74.54	Y	Y					Y
	Mac21" (1152×870)	68.68	75.06	Y	Y					Y

Serial RS232C : D-sub 9-Pin (Male)



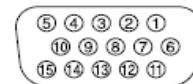
Pin Assignment and Signal Name

Pin No.	Signal name	Descriptions
1	CD	NC
2	RXD	Receive Data
3	TXD	Transmit Data
4	DTR	Not use
5	GND	Ground
6	DSR	Not use
7	RTS	Shorted in this set
8	CTS	
9	RI	NC

Transmitting Conditions

Signal Level	RS232C compliant
Synchronization method	Asynchronous
Baud Rate	9600 bps
Parity	None
Character Length	8 bits
Stop Bit	1 bit
Flow control	-

PC Input : D-Sub 15-Pin (Female)



Signal Name

Pin No.	Signal name
1	R (P _R /C _R)
2	G (Y)
3	B (P _B /C _B)
4	NC (Not connected)
5	GND (Ground)
6	GND (Ground)
7	GND (Ground)
8	GND (Ground)
9	+5V DC
10	GND (Ground)
11	NC (Not connected)
12	SDA
13	HD/SYNC
14	VD
15	SCL