

Preliminary

Roland

Audio/Video Converter for Webstreaming and Capture/Archiving



NEW

VIDEO CONVERTER **VC-30HD**

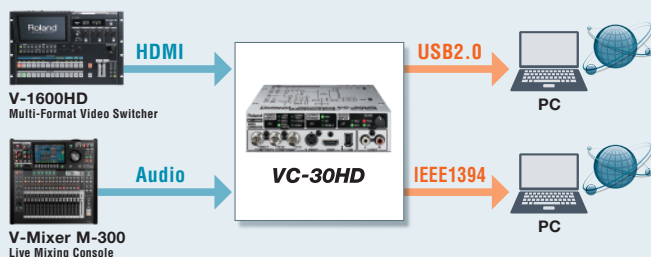
HDV DV MPEG-2 HDMI COMPONENT S-VIDEO COMPOSITE

- Converts uncompressed analog/digital video to MPEG-2/HDV/DV
- Enables audio embedding with both analog and digital audio
- Encoded video/audio can be simultaneously output from IEEE1394 and USB2.0

Application Examples

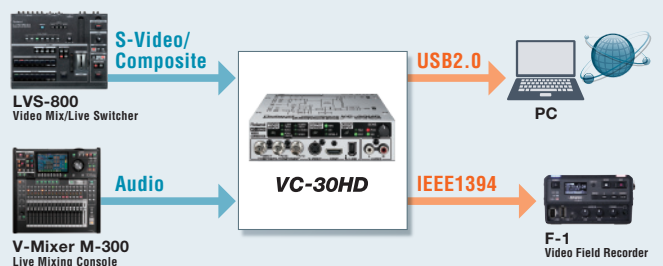
HD Live Streaming

Converts and combines video and audio to MPEG-2 for live streaming. Simultaneously outputs to IEEE1394 and USB 2.0 ports.



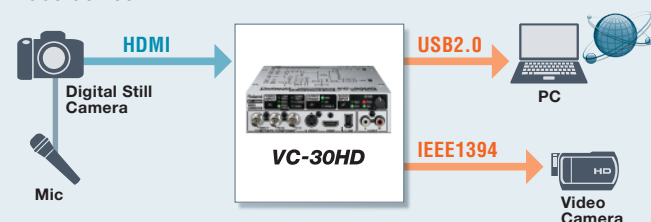
Live Streaming + Backup Recording

Output from video and audio equipment can be combined and used for web streaming and recording to video devices for backup.



DSLR Video Recording

Record from a digital still camera to PC or directly to another video device.



Record to a Blu-ray

Record directly to Blu-ray recorder from a Non-linear Editor via VC-30HD.



Supports various video/audio format conversion

VIDEO

-  **HDMI 1.3**
-  **HDV*1**
DV*1
MPEG-2 TS*1
-  **Component**
-  **Composite**
-  **S-Video**
- AUDIO**
-  **AES/EBU*2**
-  **XLR*2**
-  **RCA PIN*2**
- TIMECODE**
-  **SMPTE**

IN



VC-30HD

Dedicated software for the VC-30HD enables control of various parameters such as bit rate of MPEG-2 TS (HD: 50/35/8 Mbps, SD: 12/9/2 Mbps) and audio delay via USB.

IEEE 1394
(DV/HDV/MPEG-2 TS)

DUAL OUTPUT

IEEE1394

USB

USB Video/Audio

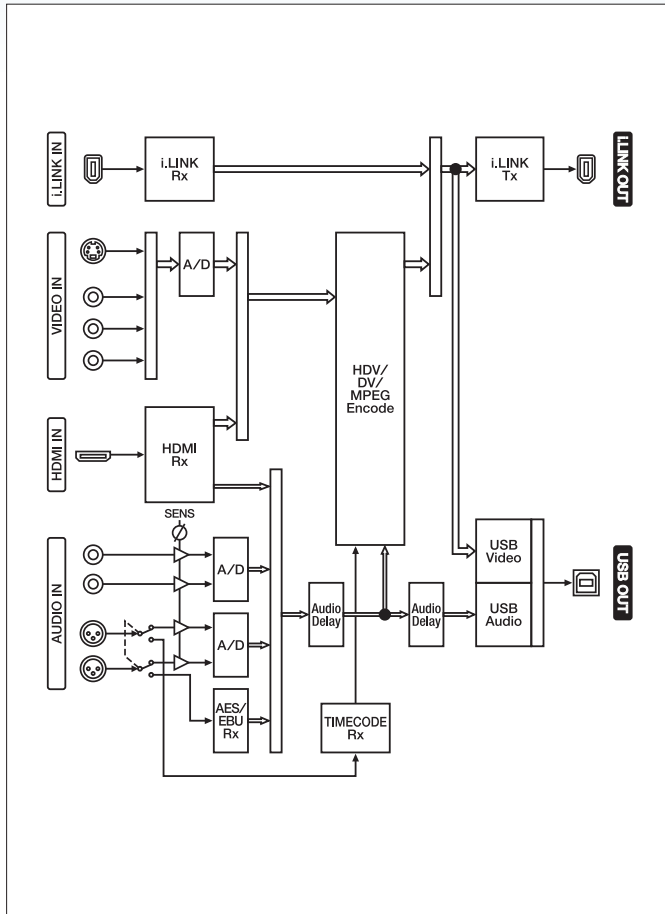
Livestream
Ustream
Stickam...



*1: USB output does not support embedded audio signal from IEEE1394 or control of audio volume.

*2: Audio and Timecode can be embedded in the IEEE1394 video output.

Block Diagram



Specifications

Codec Type	HDV	Video Format: MPEG-2 Video, 8 bits, 4:2:0 1440 x 1080 / 59.94i / 50i / 23.98p (25 Mbps) 1280 x 720 / 59.94p / 50p (18.3 Mbps) 720 x 480 / 59.94p, 720 x 576 / 50p (18 Mbps) Audio Format: MPEG-1 Audio Layer2, 16 bits, 48 kHz, 2 ch (384 kbps)
	DV	Video Format: 720 x 480 / 59.94i, 720 x 576 / 50i Audio Format: Linear PCM, 16 bits, 48 kHz, 2 ch
	MPEG-2	Video Format: MPEG-2 Video, 8 bits, 4:2:0 1920 x 1080 / 59.94i / 50i / 23.98p (35 Mbps) 1280 x 720 / 59.94p / 50p (35 Mbps) 720 x 480 / 59.94p, 720 x 576 / 50p (35 Mbps) 720 x 480 / 59.94i, 720 x 576 / 50i (9 Mbps) Audio Format: Linear PCM, 16 bits, 48 kHz, 2 ch
Input	HDMI	Connector Type: Type A (19 pins) x 1 Video Format: 1920 x 1080 / 59.94i / 50i, 1280 x 720 / 59.94p / 50p 720 x 480 / 59.94p, 720 x 576 / 50p, 720 (1440) x 480 / 59.94i, 720 (1440) x 576 / 50i Audio Format: Linear PCM, 16 to 24 bit, 32 to 48 kHz, 2 ch
	Component	Connectors Type: Y / Pb / Pr (BNC type) x 1 Video Format: 1920 x 1080 / 59.94i / 50i / 23.98PsF 1280 x 720 / 59.94p / 50p, 720 x 480 / 59.94p 720 x 576 / 50p, 720 x 480 / 59.94i, 720 x 576 / 50i Input Level: 1.0 Vp-p (Luminance), 0.7 Vp-p (Chrominance) Impedance: 75 ohms
	Composite	Connector Type: BNC type x 1 (Combined use with Component Y Connector) Video Format: NTSC, PAL, Input Level: 1.0 Vp-p, Impedance: 75 ohms
	S-Video	Connector Type: 4-pin mini DIN type x 1 Video Format: NTSC, PAL Input Level: 1.0 Vp-p (Luminance), 0.286 Vp-p (NTSC Chrominance) 0.3 Vp-p (PAL Chrominance) Impedance: 75 ohms
	i.LINK (Front)	Connector Type: 6-pin type (S100) x 1 Signal Format: HDV, DV (IEC61883-2), MPEG-2 TS (IEC61883-4) Maximum Bit Rate: 50 Mbps
	Audio (Front)	Connectors Type: RCA phono type x 1 pair (L/R) Input Level: -20 to -6 dBu, Impedance: 35 k ohms
	Audio (Rear)	Connectors Type: XLR type (balanced) x 1 pair (L/R) Input Level: -8 to +10 dBu, Impedance: 14 k ohms
	Digital Audio	Connector Type: XLR type x 1 (Combined use with Audio Rear R ch Connector) Signal Format: AES3, 16 to 24 bits, 32 to 48 kHz, 2 ch Impedance: 110 ohms
	Timecode	Connector Type: XLR type x 1 (Combined use with Audio Rear L ch Connector) Signal Format: SMPTE 12M LTC, Input Level: 0.5 to 18 Vp-p Impedance: 14 k ohms
	Output	i.LINK (Rear)
USB		Connector Type: USB Type B (Hi-Speed USB) x 1 Signal Format: USB Video (DV, MPEG-2 TS), USB Audio (Audio, MIDI)
Dimensions	146 (W) x 210 (D) x 47 (H) mm, 5-3/4 (W) x 8-5/16 (D) x 1-7/8 (H) inches	
Weight	900 g (without AC Adaptor), 2 lbs	

Roland Systems Group

Roland Systems Group, a member of the worldwide group of Roland companies, is dedicated to the support of audio and video professionals demanding excellence in both performance and system design. Through the development and support of video and audio products, we endeavor to improve workflow and maximize creative possibilities.

Ensuring high quality while protecting the environment: Roland is ISO9001 and ISO14001 certified

At Roland, several group companies have obtained ISO9001 certification. In addition, in January 1999, Roland also received ISO14001 international environmental management system certification. We're actively seeking ways to maintain harmony with the environment. (ISO=International Standardization Organization: an organization for the promotion of standardization of international units and terms. They provide different categories of certification: ISO9001 Series certification is a product quality certification for products that undergo a certain level of quality control from the design stage to the after service stage; ISO14001 Series certification is for environment-related standards. Each member of the Roland Group is striving to obtain certification.)

