

# VCT-1170RM

## SERVICE MANUAL

AEP Model

Ver 1.1 2004 04



### SPECIFICATIONS

#### Maximum load

5 kg (11 lb)

#### Panning angle

360 degrees

#### Tilting angle

90 degrees down, 70 degrees up

#### Stages of legs

3 stages

#### Remote control

Function: Recording start/stop, standby/lock, Zooming, Photo mode on/off

Cord length: Approx.

420 mm (16 5/8 inches)

Pan handle length: Approx.

380 mm (15 inches)

#### Dimensions

Maximum height: Approx.

1 505 mm

(59 3/8 inches) (Legs spread at 25 degrees)

Minimum height: Approx.

700 mm (27 5/8 inches) (Legs

spread), Approx. 735 mm

(29 inches) (Legs closed)

#### Mass

Approx. 3.3 kg (7 lb 4 oz)

#### Supplied accessories

Carrying case (1)

Operating instructions (3)

Design and specifications are subject to change without notice.

### Features

The VCT-1170RM is a tripod for video camera recorders and features:

- A Remote Commander built in the pan/tilt handle which allows you to operate (zooming, recording or photo recording) the video camera recorder with a remote control jack. You can use the Remote Commander on the pan/tilt handle with an ordinary grip (down position) or a reverse grip (up position).
- A ball-level for quick and easy level adjustment.
- Smooth panning/tilting with the oil-cylinder pan/tilt handle.
- A built-in counterbalance mechanism to prevent the tripod from toppling over.

## REMOTE CONTROL TRIPOD

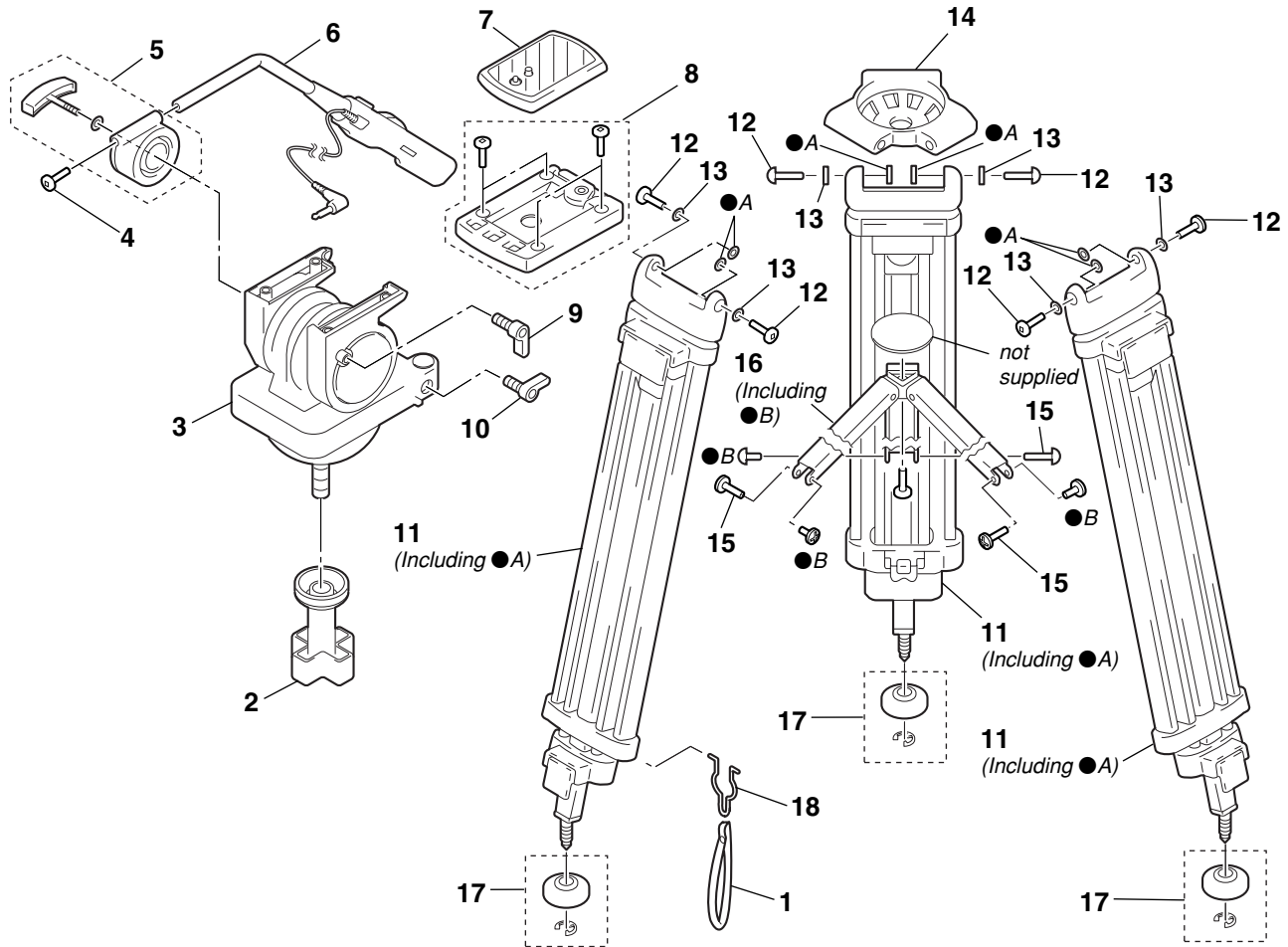
# SONY®

**EXPLODED VIEWS**

**NOTE :**

- -XX, -X mean standardized parts, so they may have some difference from the original one.
- Items marked “\*” are not stocked since they are seldom required for routine service. Some delay should be anticipated when ordering these items.

- The mechanical parts with no reference number in the exploded views are not supplied.



Ref. No.	Part No.	Description
1	3-063-115-01	STRAP
2	3-972-177-01	KNOB, BALL LEVELLER FIXED
* 3	3-972-267-01	HEAD, MAIN ASSY
4	3-061-693-01	SCREW, SHAFT FIXED
5	X-3950-700-1	LOCK ASSY, PAN HANDLE
6	A-7096-167-A	REMOTE CONTROL ASSY, PAN HANDLE
7	3-972-173-01	SHOE, QUICK
8	3-972-174-01	TABLE (ASSY), CAMERA (WITH FIXED LEVER, HEXAGON SOCKET BOLT)
9	3-972-175-01	SCREW, TILT FIXED
10	3-972-176-01	SCREW, PAN FIXED
11	3-972-179-01	LEG
12	7-683-457-04	BOLT, HEXAGON SOCKET 6X20
13	7-688-006-02	W6, SMALL
14	3-972-178-01	RETAINER

Ref. No.	Part No.	Description
15	3-972-181-01	SCREW, STAY FIXED
16	3-972-180-01	STAY
17	3-972-182-01	RUBBER, FERRULE (WITH E WASHER 6)
18	3-062-983-01	RING, TRANSPORT
ACCESSORIES		
*****		
	3-061-695-12	MANUAL, INSTRUCTION (ENGLISH, FRENCH, SPANISH, KOREAN)
	3-061-695-21	MANUAL, INSTRUCTION (GERMAN, DUTCH, SWEDISH, ITALIAN)
	3-061-695-31	MANUAL, INSTRUCTION (PORTUGUESE, RUSSIAN, ARABIC, TRADITIONAL CHINESE)
	3-972-167-01	BAG, TRIPOD

# VCT-1170RM

SONY®

VCT-1170RM  
AEP Model

## SERVICE MANUAL

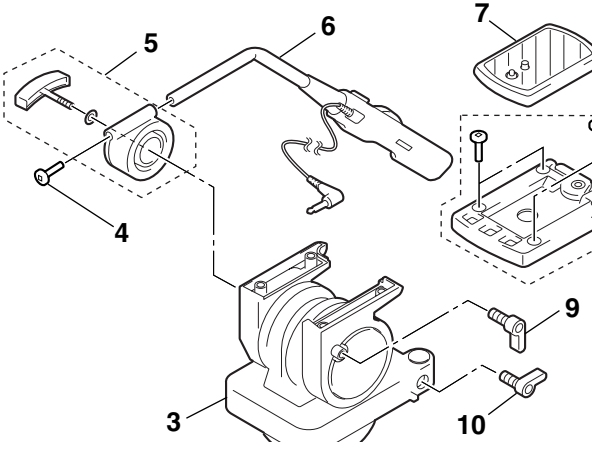
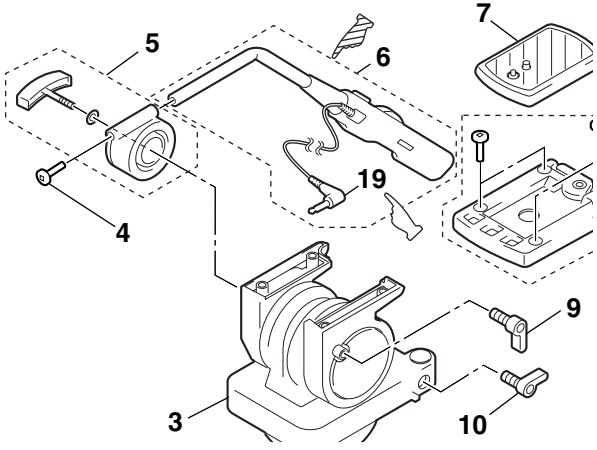


Ver 1.1 2004.04

### SUPPLEMENT-1

File this supplement-1 with the Service Manual.  
(PV04-001)

- Addition of service part

 : Added portion  : Changed portion

Page	Before change	After change												
2														
	<table border="1"> <thead> <tr> <th>Ref. No.</th> <th>Part No.</th> <th>Description</th> </tr> </thead> <tbody> <tr> <td>—</td> <td>—</td> <td>—</td> </tr> </tbody> </table>	Ref. No.	Part No.	Description	—	—	—	<table border="1"> <thead> <tr> <th>Ref. No.</th> <th>Part No.</th> <th>Description</th> </tr> </thead> <tbody> <tr> <td>19</td> <td>1-696-933-81</td> <td>CORD, CONNECTION </td> </tr> </tbody> </table>	Ref. No.	Part No.	Description	19	1-696-933-81	CORD, CONNECTION 
Ref. No.	Part No.	Description												
—	—	—												
Ref. No.	Part No.	Description												
19	1-696-933-81	CORD, CONNECTION 