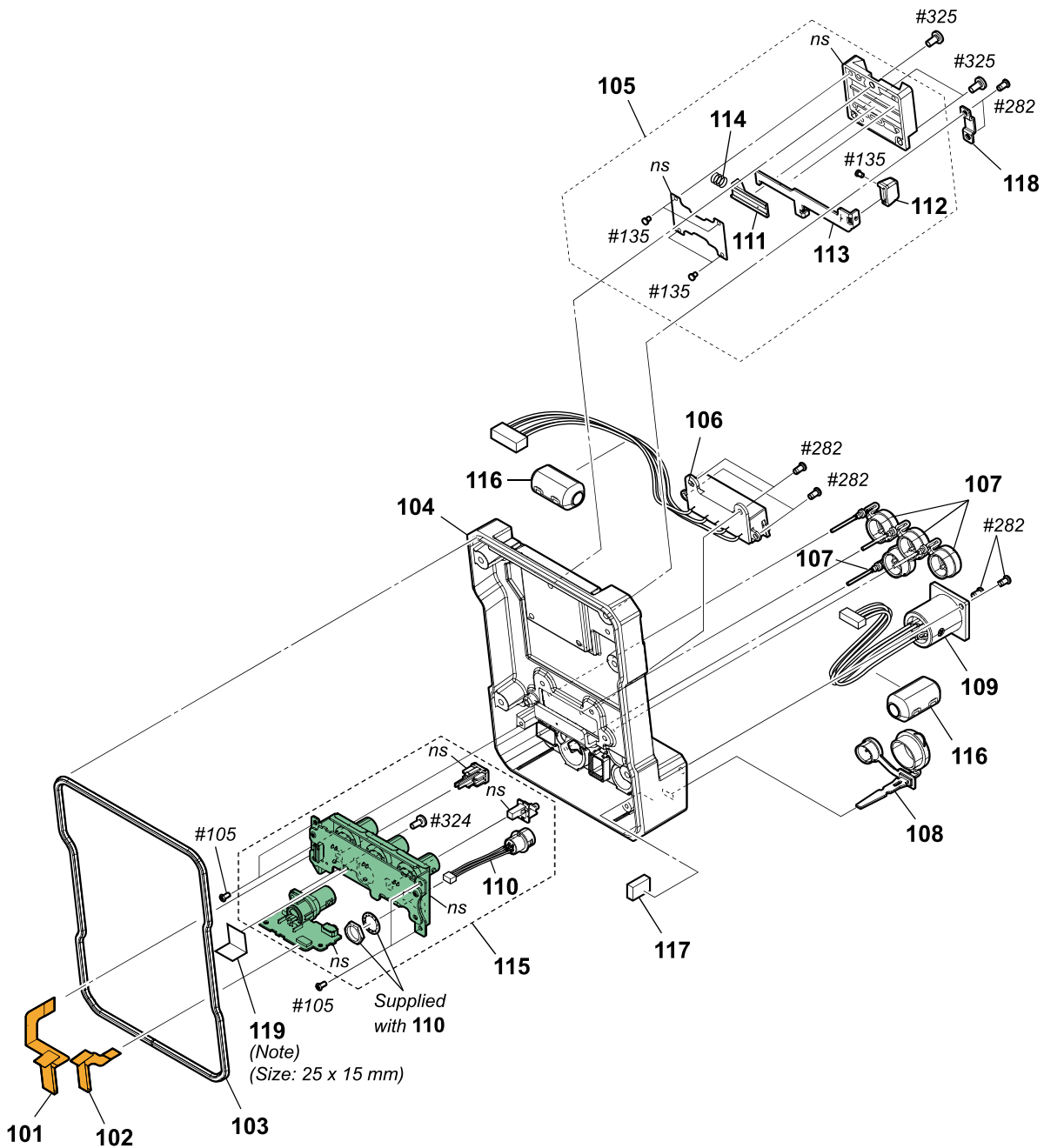


Rear Section



Ref. No. or Q'ty	Part No.	SP Description	Ref. No. or Q'ty	Part No.	SP Description
101	1-894-286-11	FP-243 FLEXIBLE BOARD	116	1-543-793-11	FILTER, CLAMP (FERRITE CORE)
102	1-894-287-11	FP-244 FLEXIBLE BOARD	117	4-477-930-01	GASKET, SHAFT
103	4-546-920-11	PACKING, MAIN	118	3-697-119-03	RETAINER
104	4-547-500-01	CHASSIS, REAR	119	4-566-895-01	TAPE (AS (1550)) (Note)
105	A-8279-000-F	MOUNT, V (B) ASSY	#105	2-891-494-31	SCREW (M2), NEW TRUSTER, P2
106	△ 1-970-520-12	BATTERY HARNESS	#135	7-627-553-28	SCREW, PRECISION +P 2X2.5
107	4-477-897-03	COVER (B), IO	#282	3-694-181-02	TYPE1, AROCK PRECISION +P2.6X5
108	4-547-508-01	CAP (DC)	#324	3-364-941-01	SCREW (+B) (2.6X5), NYLOK
109	△ 1-970-521-11	DCIN HARNESS	#325	3-742-074-11	SCREW (+B 3X8)
110	1-970-519-11	DCOUT HARNESS			
111	3-614-294-01	LOCK, SLIDE (B)			
112	3-614-298-01 *	KNOB, RELEASE LEVER			
113	3-614-295-03	LEVER, RELEASE (B)			
114	3-614-293-01 *	SPRING, COMPRESSION			
115	A-2069-789-A	CONNECTOR BLOCK ASSY			