

Panasonic

AG-TL550

VHS Time-Lapse
Video Cassette Recorder
(PAL)



VHS Time-Lapse Recorder with A Wealth of Recording Functions And Built-in RS-232C Interface

AG-TL550 is a multi-function time-lapse recorder. Over a full week of recording and playback — 240 hours — is possible and includes many advanced features.

The Jog/Shuttle dial makes scene searches quick and accurate, and on-screen menus easily guide you through setting procedures. Also, the advanced Mechanism adds extra reliability to this versatile time-lapse VTR. The built-in RS-232C interface allows direct control of the AG-TL550 from your PC with user-provided software.



VHS
PAL

AG-TL550 VHS Time-Lapse Video Cassette Recorder



Advanced Mechanism

A reinforced capstan motor gives this mechanism the durability it needs for heavy use. Reliability is further boosted by DLC processing, a new low-speed transport design for the time-lapse mode, and an innovative bearing design for the pinch rollers.

Features for Safe Recording

- **Repeat Record Pass Indicator**
The use of worn tapes can cause problems. Each complete tape pass is counted and an indicator alerts you when to replace the used tape.
- **Blue Screen Indication in None Recording Situation**
- **Tape Remain Warning Buzzer**
- **Error Message**
- **Tape End Buzzer**
- **Power Failure Recovery Recording**
- **Dual Rec Lock Function (Rec Lock, Menu)**

Large Choice of Recording Modes

Rec Mode	Rec Time (Max./Approx.)	Interval (1 field)	Audio
VHS	3H	3 hrs.	Yes
	6H	6 hrs.	
Linear Slow	L12H	15 hrs.	No
	L24H	27 hrs.	
Time-Lapse	48H	51 hrs.	No
	72H	75 hrs.	
	96H	99 hrs.	
	120H	123 hrs.	
	168H	171 hrs.	
	180H	183 hrs.	
	240H	243 hrs.	

Simple Design and Operation

To prevent inadvertent operation only three main control buttons are located on the front panel: Record, Rec Review, and Eject.

Valuable Recording Features

- **Alarm Recording (Emergency Recording)**
- **Weekly Timer Recording**
- **Daily Timer Recording**
- **External Timer Recording**
- **Auto Repeat Recording**

Switcher Connection

By using Panasonic (or other compatible) switchers, automatic switching is possible, with the timing for the switcher controlled by the AG-TL550.

Wide Range of Convenient Features

- **Quick, Accurate Jog/Shuttle Searches**
A jog or shuttle function has been added for quickly locating playback sections by using the incorporated search dial.
- **Built-in RS-232C Interface**
Built-in RS-232C interface makes the AG-TL550 suitable for use in large-scale, computer-controlled systems. All basic operations and status checks can be controlled through the RS-232C interface.
- **Built-in Time Date Generator**
- **Summer Time Setting**
- **Alarm Search**
- **Alarm Recall**
- **Quasi-V insertion On/Off**
- **1-week Timer Backup**
- **Camera switching output, Auto-off output/Rec output**
- **Versatile Playback Function**
- **Record Review Function**

Easy Mode Setting with On-Screen Display

The time and date for the display as well as for control of selectable functions is generated by a built-in Time/Date generator. For enhanced ease of mode selection, an on-screen menu includes time setting, internal timer recording, alarm/emergency recording time mode and other functions.

MENU-1

(TIME ADJUST) P1
01- 1-2000 SAT 0:00:00 ← 04-3-2001 SUN 3:25:00
(REC LOCK) MODE : OFF ← OFF/ON
(HOUR METER) 00000H

ex) *4 March, 2001 (Sunday) 3:25* is displayed as below:
04-3-2001 SUN 3:25:00
Note: Seconds are displayed, but not adjustable.

MENU-2

(DISPLAY) POSITION : L-UPPER P2 ← L-UPPER/R-UPPER/L-BOTTOM/R-BOTTOM/CENTRE/OFF
(REC INDICATE) NOT REC : CAMERA ← CAMERA/BLUE
(BUZZER) ALARM : OFF ← OFF/ON
TAPE END : OFF ← OFF/ON
TAPE REMAIN : OFF ← OFF/ON
ERR WARN : OFF ← OFF/ON

MENU-3

(ALARM) MODE : OFF P3 ← OFF/3H/6H
DURATION : 30SEC ← 30SEC/1MIN/2MIN/3MIN/5MIN/10MIN/CONTINUE/MANUAL
(RECALL) - - -
(OUTPUT SELECT) TERMINAL OUT : ERR WARN ← ERR WARN/REC

The date and time, when the ALARM occurred, is displayed "Date-Month-Year-Time (0:00)"
*4 ALARM dates are memorized
*The newest data is displayed on the top

MENU-4

(REC MODE) REC T-MODE : OFF P4 ← OFF/3H/6H/L12H/L24H/48H/72H/96H/120H/168H/180H/240H
TAPE IN : STOP ← STOP/REC/REW/REC
TAPE END : STOP ← STOP/REW/REPEAT/EJECT
(VIDEO MODE) MODE : AUTO ← AUTO/COLOUR/B_W
DETAIL : ON ← ON/OFF

MENU-5

(INTERNAL TIMER REC) P5
(TIMER) START END T-M
SUN OFF
MON OFF
TUE OFF
WED OFF
THU OFF
FRI OFF
SAT OFF
DLY OFF

MENU-6

(SUMMER TIME) MODE : OFF P6 ← OFF/ON
Setting the Start time
(START) (END) ← Setting the end time
WEEK : LST-SUN → LST-SUN
MONTH : 3 → 10
TIME : 2:00 → 2:00
(DIRECT SEARCH) MODE : OFF ← OFF/ON

MENU-7

(RS-232C PARAMETERS) P7
BIT LENGTH : 7BIT ← 7BIT/8BIT
STOP BIT : STOP-1 ← STOP-1/STOP-2
PARITY : ODD ← ODD/EVEN/NOV
BAUD RATE : 9600BPS ← 9600BPS/4800BPS
(MENU LANGUAGE) MODE : ENGLISH ← ENGLISH/FRANCAIS

Specifications

GENERAL

Power Source: 220 - 240V AC ±10%, 50/60Hz
Power Consumption: 20W
Operating Temperature: 5°C - 40°C
Operating Humidity: 35% - 80%
Weight: 3.85 kg
Dimensions (W x H x D): 430 x 86.5 x 293.5 mm

SYSTEM

Television System: CCIR Standard, PAL Colour Signal; 625 lines, 50 fields

Video Recording System: Four rotary heads, helical scanning system (VHS mode)

Modulation System: Luminance: FM azimuth recording
Chrominance: Converted subcarrier phase shift recording

Audio Track: 1 track

TAPE TRANSPORT

Tape Format: VHS tape
Tape Speed: 3H mode: 23.39 mm/sec.
Recording Time Modes: 3/6/L12/L24/48/72/96/120/168/180/240H with E180

FF/REW Time: Less than 2 min. with E180

VIDEO

Line In (BNC): 1.0Vp-p, 75Ω unbalanced
Line Out (BNC): 1.0Vp-p, 75Ω unbalanced
Horizontal Resolution: More than 240 lines (colour/monochrome)
Signal-to-Noise Ratio: 45dB (colour/monochrome, 3H mode)

AUDIO

Line In (RCA): -10dBV, 47kΩ unbalanced
Mic In (M3): -60dBV, 600Ω unbalanced
Line Out (RCA): -8dBV, 1kΩ unbalanced

CONNECTORS

Terminal Input: Alarm, Alarm Reset, REC
Terminal Output: Tape End, Warning/REC
Camera Switching Output: 12V/0V, Pulse width: 20.0 msec.
Remote Control: RS-232C I/F

OPTIONAL ACCESSORY

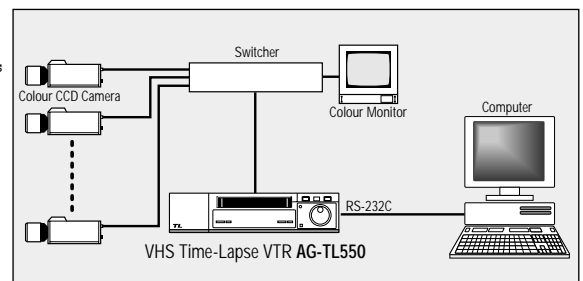
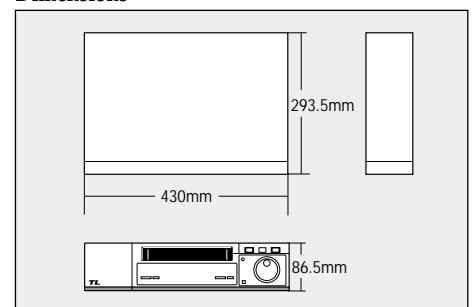
AG-A11: Wired Remote Control

Warning: Unauthorized recording of copyrighted television programs, films, video tapes and other materials may infringe upon the rights of copyright owners and be contrary to copyright laws.

Weight and dimensions shown are approximate. Specifications subject to change without notice.

This product may be subject to export control regulations.

Dimensions



Panasonic

Matsushita Electric Industrial Co., Ltd.
Systems Business Group

2-15 Matsuba-cho, Kadoma, Osaka, 571-8503 Japan
Tel. 81-6-6905-4650 Fax. 81-6-6908-5969

www.panasonic.co.jp/bsd

SP-AGTL550E1



20K107FF-1 Printed in Japan



Certificate No. EC95J1010