

Panasonic

AJ-CM32
DVCPRO Micro Cart



Super-Compact, Half-Rack-Size Automatic Recording/Playback System that Holds 32 Cassettes

The AJ-CM32 is an ultracompact, low-cost video cart system that puts DVCPRO's size advantage to best use. This mini-tower unit fits easily on a desktop and holds 32 DVCPRO large cassettes, for up to 96 hours of recording or playback. With PC control, the AJ-CM32 is ideal for a variety of applications, such as archiving or automatic playback and recording. The robot section of the AJ-CM32 inherits proven Smart Cart technology, giving this unit a high level of performance and reliability in addition to its space saving efficient size.

DVCPRO



AJ-CM32 with AJ-D230H

Ultracompact Mini-Tower Design

With its half-rack width — 214 (W) x 553(H) x 600(D) mm (8-7/16" (W) x 21-13/16" (H) x 23-5/8" (D)), the AJ-CM32 requires little desktop space yet houses a DVCPRO AJ-D230H/D230 VTR and a rotary cassette bin that holds up to 32 L-sized cassettes. The robotic cassette loading and unloading system delivers top efficiency.

96 Hours of Recording or Playback

The ultracompact AJ-CM32 handles a surprisingly large amount of video footage. Load 32 DVCPRO large cassettes, and the AJ-CM32 can provide a full 96 hours of recording or playback with DVCPRO.

Automatic Operation by PC Control

The AJ-CM32 can be controlled by a PC connected to its RS-232C port. A host of third party automated operations are possible with the proper software. Because the RS-232C port is equipped with through output, a single PC can be used to control multiple AJ-CM32 units.*

*software is required

Highly Reliable Robotics

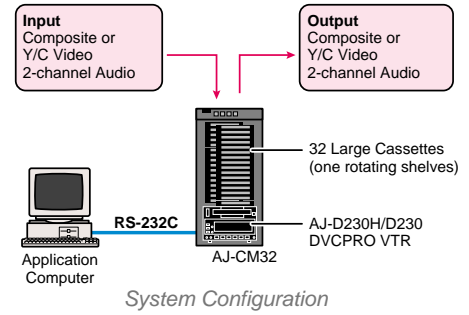
With products such as the Smart-Cart, Panasonic has won high acclaim for its advanced robotics. The AJ-CM32's robotic system combines reliability with speed, providing tape changes in 35 seconds or less.

Seamless Recording with Two or More Units

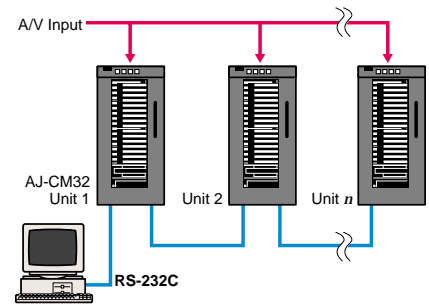
Two or more AJ-CM32s can be controlled simultaneously. Set them for repeated, alternating recording/ standby operation, and they provide continuous recording with no gaps.

Upgrading to DVCPRO50 Also Possible

The AJ-CM32 will also be able to accommodate an AJ-D95DC DVCPRO50 VTR in the future, since it is the same width and height as a DVCPRO VTR. (An interface board and other optional equipment are required.)



System Configuration



Seamless Recording System



Rearside

Specifications (tentative)

Power Requirement:	AC100 to 120 V, AC220 to 240 V ±10%
Power Consumption:	15 to 17 W (without VTR)
Operating Temperature:	5°C to 40°C (41°F to 95°F)
Operating Humidity:	35% to 85% (non-condensing)
Weight:	20 kg (39.7 lbs./without VTR and cassettes)
Dimensions :	214(W) x 553(H) x 600(D) mm (8-7/16" x 21-13/16" x 23-5/8")

Applicable VTR:	AJ-D230H, AJ-D230 Half-rack size DVCPRO VTR
Number of VTR:	1 unit
Applicable Cassette:	DVCPRO L-size cassette
Cassette Capacity:	32 cassettes
Access Time:	Less than 35 seconds (without cue up time)
Robot Control:	RS-232C x 2
VTR Control:	RS-232C x 1

Weight and dimensions shown are approximate. Specifications are subject to change without notice. These products may be subject to export regulations. * AJ-D230 does not playback/record AJ-5P92LP tapes.

Panasonic

Matsushita Electric Industrial Co., Ltd.
Video Systems Division
2-15 Matsuba-cho, Kadoma, Osaka 571-8503
Japan
Tel. 81-6-6901-1161 Fax. 81-6-6908-5969

Argentina Tel. 54-11-4308-1610
Australia Tel. 61-2-9887-6222
Austria Tel. 43-1-61080-773
Belgium Tel. 32-2-481-0481
Brazil Tel. 55-11-889-4031
Canada Tel. 1-905-624-5010
Chile Tel. 56-2-555-5530
China Tel. 86-10-6515-8828
86-10-6515-8828
Czech Republic Tel. 42-02-2166-4120
Denmark Tel. 45-43-200-853
Egypt Tel. 20-2-3938151
Finland Tel. 358-9-521-5253
France Tel. 33-14964388
Germany Tel. 49-611-18160
Greece Tel. 30-1-9899300
Hong Kong Tel. 852-2313-0888
Hungary Tel. 36-1-344-2614

Indonesia Tel. 62-21-801-5666
62-21-385-9449
Iran Tel. 98-21-2271463
Italy Tel. 39-2-67881
Jordan Tel. 961-6-586-1914
Kuwait Tel. 965-481-2123
Lebanon Tel. 961-1-216827
Malaysia Tel. 60-3-755-0511
60-3-757-6622
Mexico, D.F. Tel. 52-5-488-1000
Netherlands Tel. 31-73-6402-505
New Zealand Tel. 64-9-272-0100
Norway Tel. 47-22916800
Oman Tel. 968-565-696
Pakistan Tel. 92-21-455-5766
Panama Tel. 507-229-2955
Peru Tel. 51-145-29470
Philippines Tel. 632-633-6163

Poland Tel. 48-3912-3173
Portugal Tel. 351-1-424-8660
Puerto Rico Tel. 1-787-750-4300
Russia Tel. 095-258-1048
095-795-0424
Saudi Arabia Tel. 966-1-465-0709
Singapore Tel. 65-843-7691/7692
South Africa Tel. 27-11-313-1400
Spain Tel. 34-3-425-9300

Sweden Tel. 46-8-680-8238
Switzerland Tel. 41-41-259-9090
Taiwan Tel. 886-2-2725-9151/9163
Thailand Tel. 66-2-731-9813/8888
Turkey Tel. 90-216-416-0150
U.A.E. Tel. 971-4-719000
U.K. Tel. 44-118-902-9223
U.S.A. Tel. 1-323-436-3500



Certificate No. EC95J1010

ISO9001 / BS5750 : PART 1
FM No. 28369

