



ITB 302

Digital perfection. DSP, advanced technology and superb quality

AEV, having affirmed its position as a world leader in the field of Studio and Reportage telephone area, has excellent once more with its new digital telephone hybrid ITB 302.

ITB 302 offers leading-edge solutions in all digital telephone broadcast applications, teleconferencing and communications, guaranteeing the highest levels of telephone quality and user-friendly operativity.

ITB 302 is a dual line hybrid that features the indispensable mix-minus system. The quality derived from this hybrid is of particular benefit during multi-line conferences and ensures elimination of the Larsen effect, even with poor quality telephone lines.

ITB 302 uses advanced **DSP technology**, producing a perfectly natural audio during telephone conversations; a sophisticated echo-cancellation system ensures a crystal-clear audio output bringing to the listener the very highest quality sound.

ITB 302 automatically adapts to all types of telephone lines and eliminates, on each new call, any speaker's voice modification or distortion thanks to the advanced digital techniques used.

CHARACTERISTICS AND FEATURES

- CAPABLE OF CONNECTING MORE THAN ONE ITB 302, TO INTERFACE UPTO "N" TELEPHONE LINES INDEPENDENTLY, OR IN CONFERENCE MOD (INTEGRATED MIX-MINUS SYSTEM)
- EXCEPTIONAL VERSATILITY THANKS TO CONNECTION TO 2, 4 WIRE LINES AND GSM
- INDEPENDENT ADJUSTMENT OF TRANSMISSION AND RECEPTION LEVELS
- LED METER FOR INSTANT DISPLAY OF TRANSMISSION AND RECEPTION LEVELS
- INDEPENDENT BALANCED AUDIO INPUTS AND OUTPUTS FOR ALL TELEPHONE LINES
- BALANCED AUDIO INPUTS AND OUTPUTS FOR CONFERENCES
- PRECISION BAND-PASS FILTER TO CLEAN UP NOISE AND HUM FROM THE TELEPHONE LINES
- OPTIONAL REMOTE CONTROLLER
- SOPHISTICATED DIGITAL DSP ECHO/CANCELLER

**2 YEARS
WARRANTY**



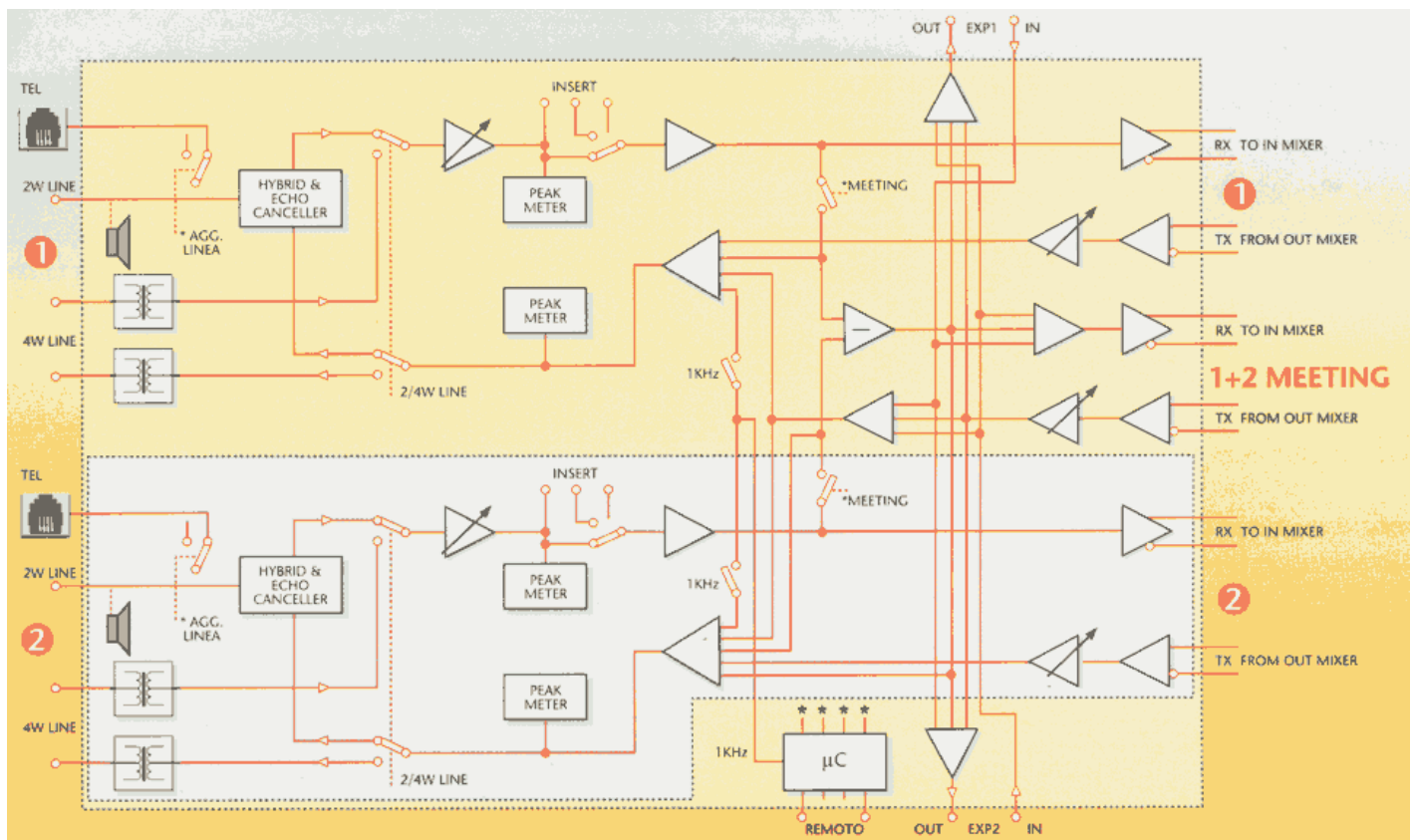
ITB 302

Digital perfection. DSP, advanced technology and superb quality



TECHNICAL SPECIFICATIONS

AUDIO INPUT (SEND 1 AND 2)	Input Impedance: Greater than 10 K Ω electronically balanced Input Level Range: Adjustable by ± 12 dBu Connectors: XLR type-female, Pin 1 GND, Pin 2 Inphase, Pin 3 Return, Pin 2 and 3 electronically balanced
AUDIO OUTPUT (RECEIVE 1 AND 2)	Output Impedance: 100 Ω electronically balanced Nominal Output Level: 0 dBm adjustable between -6 and +12 dBu Maximum Output Level: + 16 dBm Connectors: XLR type-male, Pin 1 GND, Pin 2 Inphase, Pin 3 Return, Pin 2 and 3 electronically balanced
IN/OUT CONFERENCING AUDIO	Input Impedance: Greater than 10 K Ω electronically balanced Input Level Range: Adjustable by ± 12 dBu Output Impedance: 100 Ω electronically balanced Nominal Output Level: 0 dBu adjustable between -6 and +12 dBu Connectors: 9 Pin Subminiature Cannon female
HYBRID CIRCUIT	Standard specification ETS 300001 (NET 4) Impedance: 600 Ω typ. RX Level: -20 \pm 0 dBu (with automatic adjustment) TX Level: -8 dBu (with automatic adjustment) Hybrid Null: -40 dB full band Frequency Response: 230 Hz \pm 3400 Hz Distortion: 0,8 % Connector: RJ 11
4 WIRE SECTION	Impedance: 600 Ω transformer balanced RX Level: -12 \pm +12 dBu TX Level: 0 dBu Frequency Response: 50 Hz \pm 20 KHz (-0,5 dB) Distortion: 0,8 % Noise: Greater than 76 dB Crosstalk: Greater than 75 dB Connector: RJ 11
GENERAL DATA	Power Supply: 87 \pm 265 VAC 50 \pm 60 Hz Power Requirement: 12 VA Dimensions: 19" rackmount 1 unit Weight: 4,2 Kg



AEV reserves the right to modify this informations without any notice